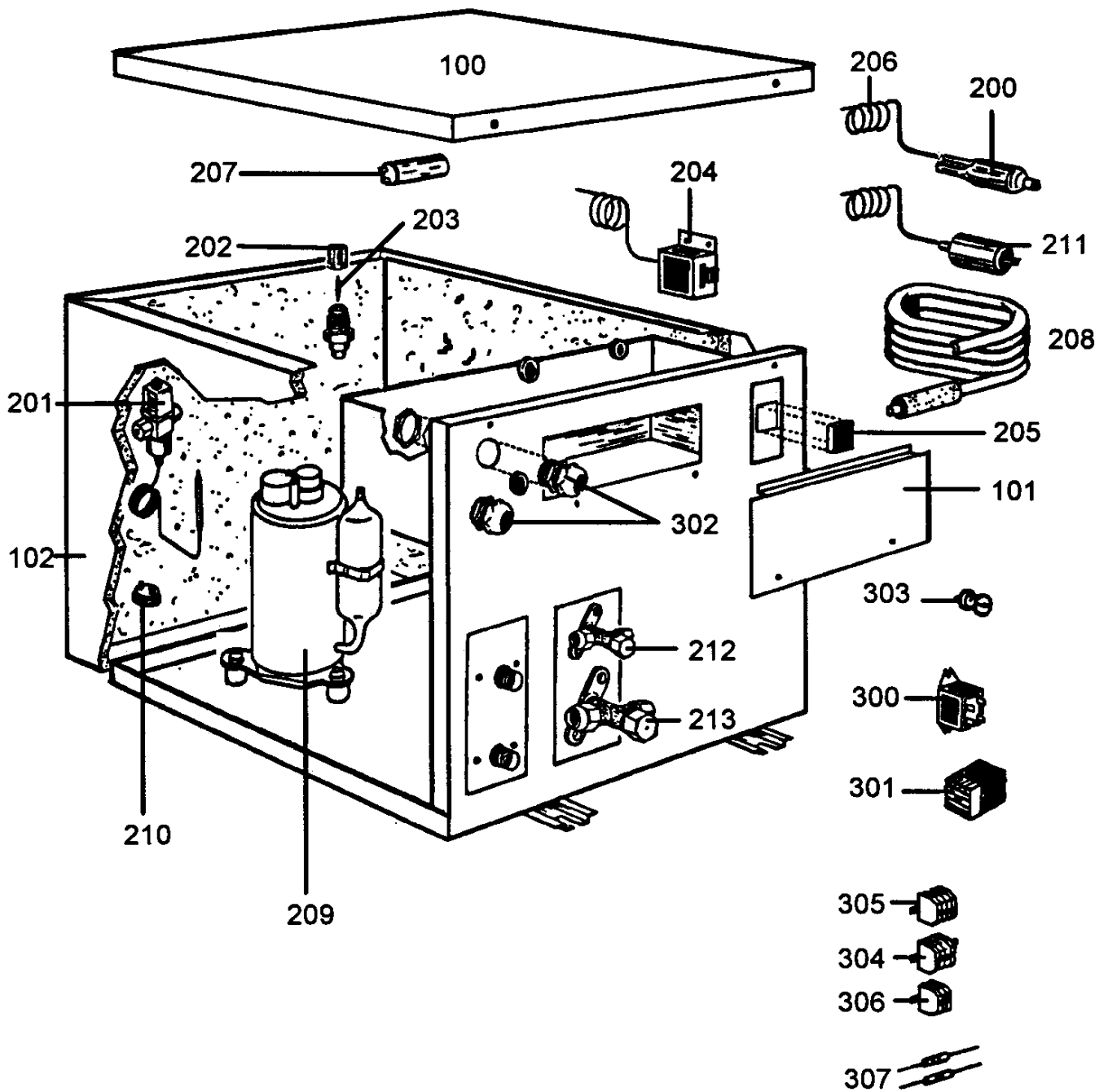


GRUPE DE CONDENSATION GCAO 7F - 9F - 11F - 15F - 18F - 24F - 30F



Création le 19/01/2000

TH 2899

Brand :Electra Model : UCA 9 F / R407C

Product Number : ESP101031

Internal number : 3669

Version : Cooling only 230/1/50

Spare parts list used

Loc	Spare parts code	Replaced by	Qty	Description	Observation
102	9305086C+03-88		1	Belt	
202	252016		1	Cap 1/4" F	
207	233035		1	Capacitor 25uF/400V screw	
206	361077		1	Capillary 51/53 brown	
209	265287		1	Compressor Tecumseh RK5512C/R407C (rotary)	
100	9303747C+03-88		1	Cover	
101	9302115C-88		1	Door	
212	224189		1	Flare union 1/4" straight outlet with valve	
213	224181		1	Flare union 3/8" straight outlet with valve	
204	232125		1	HP switch manual P20GA9952-315PSI JC screw type	
302	900017		2	Packing gland + nut CM16	
205	374083		1	Pressure switch cover	
201	224042		1	Pressure-sensitive valve V46AA9604-3/8"	
210	232237		1	Protector MTS 24AMN 0201	
200	221021		1	Refrigerant filter	
300	230356		1	Relay Finder NO 65-31-8-230-0300	
307	900095		1	Resistor 4.7Kohms/0.25W (set of 10)	
203	222011		1	Valve mechanism	
208	942511109		1	Water-cooled condenser	

Brand :Electra Model : UCA 9S / R407C

Product Number : 7SP101031A

Internal number : 2663

Version : Cooling only 230/1/50

Spare parts list used

Loc	Spare parts code	Replaced by	Qty	Description	Observation
102	9305086C+03-88		1	Belt	
202	252016		1	Cap 1/4" F	
207	233035		1	Capacitor 25uF/400V screw	
206	361077		1	Capillary 51/53 brown	
209	265287		1	Compressor Tecumseh RK5512C/R407C (rotary)	
100	9303747C+03-88		1	Cover	
101	9302115C-88		1	Door	
212	224189		1	Flare union 1/4" straight outlet with valve	
213	224181		1	Flare union 3/8" straight outlet with valve	
204	232125		1	HP switch manual P20GA9952-315PSI JC screw type	
302	900017		2	Packing gland + nut CM16	
205	374083		1	Pressure switch cover	
201	224042		1	Pressure-sensitive valve V46AA9604-3/8"	
210	232237		1	Protector MTS 24AMN 0201	
200	221021		1	Refrigerant filter	
300	230356		1	Relay Finder NO 65-31-8-230-0300	
307	900095		1	Resistor 4.7Kohms/0.25W (set of 10)	
203	222011		1	Valve mechanism	
208	942511109		1	Water-cooled condenser	

Brand :Electra Model : UCA 11 F / R407C

Product Number : ESP101032

Internal number : 3670

Version : Cooling only 230/1/50

Spare parts list used

Loc	Spare parts code	Replaced by	Qty	Description	Observation
102	9305086C+03-88		1	Belt	
202	252016		1	Cap 1/4" F	
207	233035		1	Capacitor 25uF/400V screw	
206	361072		1	Capillary 40/42 yellow	
209	265288		1	Compressor Tecumseh RK5513C/R407C (rotary)	
100	9303747C+03-88		1	Cover	
101	9302115C-88		1	Door	
213	224182		1	Flare union 1/2" straight outlet with valve	
212	224189		1	Flare union 1/4" straight outlet with valve	
204	232125		1	HP switch manual P20GA9952-315PSI JC screw type	
302	900017		2	Packing gland + nut CM16	
205	374083		1	Pressure switch cover	
201	224042		1	Pressure-sensitive valve V46AA9604-3/8"	
210	232277		1	Protector MST 22AKT/H144	
200	221021		1	Refrigerant filter	
300	230356		1	Relay Finder NO 65-31-8-230-0300	
307	900095		1	Resistor 4.7Kohms/0.25W (set of 10)	
203	222011		1	Valve mechanism	
208	942511109		1	Water-cooled condenser	

Brand :Electra Model : UCA 11S / R407C

Product Number : 7SP101032A

Internal number : 2664

Version : Cooling only 230/1/50

Spare parts list used

Loc	Spare parts code	Replaced by	Qty	Description	Observation
102	9305086C+03-88		1	Belt	
202	252016		1	Cap 1/4" F	
207	233035		1	Capacitor 25uF/400V screw	
206	361072		1	Capillary 40/42 yellow	
209	265288		1	Compressor Tecumseh RK5513C/R407C (rotary)	
100	9303747C+03-88		1	Cover	
101	9302115C-88		1	Door	
213	224182		1	Flare union 1/2" straight outlet with valve	
212	224189		1	Flare union 1/4" straight outlet with valve	
204	232125		1	HP switch manual P20GA9952-315PSI JC screw type	
302	900017		2	Packing gland + nut CM16	
205	374083		1	Pressure switch cover	
201	224042		1	Pressure-sensitive valve V46AA9604-3/8"	
210	232277		1	Protector MST 22AKT/H144	
200	221021		1	Refrigerant filter	
300	230356		1	Relay Finder NO 65-31-8-230-0300	
307	900095		1	Resistor 4.7Kohms/0.25W (set of 10)	
203	222011		1	Valve mechanism	
208	942511109		1	Water-cooled condenser	

Brand :Electra Model : UCA 15 F / R407C

Product Number : ESP101033

Internal number : 3671

Version : Cooling only 230/1/50

Spare parts list used

Loc	Spare parts code	Replaced by	Qty	Description	Observation
102	9305086C+03-88		1	Belt	
202	252016		1	Cap 1/4" F	
207	233042		1	Capacitor 35uF/400V screw	
206	361067		1	Capillary 28/30 grey	
209	265289		1	Compressor UH RK5518C/R407C 230/1/50 (rotary)	
301	230367		1	Contacteur LC1 D183 U7	
100	9303747C+03-88		1	Cover	
101	9302115C-88		1	Door	
213	224182		1	Flare union 1/2" straight outlet with valve	
212	224189		1	Flare union 1/4" straight outlet with valve	
204	232125		1	HP switch manual P20GA9952-315PSI JC screw type	
302	900017		2	Packing gland + nut CM16	
205	374083		1	Pressure switch cover	
201	224042		1	Pressure-sensitive valve V46AA9604-3/8"	
210	232329		1	Protector TO 653/89	
200	221021		1	Refrigerant filter	
307	900095		1	Resistor 4.7Kohms/0.25W (set of 10)	
203	222011		1	Valve mechanism	
208	942511109		1	Water-cooled condenser	

Brand :Electra Model : UCA 15S / R407C

Product Number : 7SP101033A

Internal number : 2665

Version : Cooling only 230/1/50

Spare parts list used

Loc	Spare parts code	Replaced by	Qty	Description	Observation
102	9305086C+03-88		1	Belt	
202	252016		1	Cap 1/4" F	
207	233042		1	Capacitor 35uF/400V screw	
206	361067		1	Capillary 28/30 grey	
209	265289		1	Compressor UH RK5518C/R407C 230/1/50 (rotary)	
301	230367		1	Contacteur LC1 D183 U7	
100	9303747C+03-88		1	Cover	
101	9302115C-88		1	Door	
213	224182		1	Flare union 1/2" straight outlet with valve	
212	224189		1	Flare union 1/4" straight outlet with valve	
204	232125		1	HP switch manual P20GA9952-315PSI JC screw type	
302	900017		2	Packing gland + nut CM16	
205	374083		1	Pressure switch cover	
201	224042		1	Pressure-sensitive valve V46AA9604-3/8"	
210	232329		1	Protector TO 653/89	
200	221021		1	Refrigerant filter	
307	900095		1	Resistor 4.7Kohms/0.25W (set of 10)	
203	222011		1	Valve mechanism	
208	942511109		1	Water-cooled condenser	

Brand :Electra Model : UCA 18 F / R407C

Product Number : ESP101034

Internal number : 3672

Version : Cooling only 230/1/50

Spare parts list used

Loc	Spare parts code	Replaced by	Qty	Description	Observation
102	9305086C+03-88		1	Belt	
202	252016		1	Cap 1/4" F	
207	233042		1	Capacitor 35uF/400V screw	
206	361067		1	Capillary 28/30 grey	
209	265326		1	Compressor UH FH5524C/230/R407C	internal protector
301	230367		1	Contacteur LC1 D183 U7	
100	9303747C+03-88		1	Cover	
101	9302115C-88		1	Door	
212	224181		1	Flare union 3/8" straight outlet with valve	
213	224188		1	Flare union 5/8" straight outlet with valve	
204	232125		1	HP switch manual P20GA9952-315PSI JC screw type	
302	900017		2	Packing gland + nut CM16	
205	374083		1	Pressure switch cover	
201	224042		1	Pressure-sensitive valve V46AA9604-3/8"	
200	221021		1	Refrigerant filter	
307	900095		1	Resistor 4.7Kohms/0.25W (set of 10)	
203	222011		1	Valve mechanism	
208	942511109		1	Water-cooled condenser	

Brand :Electra Model : UCA 18S / R407C

Product Number : 7SP101034A

Internal number : 2666

Version : Cooling only 230/1/50

Spare parts list used

Loc	Spare parts code	Replaced by	Qty	Description	Observation
102	9305086C+03-88		1	Belt	
202	252016		1	Cap 1/4" F	
207	233042		1	Capacitor 35uF/400V screw	
206	361067		1	Capillary 28/30 grey	
209	265326		1	Compressor UH FH5524C/230/R407C	internal protector
301	230367		1	Contacteur LC1 D183 U7	
100	9303747C+03-88		1	Cover	
101	9302115C-88		1	Door	
212	224181		1	Flare union 3/8" straight outlet with valve	
213	224188		1	Flare union 5/8" straight outlet with valve	
204	232125		1	HP switch manual P20GA9952-315PSI JC screw type	
302	900017		2	Packing gland + nut CM16	
205	374083		1	Pressure switch cover	
201	224042		1	Pressure-sensitive valve V46AA9604-3/8"	
200	221021		1	Refrigerant filter	
307	900095		1	Resistor 4.7Kohms/0.25W (set of 10)	
203	222011		1	Valve mechanism	
208	942511109		1	Water-cooled condenser	

Brand :Electra Model : UCA 24 F / R407C

Product Number : ESP101035

Internal number : 3673

Version : Cooling only 230/1/50

Spare parts list used

Loc	Spare parts code	Replaced by	Qty	Description	Observation
102	9305086C+18-88		1	Belt	
202	252016		1	Cap 1/4" F	
207	233203		1	Capacitor 45uF/400V	
206	361069		2	Capillary 37/39 green	
209	265426		1	Compressor UH FH5532C/230/R407C	
301	230367		1	Contacteur LC1 D183 U7	
100	9303747C+18-88		1	Cover	
101	9302115C-88		1	Door	
211	221240		1	Dryer filter WAH 083S 3/8"	
212	224181		1	Flare union 3/8" straight outlet with valve	
213	224188		1	Flare union 5/8" straight outlet with valve	
204	232125		1	HP switch manual P20GA9952-315PSI JC screw type	
302	900017		2	Packing gland + nut CM16	
205	374083		1	Pressure switch cover	
201	224312		1	Pressure-sensitive valve V46SA9951-2x3/8"	
307	900095		1	Resistor 4.7Kohms/0.25W (set of 10)	
303	233121		1	Starting resistor CTP9EA	
203	222011		1	Valve mechanism	
208	942508918		1	Water-cooled condenser	

Brand :Electra Model : UCA 24S / R407C

Product Number : 7SP101035A

Internal number : 2669

Version : Cooling only 230/1/50

Spare parts list used

Loc	Spare parts code	Replaced by	Qty	Description	Observation
102	9305086C+18-88		1	Belt	
202	252016		1	Cap 1/4" F	
207	233203		1	Capacitor 45uF/400V	
206	361069		2	Capillary 37/39 green	
209	265426		1	Compressor UH FH5532C/230/R407C	
301	230367		1	Contacteur LC1 D183 U7	
100	9303747C+18-88		1	Cover	
101	9302115C-88		1	Door	
211	221240		1	Dryer filter WAH 083S 3/8"	
212	224181		1	Flare union 3/8" straight outlet with valve	
213	224188		1	Flare union 5/8" straight outlet with valve	
204	232125		1	HP switch manual P20GA9952-315PSI JC screw type	
302	900017		2	Packing gland + nut CM16	
205	374083		1	Pressure switch cover	
201	224312		1	Pressure-sensitive valve V46SA9951-2x3/8"	
307	900095		1	Resistor 4.7Kohms/0.25W (set of 10)	
303	233121		1	Starting resistor CTP9EA	
203	222011		1	Valve mechanism	
208	942508918		1	Water-cooled condenser	

Brand :Electra Model : UCA 30 F / R407C

Product Number : ESP101036

Internal number : 3674

Version : Cooling only 400/3/50

Spare parts list used

Loc	Spare parts code	Replaced by	Qty	Description	Observation
102	9305086C+18-88		1	Belt	
202	252016		1	Cap 1/4" F	
206	361067		2	Capillary 28/30 grey	
209	265423		1	Compressor UH TFH5542C/400/3/R407C	
301	230367		1	Contacteur LC1 D183 U7	
100	9303747C+18-88		1	Cover	
101	9302115C-88		1	Door	
211	221240		1	Dryer filter WAH 083S 3/8"	
212	224181		1	Flare union 3/8" straight outlet with valve	
213	224188		1	Flare union 5/8" straight outlet with valve	
204	232125		1	HP switch manual P20GA9952-315PSI JC screw type	
302	900017		2	Packing gland + nut CM16	
205	374083		1	Pressure switch cover	
201	224312		1	Pressure-sensitive valve V46SA9951-2x3/8"	
307	900095		1	Resistor 4.7Kohms/0.25W (set of 10)	
203	222011		1	Valve mechanism	
208	942508919		1	Water-cooled condenser	

Brand :Electra Model : UCA 30 TS

Product Number : 7SP101036A

Internal number : 2670

Version : Cooling only 400/3/50

Spare parts list used

Loc	Spare parts code	Replaced by	Qty	Description	Observation
102	9305086C+18-88		1	Belt	
202	252016		1	Cap 1/4" F	
206	361067		2	Capillary 28/30 grey	
209	265423		1	Compressor UH TFH5542C/400/3/R407C	
301	230367		1	Contacteur LC1 D183 U7	
100	9303747C+18-88		1	Cover	
101	9302115C-88		1	Door	
211	221240		1	Dryer filter WAH 083S 3/8"	
212	224181		1	Flare union 3/8" straight outlet with valve	
213	224188		1	Flare union 5/8" straight outlet with valve	
204	232125		1	HP switch manual P20GA9952-315PSI JC screw type	
302	900017		2	Packing gland + nut CM16	
205	374083		1	Pressure switch cover	
201	224312		1	Pressure-sensitive valve V46SA9951-2x3/8"	
307	900095		1	Resistor 4.7Kohms/0.25W (set of 10)	
203	222011		1	Valve mechanism	
208	942508919		1	Water-cooled condenser	