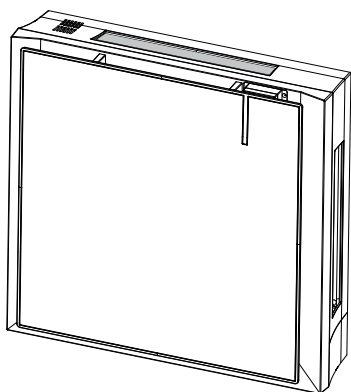


# OPERATING MANUAL

## CONTENT

FEATURES AND FUNCTIONS ....	1
PRECAUTIONS .....	2
NAME OF EACH PART .....	3
OPERATION TIPS .....	5
CARE AND MAINTENANCE .....	6
TROUBLESHOOTING .....	7



**Thank you for  
purchasing our  
Room Air Conditioner.**

Before using your air-conditioner, please read this operating instruction carefully and keep it for future reference.

# FEATURES AND FUNCTIONS

## AUTO CHANGEOVER

The operation mode (cooling, dry, heating) is switched automatically to maintain the set temperature, and the set temperature is kept constant at all times.

## WIRELESS REMOTE CONTROL UNIT

The Wireless Remote Control Unit allows convenient control of air conditioner operation.

## OPERATING TEMPERATURE RANGE

		Indoor		Outdoor	
		DB[°C]	WB[°C]	DB[°C]	WB[°C]
Cooling	Upper Limit	32	23	46	NA
	Lower Limit	21	15	10	NA
Heating	Upper Limit	27	NA	24	18
	Lower Limit	10	NA	-9	-10

## SLEEP TIMER

When the SLEEP button is pressed during Heating mode, the air conditioner's the thermostat setting is gradually lowered during the period of operation; during cooling mode, the thermostat setting is gradually raised during the period of operation. When the set time is reached , the unit automatically turns off.

# PRECAUTIONS



## Danger

This sign warns of death or serious injury.

- Do not attempt to install this air conditioner by yourself.
- This unit contains no user-serviceable parts. Always consult authorized service personnel for repairs.
- When moving, consult authorized service personnel for disconnection and installation of the unit.
- Do not become excessively chilled by staying for lengthy periods in the direct cooling airflow.
- Do not insert fingers or objects into the outlet port or intake grilles.
- Do not start and stop air conditioner operation by disconnecting the power supply cord and so on.
- Take care not to damage the power supply cord.
- In the event of a malfunction (burning smell, etc.), immediately stop operation, disconnect the power supply plug, and consult authorized service personnel.
- If the power supply cord of this appliance is damaged, it should only be replaced by the authorized service personal, since special purpose tools and specified cord are required.



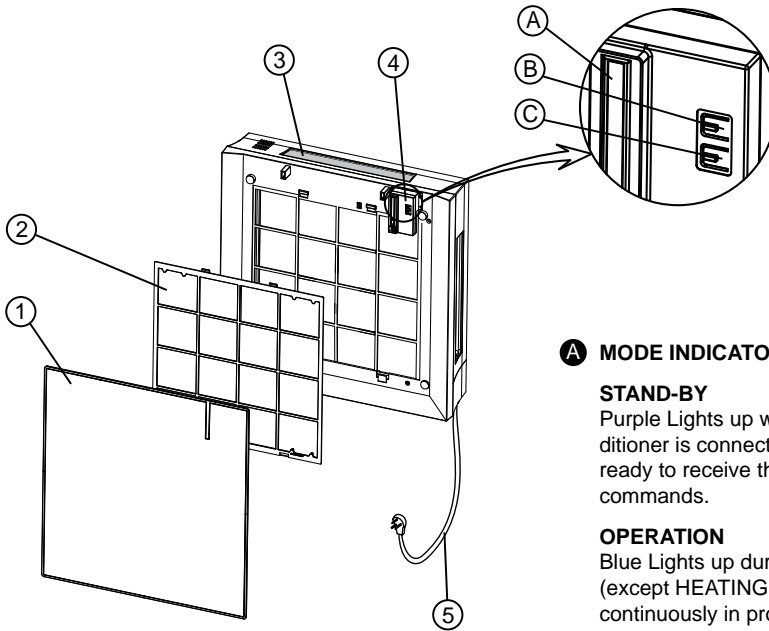
## Caution

This sign warns of damage to property.

- Provide occasional ventilation during use.
- Do not direct air flow at fireplaces or heating apparatus.
- Do not climb on, or place objects on, the air conditioner.
- Do not hang objects from the indoor unit.
- Do not set flower vases or water containers on top of air conditioners.
- Do not expose the air conditioner directly to water.
- Do not pull power supply cord.
- Turn off power source when not using the unit for extended periods.
- Check the condition of the installation stand for damage.
- Do not place animals or plants in the direct path of the air flow.
- Do not drink the water drained from the air conditioner.
- Do not use in appliance involving the storage of foods, plants or animals, precision equipment, or art works.
- Connection valves become hot during Heating; handle with care.
- Do not apply any heavy pressure to radiator fins.
- Operate only with air filters installed.
- Do not block or cover the intake grille and outlet port.
- Ensure that any electronic equipment is at least one metre away from either the indoor or outdoor units.
- Avoid installing the air conditioner near a fireplace or other heating apparatus.
- When installing the indoor and outdoor unit, take precautions to prevent access to infants.
- Do not use inflammable gases near the air conditioner.

# NAME OF EACH PART

## INDOOR UNIT



- ① Air intake grille
- ② Air filter
- ③ Supply air flap (louver)-4 sides
- ④ Unit's indicator and on unit control
- ⑤ Power cord

### A MODE INDICATOR

#### STAND-BY

Purple Lights up when the air conditioner is connected to power and ready to receive the remote control commands.

#### OPERATION

Blue Lights up during operation (except HEATING MODE). Blinks continuously in protection mode.

#### HEATING

Red Lights up when HEATING mode is selected.

### B COOL/HEAT/OFF/ON UNIT OPERATION BUTTON

Used to switch the unit OFF or to turn it ON for COOLING or HEATING without the use of the remote control.

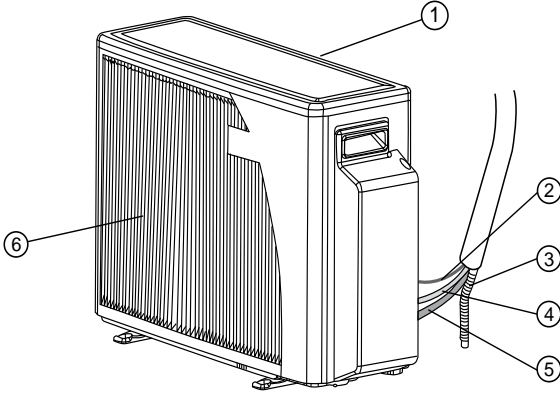
### C RESET BUTTON

Press to cancel the buzzer announcer, if selected.

If the air-conditioner can not be operated by the remote control unit, it can be turned on for cooling or heating, or completely turned off, by pressing MODE button (B) on the controller. The MODE button will change the operating status of the unit between COOLING-HEATING-STAND BY positions.

# NAME OF EACH PART

## OUTDOOR UNIT



- ① Outdoor unit air intake
- ② Power cable
- ③ Condensate tube
- ④ Liquid line
- ⑤ Suction line
- ⑥ Outdoor unit air outlet

# OPERATION TIPS

- Set a suitable room temperature; excessively low room temperature is not good for your health and wastes electricity. Avoid frequent setting of the temperature.
- During cooling, avoid direct sun. Keep curtains and blinds closed. Close doors and windows to keep the cool air in the room.
- Avoid generating heat or using of heating appliances while the air conditioner in cooling mode.
- During prolonged operation, ventilate the room occasionally by opening a window from time to time.
- In a power failure, the microprocessor memory is retained. When restarted, operation will be resumed in the last mode of operation. However, if the timer was used, the unit will be turned off by the timer only if the remote control is aimed at the unit. Otherwise the power failure will cause the timer data to be erased from the microprocessor memory.
- After turning on, allow more than 3 minutes for cooling, heating or dry operation to start.
- When DRY mode is used, make sure that the room temperature is between 20°C and 27°C. When used out of this range, the unit may protect itself and become inoperative.
- When COOL or DRY modes are used, make sure that the room's relative humidity is below 78%. If the unit is used for a prolonged periods of time in high humidity, moisture may form on the air outlet and drip down.
- Remote control signals may not be received if the indoor unit controls cover is exposed to direct sunlight or strong light. In such a case, block the sunlight or dim the lighting.
- The remote control is operative in a range of 8 meters. If you are out of range, the remote control may have difficulties in transmitting signals.

# CARE AND MAINTENANCE

Before performing and maintenance procedure, be sure to disconnect the air conditioner from the power source.

## CLEANING THE AIR FILTER

- To remove the air filter, lift up the grille ① slightly and remove it. Push the air filter ② up slightly to unlock it. Pull out the filter clean it by washing in warm soapy water and dry thoroughly. Align and fit the filter in place. Close the grille by pushing it on its hinges and lock it in place.

**DO NOT OPERATE THE UNIT WITHOUT AIR FILTERS !**

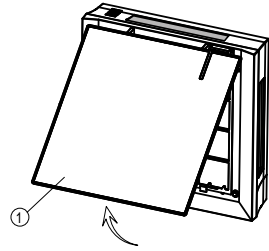


Figure 1

## CLEANING THE AIR CONDITIONER

- The front grilles can be removed and cleaned separately.
- Raise up the grille ① slightly and pull it out of the unit.
- Wipe the unit and the grille with a soft dry cloth and put the grille back after cleaning.
- Do not use hot water or volatile materials which could damage the surface of the air conditioner.

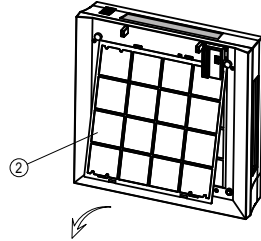


Figure 2

## AT THE BEGINNING OF THE SEASON

- Make sure there are no obstacles blocking the flow of inlet or outlet air, in both indoor and outdoor units.
- Make sure the power is properly connected.

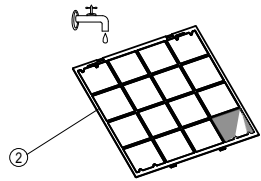


Figure 3

## PROTECT THE ELECTRONIC SYSTEM

- Indoor unit and remote control must be at least 1 meter away from TV, radio or any other home electronic appliance.
- Protect the inner unit from direct sun or lighting

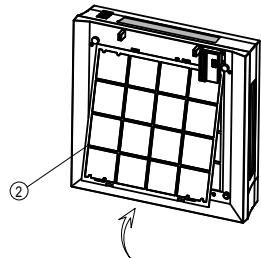


Figure 4

# TROUBLESHOOTING

Before calling for service, please check the following common malfunctions and correct it as needed.

Problem	Cause	Remedy
<ul style="list-style-type: none"> <li>Unit does not operate. Stand-by indicator does not light up</li> </ul>	<ul style="list-style-type: none"> <li><input type="checkbox"/> Unit not connected to power</li> <li><input type="checkbox"/> Power failure</li> </ul>	<ul style="list-style-type: none"> <li>■ Plug in the power cord</li> <li>■ Check main fuse</li> </ul>
<ul style="list-style-type: none"> <li>Unit does not operate. Stand-by indicator lights.</li> </ul>	<ul style="list-style-type: none"> <li><input type="checkbox"/> Remote control malfunctions</li> <li><input type="checkbox"/> The remote control is locked</li> </ul>	<ul style="list-style-type: none"> <li>■ Check remote control batteries</li> <li>■ Try to operate from a closer distance</li> <li>■ Start from on-unit controls</li> <li>■ Unlock the remote control</li> </ul>
<ul style="list-style-type: none"> <li>Unit does not respond properly to remote control command</li> </ul>	<ul style="list-style-type: none"> <li><input type="checkbox"/> IR signal does not reach unit</li> <li><input type="checkbox"/> Distance between remote control and unit too large or aimed at from improper angle</li> <li><input type="checkbox"/> IR receiver on-unit exposed to strong light source</li> </ul>	<ul style="list-style-type: none"> <li>■ Check for obstruction between unit and remote control. Clear if needed.</li> <li>■ Get closer to unit.</li> <li>■ Dim lights, fluorescents especially</li> </ul>
<ul style="list-style-type: none"> <li>Air does not blow out from indoor unit</li> </ul>	<ul style="list-style-type: none"> <li><input type="checkbox"/> De-icing protection mode is activated</li> <li><input type="checkbox"/> Unit in AUTO FAN mode</li> <li><input type="checkbox"/> Over cooling in DRY</li> </ul>	<ul style="list-style-type: none"> <li>■ Normal operation in HEATING mode</li> <li>■ Normal operation in DRY mode</li> </ul>
<ul style="list-style-type: none"> <li>COOLING, DRY or HEATING does not start immediately</li> </ul>	<ul style="list-style-type: none"> <li><input type="checkbox"/> 3-min. Compressor delayed start</li> </ul>	<ul style="list-style-type: none"> <li>■ Normal operation for these modes</li> </ul>
<ul style="list-style-type: none"> <li>Unit functions but does not perform sufficiently</li> </ul>	<ul style="list-style-type: none"> <li><input type="checkbox"/> Improper temperature setting</li> <li><input type="checkbox"/> Unit capacity insufficient for load or room size</li> </ul>	<ul style="list-style-type: none"> <li>■ Reset temperature</li> <li>■ Consult your dealer</li> </ul>