

All Season Kit Installation Instruction



Switch off power supply to the unit

Fig.1

- Remove:
 - Cover **A**;
 - Power panel handle **B**;
 - Side cover **C** (if it exist).

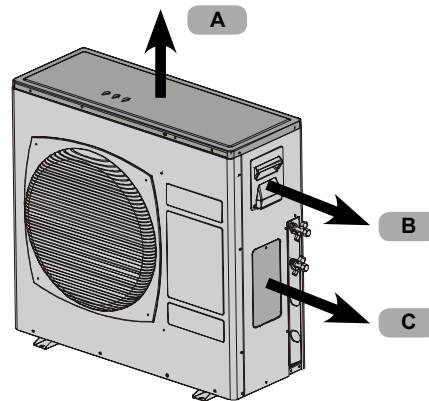


Fig.1

Fig.2

- Mount the Fan speed controller on the partition of the compressor compartment in the holes provided, using four supplied screws .

Note:

- In outdoor models OU8, the Fan Speed Controller should be mounted on the partition toward the outdoor fan motor side.



OU7



OU10



OU8

Fig.2

Fig.3

- Unscrew the cap of the provided service valve **D** and connect to the **T-valve**, supplied in the kit.

Note:

- The “**T-valve**” supplied in the kit is installed between valve **D** and capillary **E** offering the possibility of an additional pressure connecting output for service.

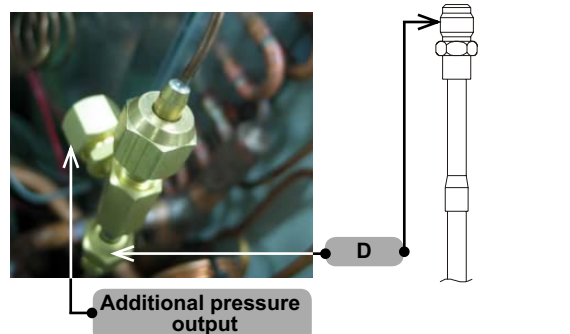
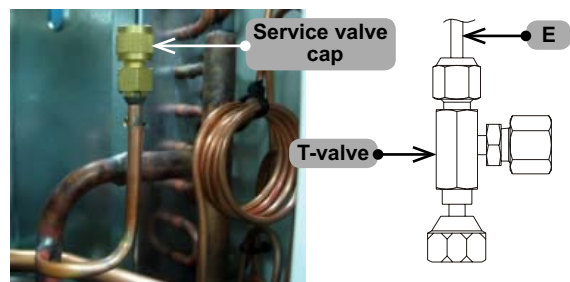


Fig.3

Fig.4

- Connect capillary **E** to **T-valve**.

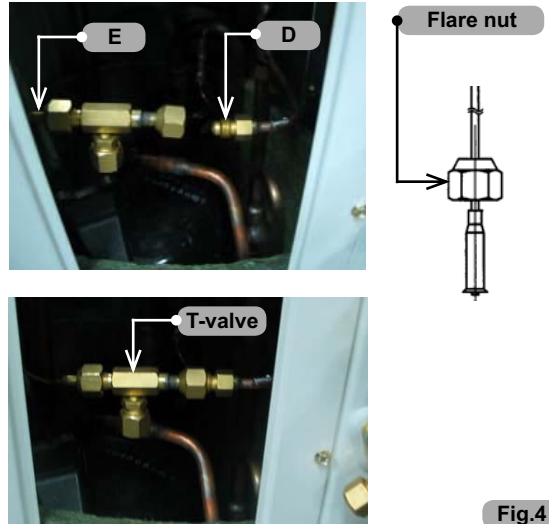


Fig.4

Fig.5

Electrical connections for 1PH units:

- Disconnect the wire from point “6” on main terminal outdoor PCB Typhoon and isolate it with isolation tape.
- Disconnect the JP1 and JP2 wires from tabs TB2; TB4; TB5 on PCB Typhoon. Connect the Red Wire from Fan Speed Controller to tab “TB4” on PCB Typhoon.
- Connect Green Wire from Fan Speed Controller to tab “TB2” on PCB Typhoon.
- Connect Y/Green wire from Fan Speed Controller to ground screw on units partition.
- Return “JP1” wire, previously disconnected, to tab “TB2”.

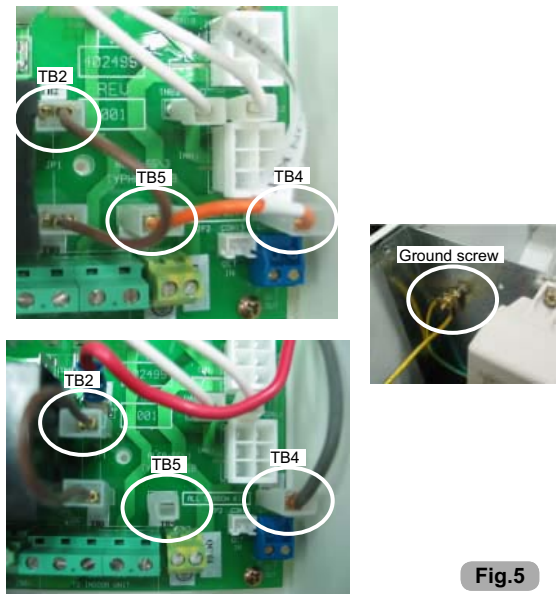


Fig.5

Fig.6

Electrical connections for 3PH units:

- Disconnect the wire from point “6” on main terminal PCB Typhoon and isolate it with isolation tape.
- Disconnect the JP1 and JP2 wires from tabs TB1; TB8; TB9 on PCB Typhoon.
- Connect Red Wire from Fan Speed Controller to tab “TB8” on PCB Typhoon.
- Connect Green Wire from Fan Speed Controller to Tab “TB1” on PCB Typhoon.
- Connect Y/Green wire from Fan Speed Controller to ground screw on units partition.
- Return “JP1” wire, previously disconnected, to

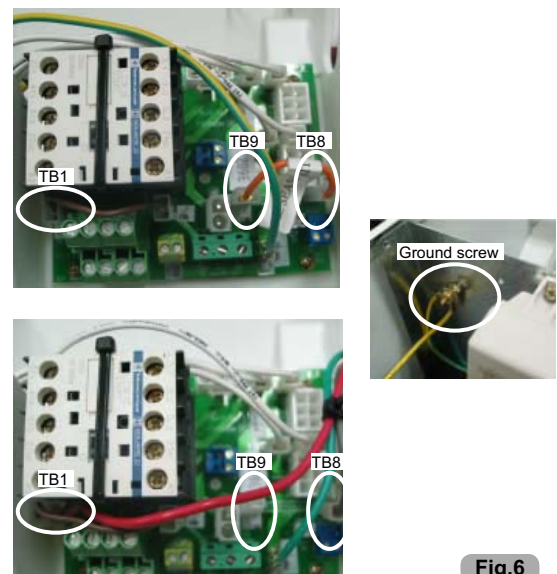
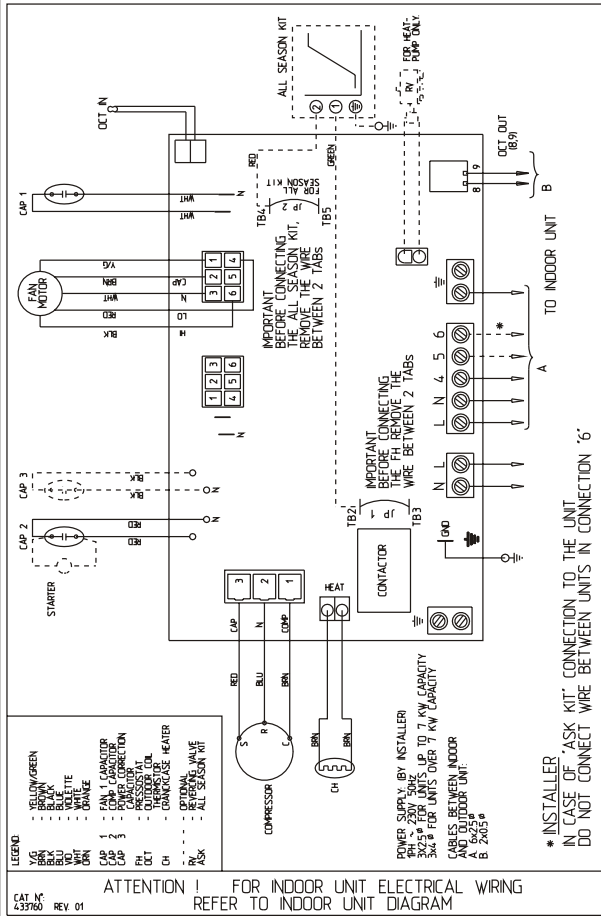


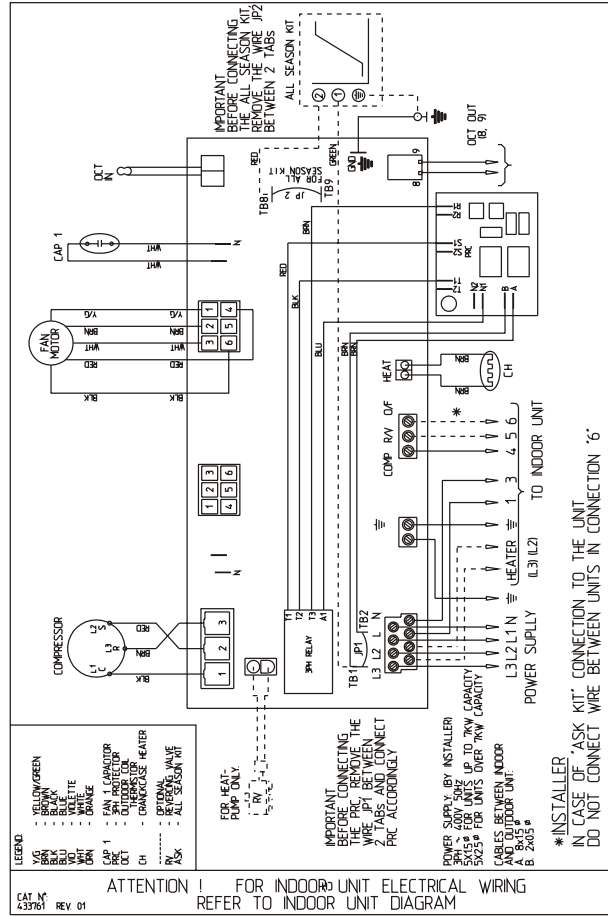
Fig.6

Fig.7

- Verify the wiring to electrical diagram.



1PH Unit



3PH Unit

Fig.8

- Arrange the wires and capillary tube together with plastic ties, don't fold or break the capillary tube, keep a large loop for extra length of capillary tube.
- Check for refrigerant leaks.

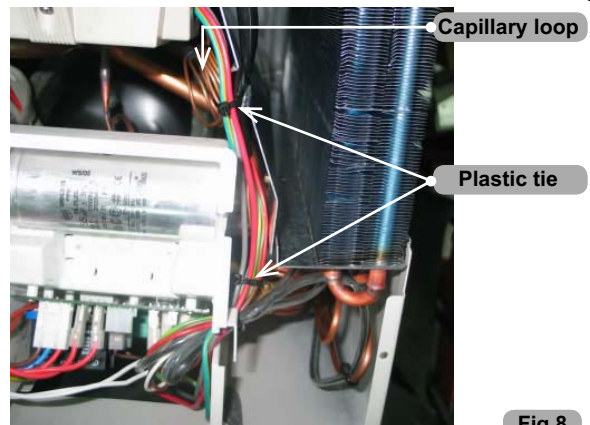


Fig.8

- Re-assemble the previously removed elements.