

**FRANÇAIS** CLIMATISEUR SPLIT MOBILE  
**ENGLISH** MOBILE SPLIT AIR CONDITIONER  
**DEUTSCH** MOBILE SPLIT-KLIMAGERÄTE  
**ITALIANO** CLIMATIZZATORE PORTATILE SPLIT  
**ESPAÑOL** ACONDICIONADO DE AIRE PORTÁTIL Y PARTIDO  
**NEDERLANDS** VERRIJD BARE SPLIT AIRCONDITIONER  
**РУССКИЙ** РУКОВОДСТВО ПО УСТАНОВКЕ И ЭКСПЛУАТАЦИИ

**INSTRUCTIONS DE MONTAGE ET D'EMPLOI**  
**INSTALLATION AND OPERATING INSTRUCTIONS**  
**MONTAGE-UND GEBRAUCHSANWEISUNG**  
**ISTRUZIONI PER L'INSTALLAZIONE E IL FUNZIONAMENTO**  
**INSTRUCCIONES DE INSTALACIÓN Y FUNCIONAMIENTO**  
**INSTALLATIE & BEDIENINGSVOORSCHRIFTEN**  
**РУКОВОДСТВО ПО УСТАНОВКЕ И ЭКСПЛУАТАЦИИ**

*Airwell*

# **MOBILE SPLIT AIR CONDITIONER**

**ELECTRONIC / REMOTE CONTROL**

**ELECTRO MECHANICAL CONTROL**

**INSTALLATION AND OPERATING INSTRUCTIONS**

## CONTENTS

<b>INTRODUCTION</b> .....	2
IMPORTANT NOTES .....	2
<b>DESCRIPTION</b> .....	3
<b>ACCESSORIES</b> .....	4
<b>INSTALLATION</b> .....	5
INSTALLATION OF OUTDOOR UNIT.....	6
<b>ELECTRICAL CONNECTION</b> .....	9
<b>OPERATION-ELECTRONIC MODEL (With remote control)</b> .....	11
MODES OF OPERATION, FUNCTIONS AND FEATURES .....	11
USE OF WIRELESS REMOTE CONTROL.....	13
ON-UNIT INDICATORS AND CONTROLS-(ELECTRONIC MODES).....	14
ON-UNIT OPERATION .....	14
REMOTE CONTROL .....	15
OPERATION PROCEDURE .....	16
<b>OPERATION- (For Mechanical Models)</b> .....	20
OPERATING PROCEDURE .....	21
<b>CARE AND MAINTANANCE</b> .....	22
<b>MOVING AND STORING-ALL MODELS</b> .....	23
<b>IMPORTANT NOTICES</b> .....	24
<b>BEFORE CALLING FOR SERVICE</b> .....	25

## □ INTRODUCTION

This new split mobile air conditioner consists in an indoor and outdoor unit, interconnected by a flexible hose. The indoor unit is equipped with four castors for easy mobility.

The air conditioner you have purchased is a factory-charged and ready for use. No special installation is required; just follow the simple instructions and enjoy this fully featured, versatile air conditioner.

The electronic models are equipped with an electronic microprocessor control system, giving the user the choice of local or remote control operation, as well as precise temperature setting and control, timer operation and a built-in protection system for trouble-free and energy-efficient operation.

Capacity based on test conditions of:  
Indoor: 27°C/80°F DB - 19°C/67°F WB.  
Outdoor: 35°C/95°F DB - 24°C/72°F WB.

In accordance with ISO 5151, T1 Conditions.  
Actual cooling capacity might vary according to the local environmental conditions.

Optimal operating temperature:  
Cooling: 21°-43°C  
Heating: -5°-21°C R22  
          -9°-21°C R407 & R410A

- **PLEASE READ THESE INSTRUCTIONS BEFORE OPERATING THE AIR CONDITIONER**
  
- **IF YOUR AIR CONDITIONER IS FOR COOLING ONLY, PLEASE DISREGARD THE INSTRUCTIONS RELATED TO HEATING**

## IMPORTANT NOTES:

### WARNING

- This air conditioner must be grounded for protection against electrical shock.
- Electrical connection and power cord replacement should be done only by authorized electricians and in accordance with electrical regulations and local codes.
- Do not expose the unit to rain.

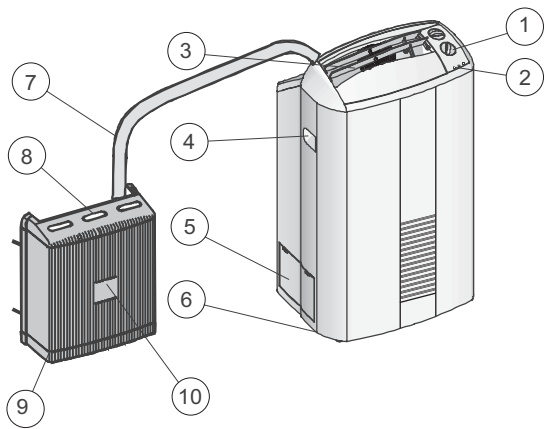
When using this air conditioner for the first time, please do the following:

1. Read the instruction manual and familiarize yourself with the controls.
2. Plug the electric power cord into a power socket which is protected by a proper fuse.
3. Check that all control functions operate properly, including both the remote control unit and on-unit control.
4. Repeat step 3 when the remote control unit is inside its compartment.
5. Disconnect the electric power cord from the power socket, wait 3 minutes and reconnect the unit.

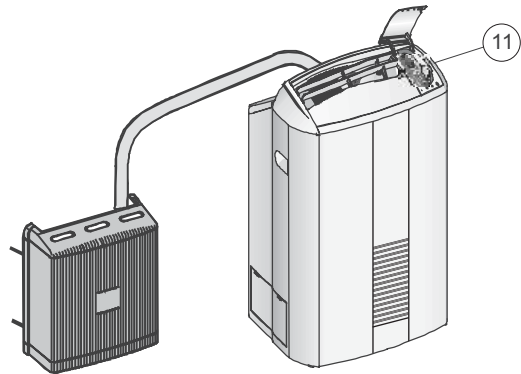
### IN THIS MANUAL

<b>ALL MODELS .....</b>	<b>pages:2-7,22-26</b>
<b>Q.C. MODELS UP TO 3.1KW and 4.1KW.....</b>	<b>pages:8-10</b>
<b>ELECTRONIC MODELS UP TO 3.1 KW and 4.1KW .....</b>	<b>pages:11-19</b>
<b>MECHANICAL MODELS UP TO 3.1KW and 4.1KW.....</b>	<b>pages:20-21</b>

## □ DESCRIPTION

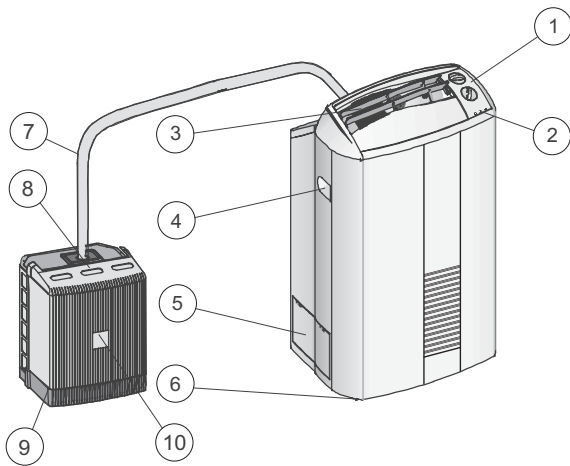


**Electro-Mechanical models 3.1 KW (R407C)**

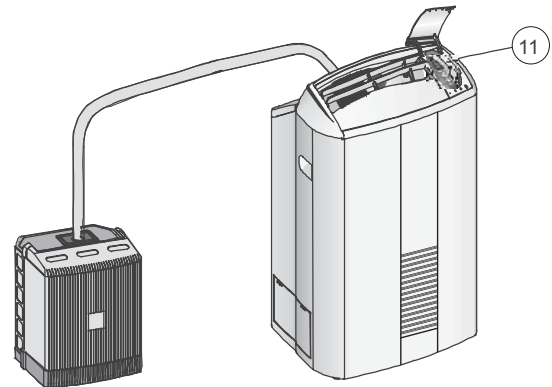


**Electronic models 3.1 KW (R407C)**

**Figure 1: Indoor and Outdoor Unit components Description (Front)**



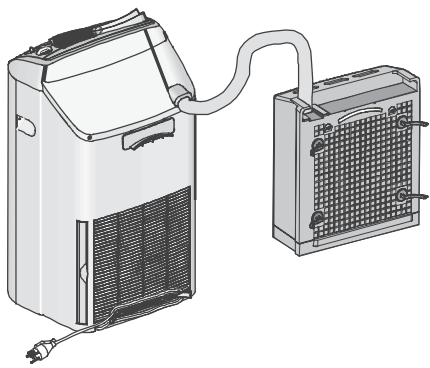
**Electro-Mechanical models 4.1 KW (R22/R410A)  
3.1 KW (R410A)**



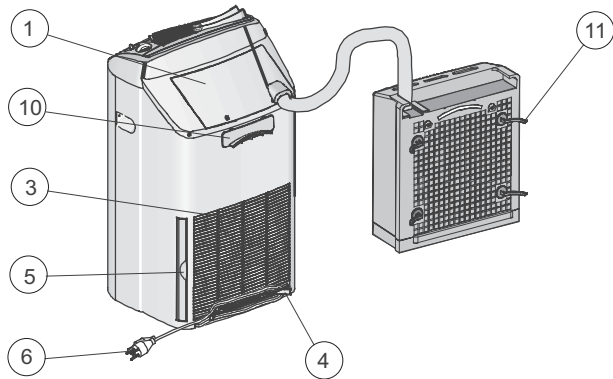
**Electronic models 4.1 KW (R22/R410A)  
3.1 KW (R410A)**

**Figure 2: Indoor and Outdoor Unit components Description (Front)**

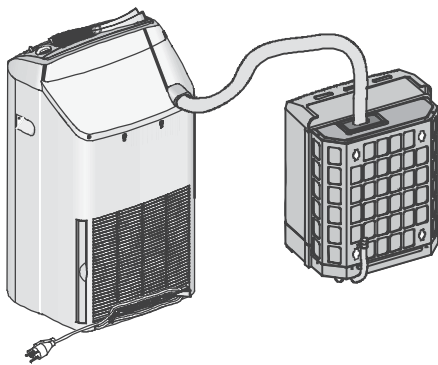
- |                                                  |                                                |
|--------------------------------------------------|------------------------------------------------|
| 1. Control buttons (for electromechanical model) | 7. Interconnecting hose                        |
| 2. Indicators (leds)                             | 8. Carrying handle -outdoor unit               |
| 3. Adjusting air supply grille                   | 9. Water basin                                 |
| 4. Carrying handle                               | 10. Condenser fan grille                       |
| 5. Water tank door                               | 11. Remote control (for electronic model only) |
| 6. Castors                                       |                                                |



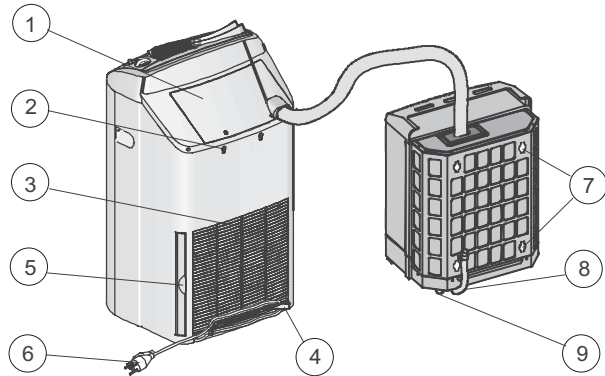
Models 3.1 KW (R407C)



Models 3.1 KW (R407C) - With Quick Connectors



Models 4.1 KW (R22/R410A)  
3.1 KW (R410A)



Models 4.1 KW (R22/R410A) - With Quick Connectors  
3.1 KW (R410A) - With Quick Connectors

Figure 3: Indoor and Outdoor Unit components Description (Back)

- 1. Quick disconnect cover (optional)
- 2. Key holes
- 3. Return air intake
- 4. Drain tube with plug-indoor unit
- 5. Air filter handle
- 6. Power Cord

- 7. Spacing stud holes
- 8. Drain tube with plug-outdoor unit
- 9. Castors outdoor unit (for model 4.1 KW, 3.1 KW /R410A)
- 10. Suspension bracket
- 11. Spacing studs

## □ ACCESSORIES

- 1. Suction pads
- 2. Wrench no. 1
- 3. Wrench no. 2

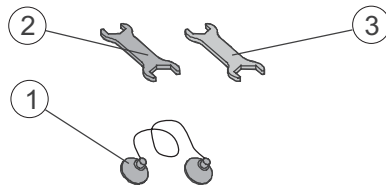


Figure 4: Accessories

## □ INSTALLATION

This mobile split air conditioner can be installed by the customer, as follows:

Choose an appropriate place for the air conditioner indoor unit near an exterior opening (window or door). A grounded 230 electrical outlet should be within 2.5 meters of the indoor unit.

Determine whether the outdoor unit is to be suspended from the window of the wall, or placed on the floor near a doorway. Be sure the outdoor unit is stable and well supported at its place of installation (see Figure 5).

The outdoor unit must be installed with the rear grille facing the wall at a minimum distance of 60 mm.

Be sure the outdoor unit is stable and well supported at its place of installation so that its handle and hose are on top. To assure proper condensed drainage, make sure the unit is installed in a level position.

Under high humidity conditions, the outdoor unit condensate basin (6) may overflow. If this occurs often, it is recommended to use a permanent drain tube by fitting a 13-mm OD tube (7), routed to a nearby drainage point.

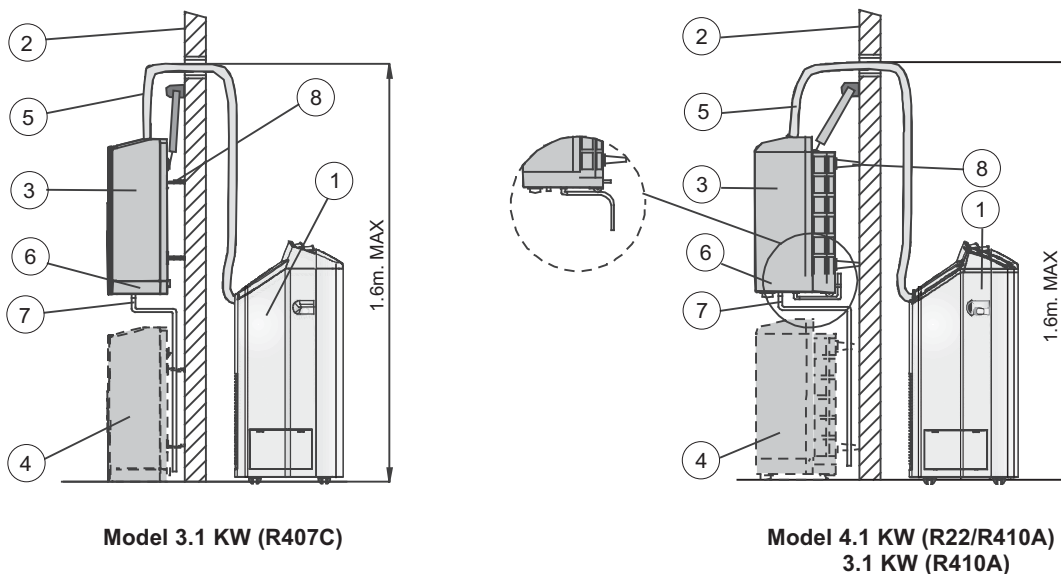


Figure 5

- |                                |                        |
|--------------------------------|------------------------|
| 1. Indoor unit                 | 6. Condensate basin    |
| 2. Window                      | 7. Overflow drain tube |
| 3. Outdoor unit, wall mounted  | 8. Spacing stud        |
| 4. Outdoor unit, floor mounted |                        |
| 5. Interconnecting hose        |                        |

## INSTALLATION OF OUTDOOR UNIT (See Figure 6,7,8)

A standard kit (Figure 8), supplied with the air conditioner for supporting the outdoor unit, makes it possible to mount it either from a window sill (Figure 6) or on the wall (Figure 7), refer to Figure 8 for reference numbers in the following steps.

1. Install the 4 spacing studs (1) at the back of the unit to assure undisturbed air flow to the unit.
2. For window mounting, refer to Figure 6. Place the support bracket (3) on the window frame, drill four holes in the window frame and mount the support securely with four screws.
3. Attach the two lower snap-hooks (5) into the side holes of the unit.
4. Lift the unit up, pass it over the window and hang it inserting the hanging strip in the apposite groove.
5. Verify that the unit is well supported, stable and level. Suspension Straps (2) can be used to level the unit.
6. For wall mounting, refer to Figure 7, place support bracket (3) against the wall, drill four holes in the wall and fasten with the four screws; verify that support is level.

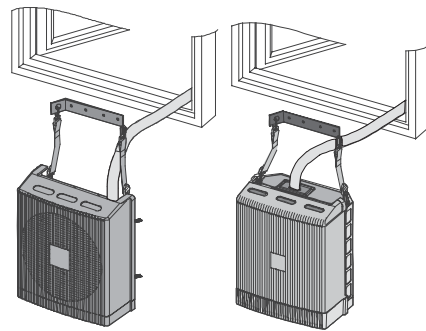
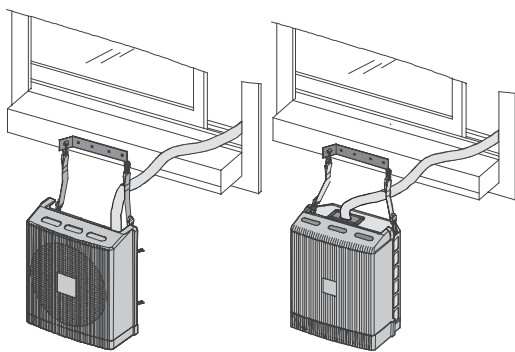


Figure 6. Suspending outdoor unit from window sill

Figure 7. Suspending outdoor unit from wall

For all models up to 3.1 KW and 4.1 KW

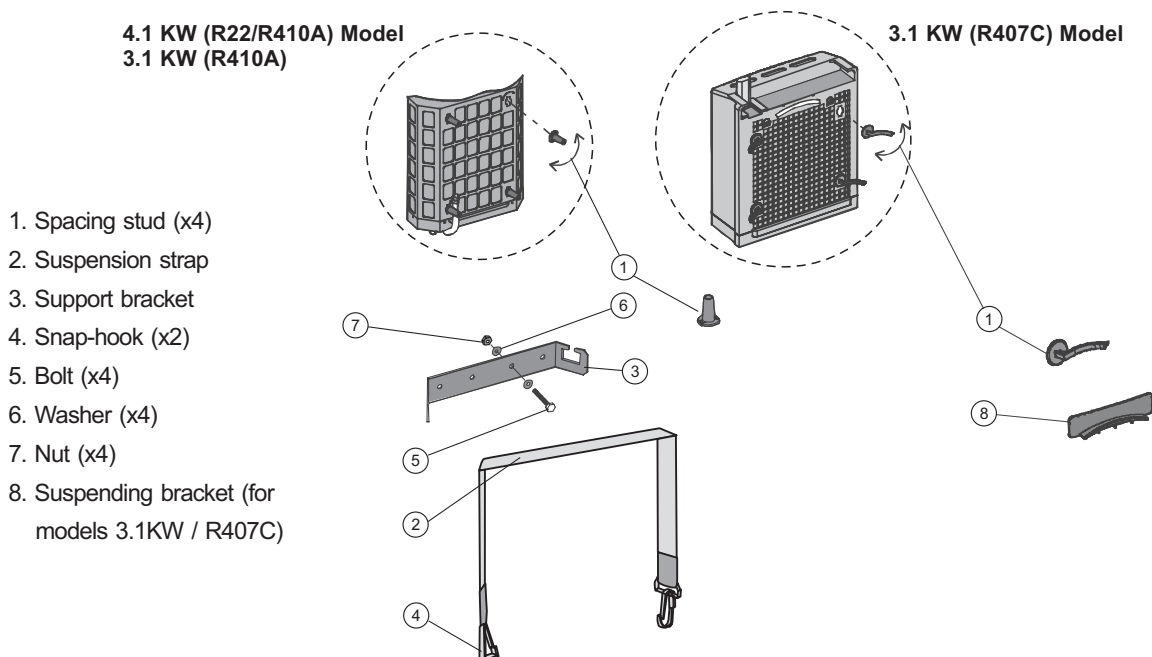
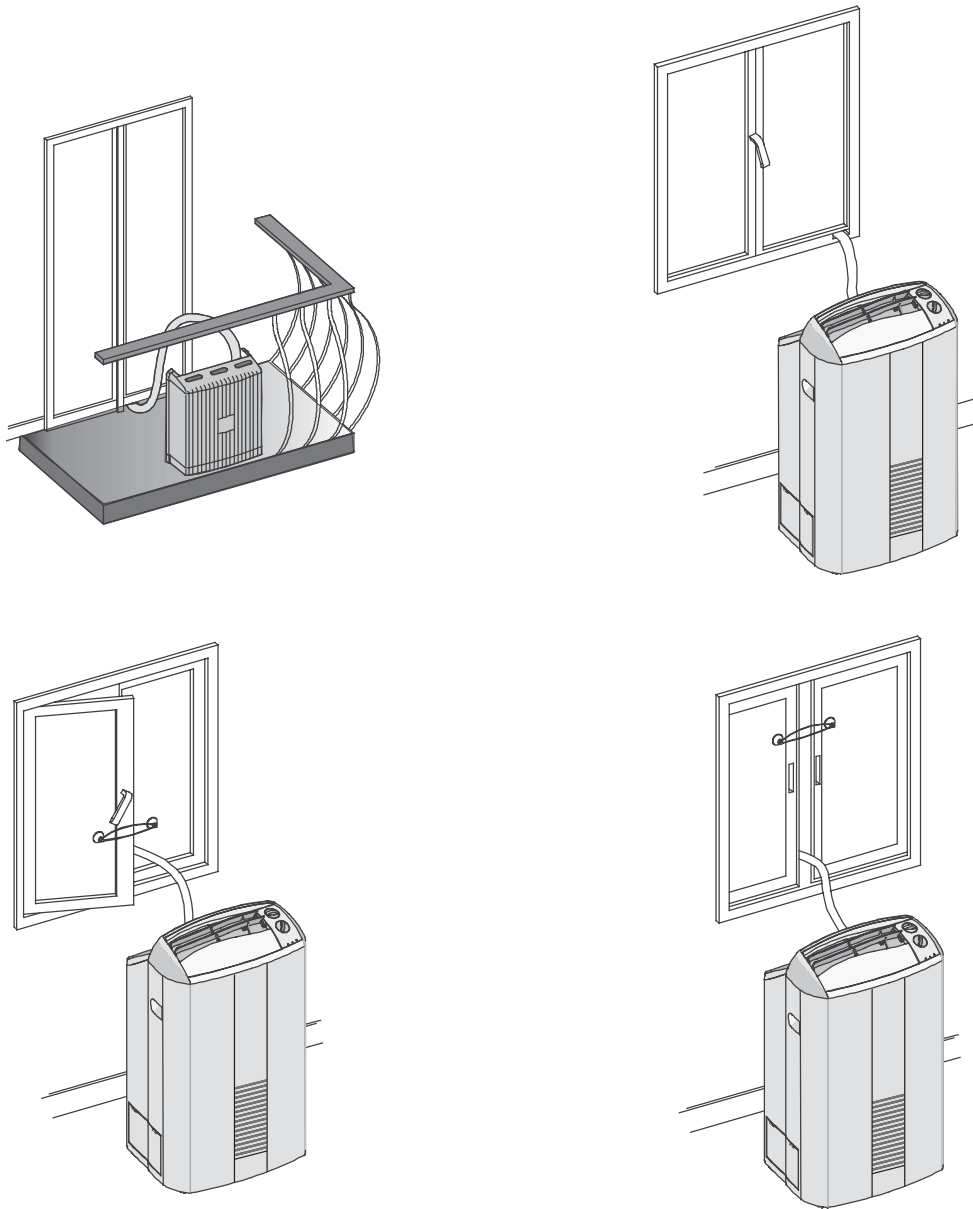


Figure 8. Outdoor unit supporting kit





**Figure 9**

Prepare a slot in the lower part of door or window frame for the interconnecting hose location (see Figure 9).

Pass the interconnecting hose which contains the refrigerant tubing, cable and drain tube through a window or door opening. Be sure not to subject the interconnecting hose to any over-stress, avoid sharp bends or forced twisting. Before operation, close the window or door; use the suction pads if needed.

**NOTE**

- a. If the air conditioner is to be used periodically in alternate rooms, it is recommended to cover the opening in the door or window. Additional mounting kits are available from your local dealer.
- b. When transporting the unit, make sure to keep it in vertical position (discharge grille on top). Also, when removing outdoor unit, empty the water accumulated at the bottom by tilting to one side.

## APPLICATION OF QUICK CONNECTORS (OPTIONAL)

The quick disconnect feature is used when installing the flexible interconnecting hose through a window or a wall. It enables temporary separation between indoor and outdoor units when passing the hose through an opening in an external wall.

### DISCONNECTING THE UNITS (See Figures 10 and 11)

To disconnect between the indoor and outdoor unit, perform the following steps:

**WARNING:** Make sure to disconnect the unit from power supply.

- STEP 1.** Unscrew the fastening screw (2) and remove cover (1).
- STEP 2.** Unplug the electrical plug (3) and pull it out from its socket (4).
- STEP 3.** Disconnect drain hose (9) from the drain pan connector (10).
- STEP 4.** Remove the tube clamp (12) by unscrewing its fastening screw.
- STEP 5.** Unscrew the liquid line quick disconnect (5) from its mating part (6) as follows:
  - Retain lock-nut (13) with the supplied wrench No. 2 (20) and open with the supplied wrench No. 1 (19) the hexagonal nut (5).
  - Slowly turn nut (5), and open until part (5) is disconnected from part (6).
- STEP 6.** Unscrew the suction line quick disconnect (7) from its mating part (8) as follows:
  - Retain lock-nut (14) with the supplied wrench No. 2 (20) and open with the supplied wrench No. 1 (19) the hexagonal nut (7).
  - Slowly turn nut (7), and open until part (7) is disconnected from part (8).
- STEP 7.** Remove interconnecting hose clamp (21) by unscrewing its fastening screw.
- STEP 8.** To protect the tube openings from any foreign material or contamination, close them with the provided plugs AND COVERS; REFER TO FIGURE 11. insert plug (16) into nut (5), plug (18) into nut (7), Cover (15) onto part (6) and cover (17) on part (8). Tighten all of these lightly.

The outdoor unit, together with the interconnecting flexible hose (11) may now be separated from the indoor unit, and the hose can be passed through the wall opening.

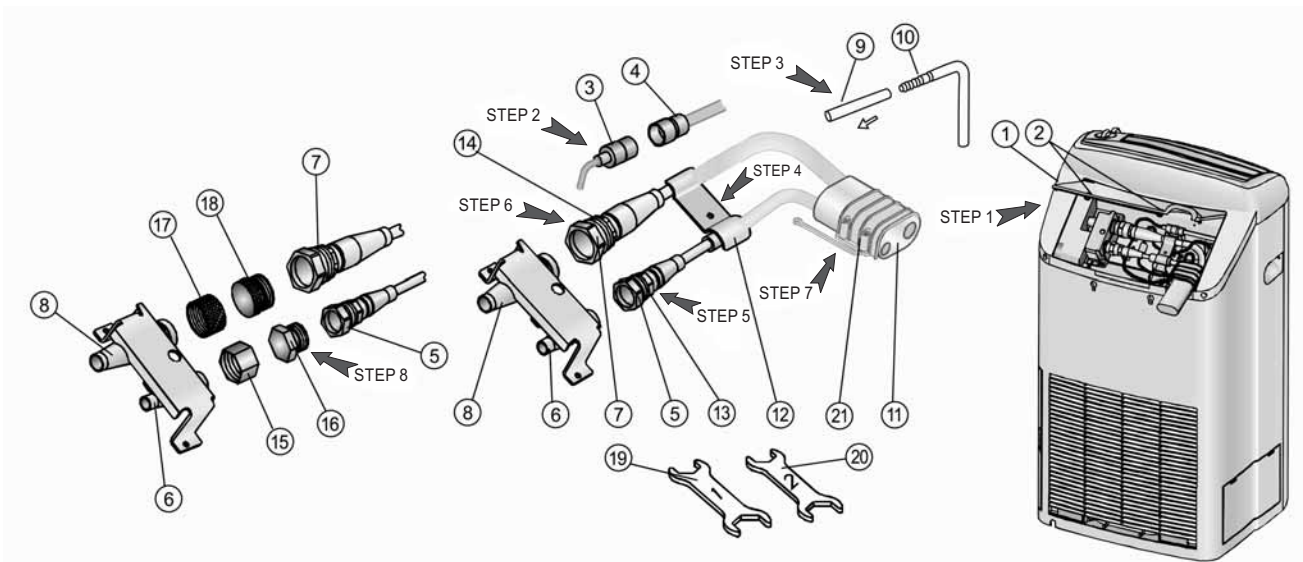


Figure 11

Figure 10

## CONNECTING THE UNITS (See Figures 12 and 13)

After locating outdoor and indoor unit in their respective places, perform the following steps to reconnect between the two units:

**STEP 1.** Remove protection plugs (16), (18) and covers (15), (17) from their respective connectors (see Figure 13).

**STEP 2.** Connect quick disconnect (5) to its mating part (6), as follows:  
- Turn by hand part (5) onto part (6).  
- Retain lock-nut (13) with the supplied wrench No. 2 (20) and close with the supplied wrench No. 1 (19) the hexagonal nut (5) to its mating part (6), until it is tight.

**WARNING:** Do not use excessive force to tighten the nut.

**STEP 3.** Connect quick disconnect (7) to its mating part (8) as follows:  
- Turn by hand part (7) onto part (8).  
- Retain lock-nut (14) with the supplied wrench No. 2 (20) and close with the supplied wrench No. 1 (19) the hexagonal nut (7) to its mating part (8), until it is tight.

**WARNING:** Do not use excessive force to tighten the nut.

**STEP 4.** Reconnect interconnecting hose clamp (21) with its screws to the unit.

**STEP 5.** Connect the drain hose (9) to the drain pan (10).

**STEP 6.** Connect the electrical plug (3) by pressing it into its socket (4).

**STEP 7.** Reconnect the tubes clamps (12) with its fastening screw.

**STEP 8.** Reinstall the cover (1) and tighten it with its fastening screw (2).

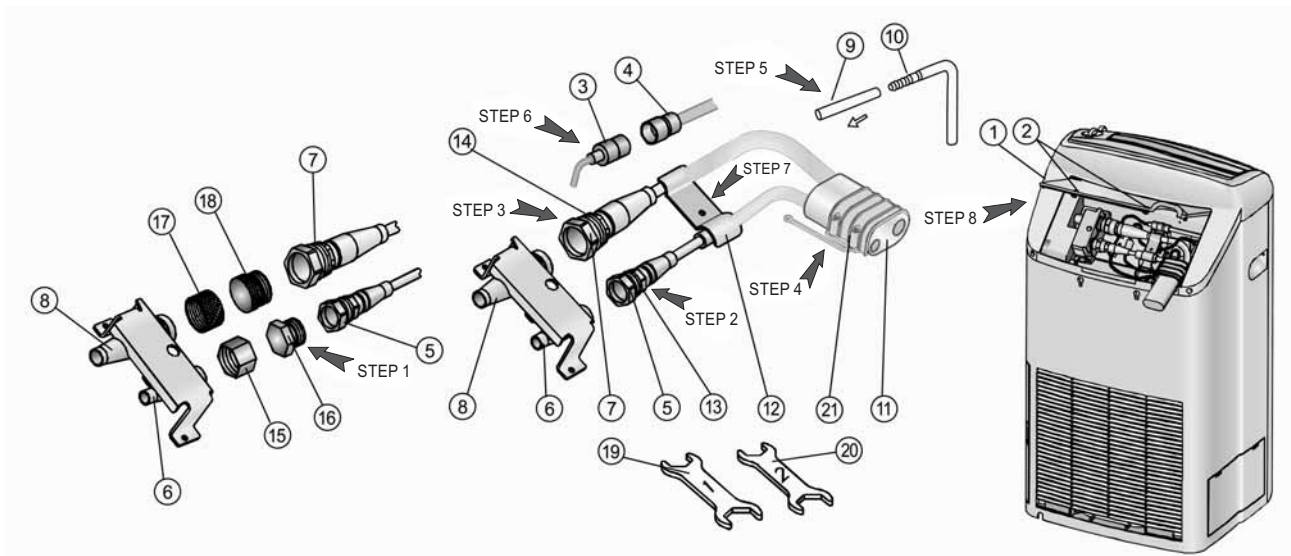


Figure 13

Figure 12

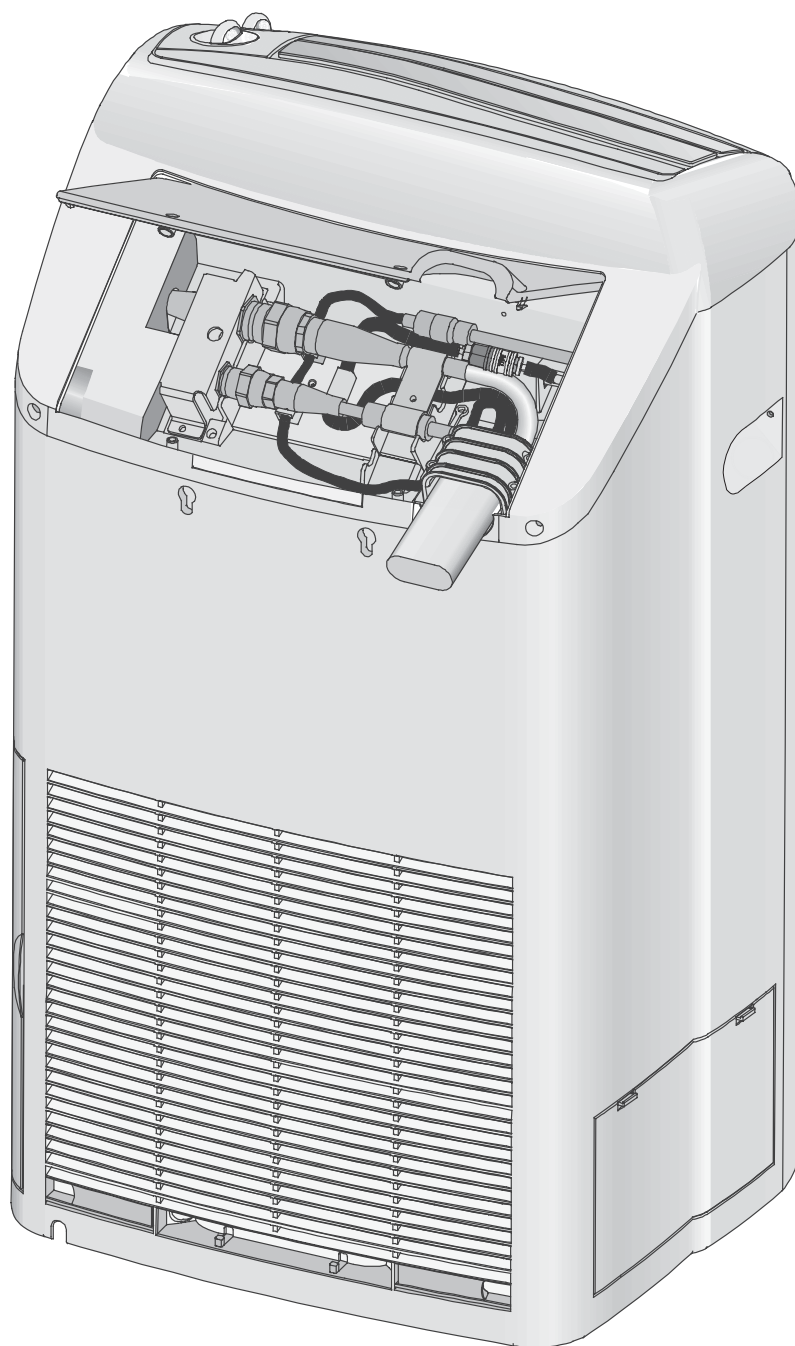
## ❑ ELECTRICAL CONNECTION

Before plugging in, please check that:

1. Socket and mains correspond to data given in specifications.
2. Plug fits the socket; if not, change socket.
3. Socket is properly grounded.

**The manufacturer is not responsible for any damage incurred due to failure of following normal safety procedures.**

## QUICK CONNECTORS APPLICATION (OPTIONAL)



## ❑ OPERATION - ELECTRONIC MODEL (With remote control)

In order to obtain maximum comfort and economical operation, please make sure to:

- Doors and windows of room to be conditioned are closed.
- Air outlet and inlet openings on the unit are free of any obstruction.
- Shade the room from direct sunrays and avoid excessive sources of heat in the room.

### MODES OF OPERATION, FUNCTIONS AND FEATURES



#### COOL

Cools, dehumidifies and filters the room air. Maintains desired room temperature.



#### HEAT

Heats and filters the room air. Maintains desired room temperature.



#### AUTO COOL/HEAT

Automatically switches from COOLING to HEATING or from HEATING to COOLING, maintaining the desired temperature according to the room conditions.



#### DRY

Dehumidifies and softly cools the room air. In DRY Mode, the air conditioner operates with increased dehumidifying power. This function is recommend for use when the temperature is rather low, but the humidity is high.



#### FAN

Circulates and filters the room air. Maintains constant air movement in the room.

#### AUTO FAN



The air conditioner automatically selects the FAN speed in accordance with the room temperature. At the start, the unit operates at high fan speed. As the room air approaches the desired temperature, the fan switches to a lower speed, for quieter operation.



#### TIMER

Real time control and display, automatically turns the air conditioner ON and OFF according to the time of day setting, ensuring comfort conditions before returning home, without wasting electricity; it turns off the air conditioner automatically when sleeping.

#### SLEEP



Designed to create comfortable sleeping conditions. When in COOLING mode, the temperature rises one degree centigrade above the set-point after each consecutive hour for up to three hours from the start of the mode. The rise in temperature prevents the sense of over-cooling while sleeping (when your body is resting). In HEATING mode the reverse occurs; the air conditioner lowers its temperature one degree every hour, up to three hours from the start of the mode. When in SLEEP mode, the air conditioner will be automatically turned off after seven hours. The result is a more comfortable and invigorating sleep, which leaves you feeling fresh and energetic in the morning.

\* **NOTE: The heating modes are used on units with cooling and heating.**

### **VERTICAL AIR SWING (OPTIONAL)**



Automatic swing of air supply in a vertical direction. The flaps automatically move in upward and downward directions to disperse the conditioned air evenly throughout the room.



### **FILTER AND WATER OVERFLOW INDICATION** (see indicator C on figure 15)

Filter indicator on the indoor unit display is turned on when the filter requires cleaning. After cleaning and reinstalling the filter, the system should be reset. When the indicator is blinking, it indicates that the water tank is full of water and needs to be drained.



### **BUZZER INDICATOR**

A soft buzzer will sound from the indoor unit display to indicate that a command sent by the remote control has been accepted and stored in the unit's memory. The user may easily cancel this feature from the display panel.

### **ON- UNIT OPERATION** (see buttons E on figure 15)

The air conditioner can be turned on or off directly from the indoor unit display panel, without the use of the remote control.

### **3-MIN. DELAYED RUN**

The compressor is protected by a three-minute delayed restart.

### **MEMORY**

The microprocessor retains the last data entry, whether or not the unit is plugged in. Therefore, when the unit restarts after a power disruption or failure, it will resume operation in the same mode as before the power disruption.

### **SETTING STORED**

The air conditioner will store all the settings of the operating MODE button in COOL, HEAT, AUTO, DRY and FAN.

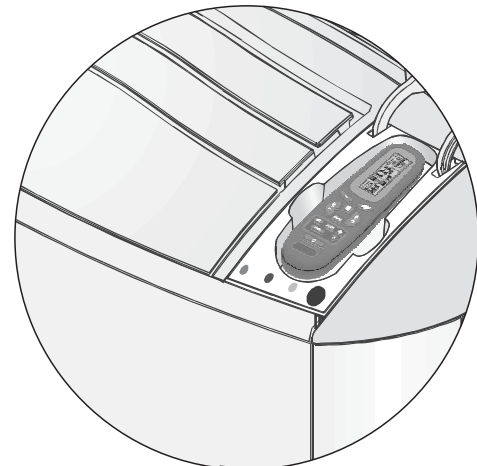
## USE OF WIRELESS REMOTE CONTROL

THE WIRELESS REMOTE CONTROL BRINGS ALL FUNCTIONS TO YOUR FINGERTIPS.

### PRIOR TO OPERATION

Prior to operating your air conditioner, make sure that:

- The unit is properly connected to the power supply.
- The red tab protecting the remote control battery has been removed.
- For clock settings, see page 18.



### REMOTE CONTROL BATTERY CHANGE

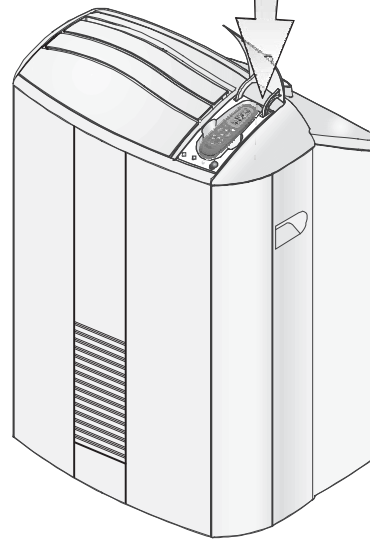
- Remove the batteries from the remote control unit, as shown on figure 14. Use two 1.5 volt, size AAA batteries.
- For reserving the environment, please return used batteries for recycling process.

### REMOTE CONTROL COMPARTMENT

Use the remote control compartment when the unit is not in use. The remote control can be flipped in or out of its compartment. (See figure 14).

### PROTECTING THE ELECTRONIC SYSTEM

- Indoor unit and the remote control must be at least one meter away from any TV, radio or any other electronic home appliance.
- Protect the unit and the remote control from direct sunrays or lighting.



**Figure 14. Remote control application**

Aim the remote control towards the air conditioner's infrared signal receiver when it is operating.

The remote control signal can be received at a distance of up to 8m.

Be sure that there are no obstructions between the remote control and the signal receiver.

Do not drop or throw the remote control unit.

Do not place the remote control unit in a location exposed to direct sunlight, or next to a heating unit, or any other heat source.

Do not expose the air conditioner signal receiver to strong light, such as a fluorescent lamp or sunlight.

## ON-UNIT INDICATORS AND CONTROLS - (ELECTRONIC MODES) (See Figure 15)

### A. TIMER INDICATOR

Lights up during TIMER and SLEEP operation.

### B. OPERATION INDICATOR

Lights up during operation. Blinks to announce that the remote control infrared signal has been received and stored. Blinks continuously when compressor operates in its high-pressure protection mode.

Lights up during TIMER and SLEEP operation.

### C. FILTER AND WATER OVERFLOW INDICATOR

Lights up when air filter requires cleaning. Blinks during water overflow.

### D. CLEAR/FILTER BUTTON

Press to turn off the FILTER indicator and to reset the filter function, after the clean filter has been reinstalled.

Press to cancel the buzzer announcer, if elected.

### E. MODE - COOL / HEAT / ON / OFF - UNIT OPERATION BUTTON

Used to switch the unit between positions OFF, ON, COOLING or HEATING, without using the remote control.

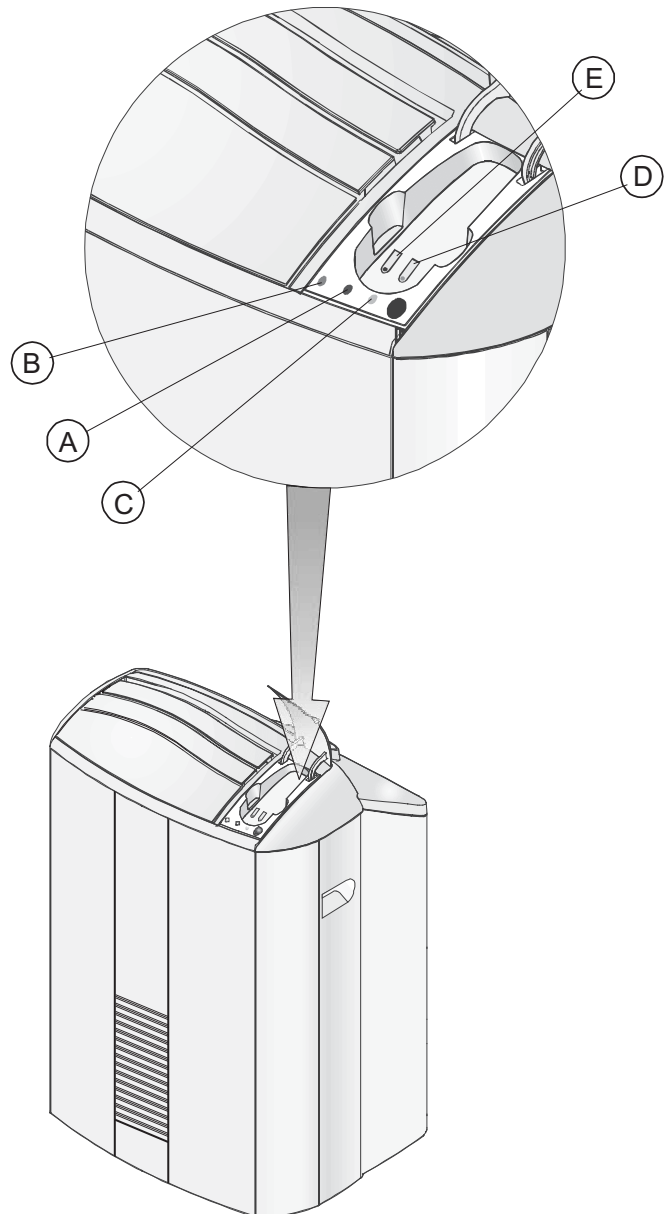


Figure 15

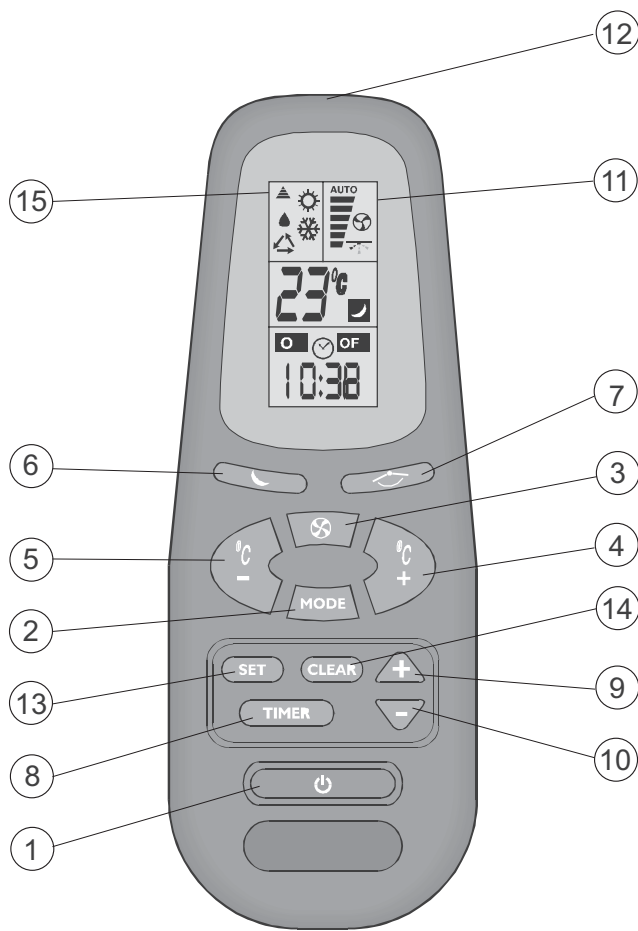
## ON-UNIT OPERATION

If the remote control cannot be operated, the air conditioner can be turned on for cooling or heating, or completely turned off, by pressing MODE button (E). The MODE button will change the operational status of the unit between the - COOLING - HEATING - OFF positions every time it is pressed.

**NOTE: The heating modes are used on units with cooling and heating.**



**REMOTE CONTROL** (See figure 16)



- 1** START/STOP button
- 2** Operation MODE selection button
- 3** FAN SPEED and AUTO FAN button
- 4** Temperature set UP button (+)
- 5** Temperature set DOWN button (-)
- 6** SLEEP button
- 7** Automatic Vertical Air Swing button
- 8** TIMER select button
- 9** TIMER set up button (+)
- 10** TIMER set down button (-)
- 11** LCD display
- 12** Infrared signal transmitter
- 13** TIMER SET button
- 14** TIMER CLEAR button
- 15** Transmission sign

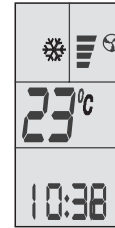
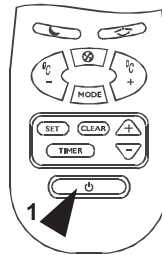


**Figure 16**

## OPERATION PROCEDURE (See figs. 15 & 16)

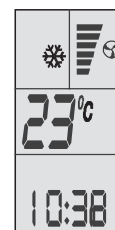
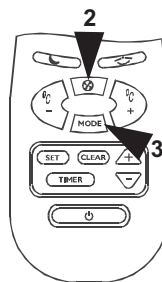
### TURNING ON THE AIR CONDITIONER

Press START/STOP button (1) to turn on the air conditioner. Operation Indicator (B) on the air conditioner will light up, indicating that the unit is in operation. Note that the LCD operation display (11) will always show the last mode of operation and the previous function used.



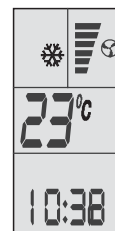
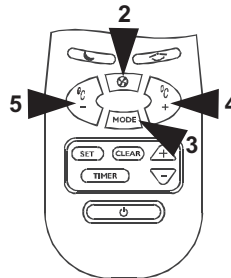
### VENTILATING OPERATION

Select the FAN mode by pressing MODE button (2). Switch to the desired fan speed or AUTO speed by pressing FAN speed button (3).



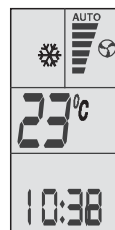
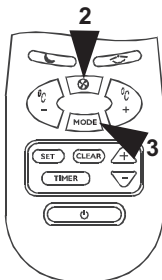
### COOLING OPERATION

Select the COOLING mode by pressing MODE button (2). Switch to the desired fan speed or to AUTO fan by pressing button (3). Select suitable temperature setting by pressing button (4) or (5).



### COOLING OPERATION WITH AUTO FAN MODE

This operation starts at the highest airflow, in order to quickly lower the room temperature. It will then automatically switch to low air flow, in order to quietly maintain the selected temperature.

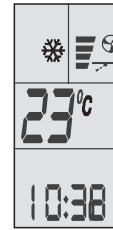
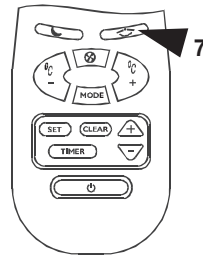


\* NOTE: The heating modes are used on units with cooling and heating.

---

### AUTOMATIC VERTICAL AIR SWING

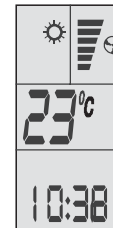
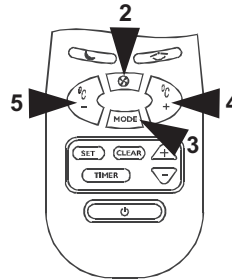
Press button (7) to activate the auto air swing.  
Press the button again to deactivate this function.



---

### HEATING OPERATION \*

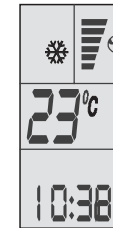
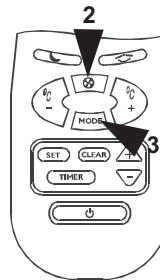
Select the HEATING mode by pressing MODE button (2). Switch to the desired Fan Speed or to AUTO FAN by pressing the Fan button (3). Select suitable temperature setting. (see figure 7 for unit installation)



---

### HEATING OPERATION WITH AUTO FAN MODE \*

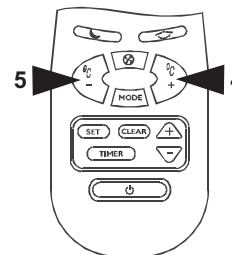
This operation starts with the highest air flow in order to quickly raise the room temperature. It will then automatically switch to the lower air flow to quietly maintain the selected temperature.



---

### SELECTING THE TEMPERATURE

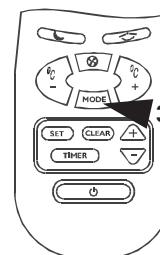
Press temperature button (4) or (5) to change the temperature setting on the LCD operation display (11). The temperature setting is shown in centigrade degree. A higher number indicates a higher room temperature; a lower number indicates a lower room temperature.



---

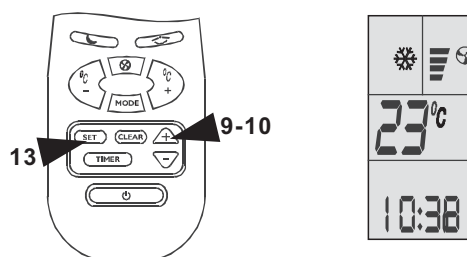
### DRY OPERATION

Select the DRY mode by pressing MODE button (2). Select the suitable temperature setting. While in DRY mode, the air conditioner will operate at low fan speed, regardless of the fan setting on the LCD operation display. The fan might stop operating from time to time to prevent over-cooling.



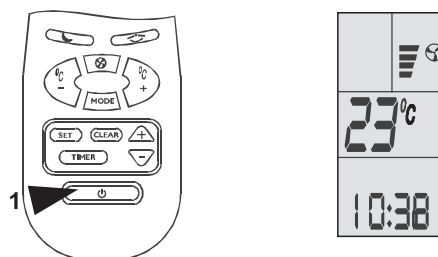
### CURRENT CLOCK TIME SET

Clock setting is performed when batteries are inserted. The remote control displays the setting, and the clock display will blink "00:00" or "12:00" until a new time is set. For clock setting, use buttons (9) (10) in order to set the hours and minutes, respectively, and then press timer SET button (13). The clock setting can also be performed by pressing the timer SET button (13) for 5 seconds. The clock display will blink; for a new setting, follow the steps described above.



### TURNING OFF THE AIR CONDITIONER

Press START/STOP button (1) to turn OFF the air conditioner. Operation Indicator (B) on the air conditioner will be turned off. The remote control LCD will display the clock time and room temperature or the set-point temperature. The last operating set-up will be kept for the next operation.

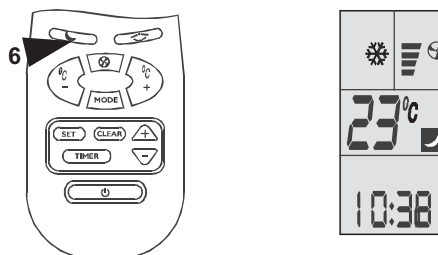


### SLEEP FUNCTION

Press SLEEP button (6) to select the SLEEP function. When the sleep function is activated, the air conditioner will be automatically turned OFF after seven hours. If at the same time TIMER OFF is activated as well, the air conditioner will be turned OFF according to the TIMER settings. TIMER indicator (A) on the air conditioner lights up during SLEEP function.

To cancel SLEEP function press one of the following:

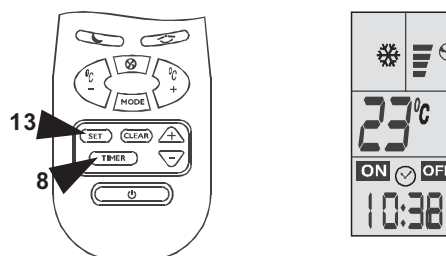
- START/STOP button (1)
- SLEEP button (6)



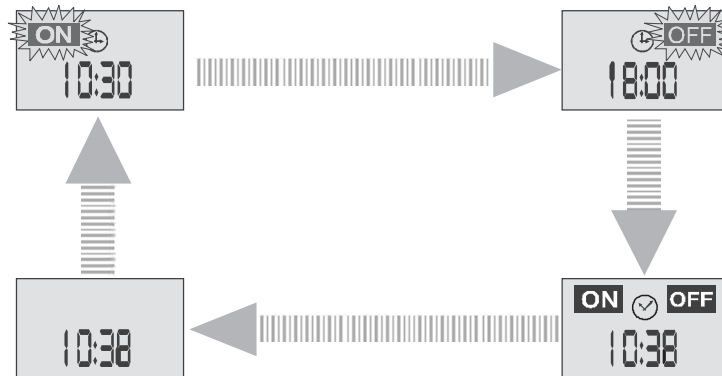
### TIMER OPERATION

Press the TIMER select button (8) to activate the timer operation mode. Each time the TIMER button (8) is pressed, one of the four types of operation modes (shown below) will appear on the LCD display. The operation modes are sequenced in the direction of arrow. Indicator (A) on the air conditioner will light up during TIMER operation.

**NOTE:** After a power failure, the TIMER indicator (A) will blink. When the unit is in TIMER mode, the unit will automatically change to STAND BY mode and the timer operation will be cancelled. To resume the timer operation, follow the instructions, above.



## TIMER OPERATING MODES



### I. TIMER ON

This mode enables you to set a time for starting its operation. Press the TIMER button (8) until the ON sign blinks. Starting time can be adjusted using the up and down buttons (9) and (10), respectively. Press SET button (13) to activate the timer.

**Example:** Operation is restored at 10:30

### II. TIMER OFF

This mode enables you to set the time at which timer stops its operation. Press the timer button (8) twice and the OFF sign will blink. Time can be adjusted by using the up and down buttons (9) and (10), respectively. Press SET button (13) to activate the timer.

**Example:** Operation stops at 18:00

### III. TIMER ON AND OFF

This mode enables you to set the start and stop time of operation. Press the TIMER button (8) until the ON sign blinks; by pressing again the OFF sign will blink. Time can be adjusted by using the up and down buttons (9) and (10), respectively. Press SET button (13) to activate the timer.

**Example:** Operation is restored at 10:30 and stops at 18:00.

### IV. CLEAR

Use this mode to cancel timer operation. Press CLEAR button (14) and timer operation will terminate, and the LCD display will be cleared for each timer mode. When the CLEAR button is pressed, the timer indicator (A) will turn OFF.

**NOTE:** If the timer button (8) is selected and neither TIME ADJUST, SET, or CLEAR buttons are pressed within 15 seconds, the timer operation will be cancelled and the last set-up will be displayed.

## ❑ OPERATION - (For Mechanical Models)

The air conditioner has the following features:

- On-unit operation control
- Indicator control lights
- Warning light
- Thermostat

### ON UNIT CONTROL AND DISPLAY PANEL (See Figure17)

In order to obtain maximum comfort and economical operation, please make sure to:

- Follow the instructions for Installation For Cooling on page 5.
- Be sure that the air outlet and inlet openings on the unit are unobstructed.
- Shade the room from direct sunrays and avoid excessive sources of heat in the room.

#### A - Selector switch knob

##### Selector switch positions

- A1. Off
- A2. Fan only - High
- A3. Cooling - High
- A4. Cooling - Low

#### B - Temperature control knob

#### C - Indicators

- C1. Cooling indicator
- C2. Operation indicator
- C3. Overflow indicator

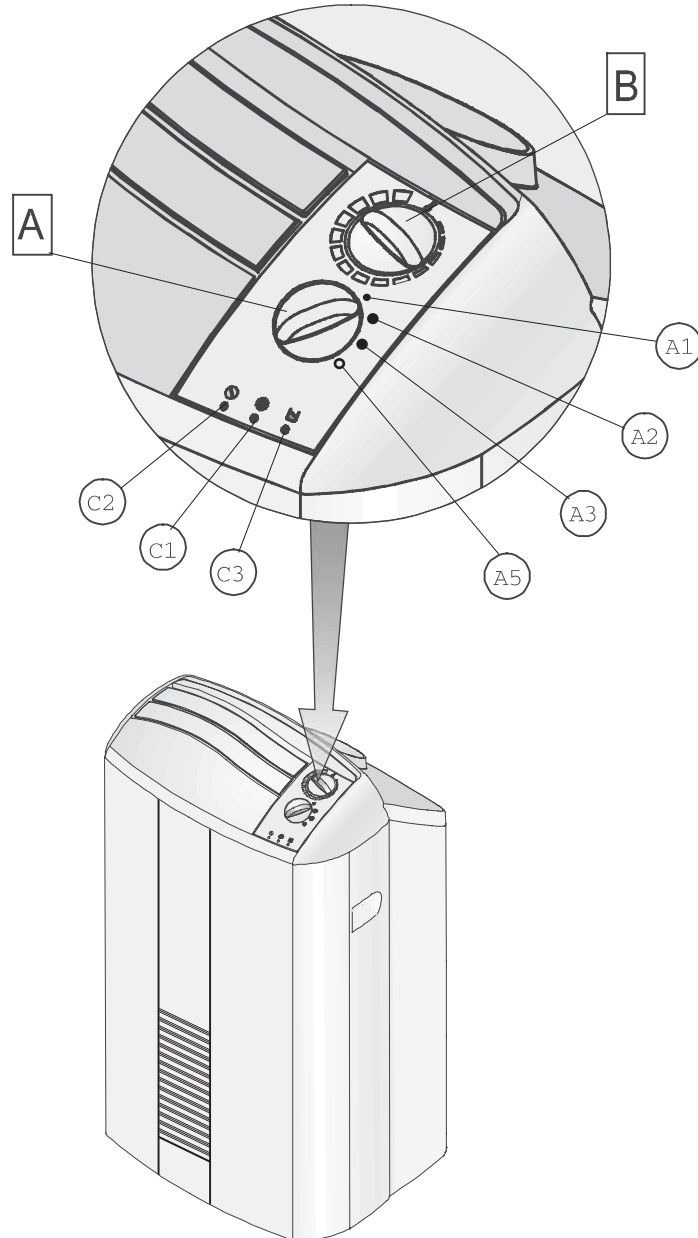


Figure 17

## OPERATING PROCEDURE

Plug the unit into a power supply, and the power supply indicator (C2) lights up. This indicates that the unit is ready for operation.

### TURNING ON THE AIR CONDITIONER

Turn the selector switch knob (A) from OFF to any desired position.

### FAN OPERATION (VENTILATING)



Turn the selector switch knob (A) to (A2)

- High fan (A2)

### COOLING OPERATION



Turn the selector switch knob (A) to one of the following positions:

- High Cooling (A3)



- Low Cooling (A4)

When the cooling mode is activated, indicator (C1) will light up. It is recommended to use the High-cooling mode (A3) when a fast drop in temperature is required, while the Low cooling mode (A4) should be used for normal, quiet operation to maintain the selected temperature.



### SELECTING THE TEMPERATURE

The desired temperature is selected by turning the temperature control knob (B).

If the temperature is lower than desired, turn knob (B) counterclockwise to a new position.

If the temperature is higher than desired, turn knob (B) clockwise to a new position.

### TURNING OFF THE AIR CONDITIONER

Turn the selector switch (A) to OFF position (A1). The operation indicator (C2) will remain ON.

#### **WARNING:**

Wait 5 minutes before restarting the cooling modes, or before changing the temperature setting.

## □ CARE AND MAINTENANCE

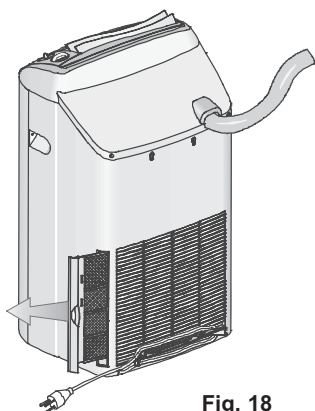


Fig. 18

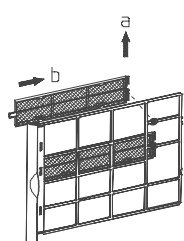


Fig. 19

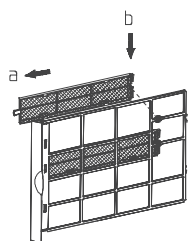


Fig. 21

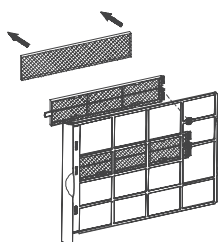


Fig. 20

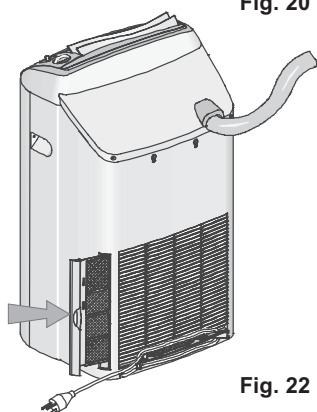


Fig. 22

### **WARNING**

Before performing any maintenance procedure, make sure to disconnect the air conditioner from the power supply.

One of the functions of the air conditioner is to filter the supplied air by collecting dust and dirt particles from the air. Your air conditioner is provided with a main filter and with two additional purifying filters, using activated carbon and electrostatic materials.

The filter should be cleaned periodically - once a month, or at least once every season under ordinary conditions.

Failure to clean the air filter will result in reduced cooling/heating capacity and may cause damage to the unit.

### **CLEANING THE AIR FILTERS**

- Main filter removal and cleaning (See Figures 18,19, 21,22)
- To Remove the main filter, hold the handle on its back and pull the filter out. (See Figure 18).
- Remove the 2 purifying filter frames from the main filter (See Figure 19).
- Rinse both sides of the main filter in lukewarm tap water and allow it to dry (not in direct sunlight).
- Attach the two purifying filter frames back on to the main filter.
- Reinstall the main filter by inserting it in the back opening of the unit and pushing the filter inwards (See Figure 22).

### **WARNING:**

**DO NOT OPERATE THE AIR CONDITIONER WITHOUT THE FILTER!**

### **PURIFICATION FILTER REPLACEMENT (See Figures 19, 20, 21)**

- The air purifying filters should be removed from the main filter and replaced once a year.
- Remove the two purifying filter frames from the main filter (See Figure 19).
- Replace the two filter elements and secure them in the frames (See Figure 20).
- Attach the two purifying filter frames back into the main filter (See Figure 21).

### **CLEANING THE AIR CONDITONER**

- Wipe the unit with a soft cloth or clean it with a vacuum cleaner.
- Do not use hot water or volatile materials which could damage the surface of the air conditioner.



### AT THE BEGINNING OF THE SEASON

- Make sure there are no obstacles blocking the flow of inlet or outlet air.
- Make sure the power supply is properly connected.

### CLEANING OUTDOOR UNIT CONDENSATE BASIN (See Figures 23 and 24)

Remove the water basin (2) by unscrewing the four screws (3) on each side of the basin. Clean the basin with water, dry and reinstall.

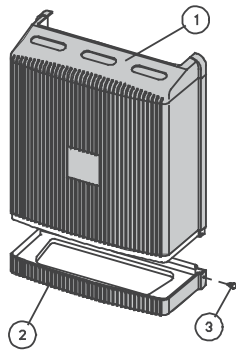


Figure 23. Removal of condensate basin  
Model 3.1 KW (R407C)

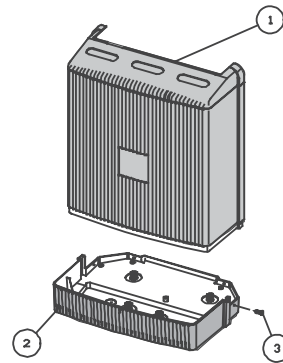


Figure 24. Removal of condensate basin  
Model 4.1 KW (R22/R410A)  
3.1 KW (R410A)

### ❑ MOVING AND STORING - ALL MODELS (See Figure 25)

Before carrying or storing, tilt the outdoor unit to empty it from any remaining condensed water, Use the carrying handles to move the unit on its castors.

Do not attempt to move the unit by pulling the flexible hose. When transporting the appliance in a vehicle, always kept it in an upright position.

#### FOR MODELS 3.1 KW (R407C) ONLY

The indoor and outdoor units should be joined together (Figure 25) when moving or storing the air conditioner. To join the units, insert attaching pins (10) of the outdoor unit into the key holes (2) of the indoor unit (see Figure 3).

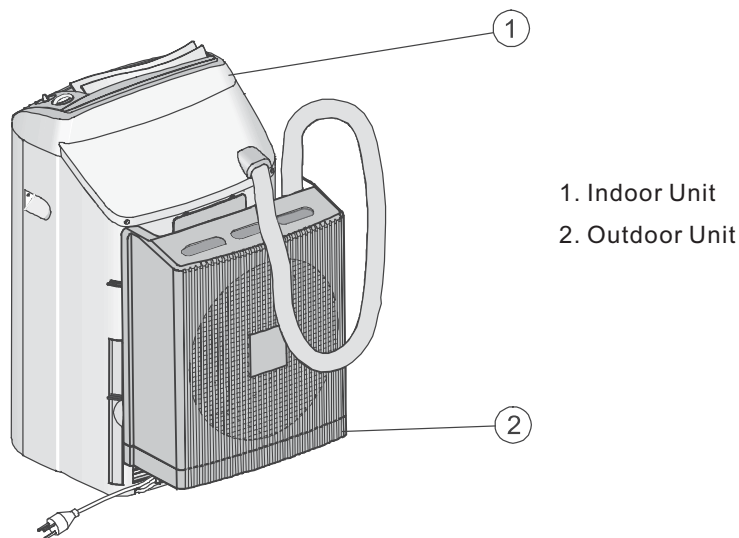


Figure 25. Units joined for moving - Model 3.1 KW (R407C) only

## ❑ IMPORTANT NOTICES

- This air conditioner has been manufactured for domestic environments and should not be used for any other purpose.
- Do not obstruct the air conditioner's air discharge and inlet.
- If repair is needed, contact only the nearest authorized service center; unqualified servicing is dangerous.
- This air conditioner is to be used by adults only. Do not allow children to play with it.
- Always ground the unit.
- Make sure that the unit is installed in a horizontal position.
- Before cleaning or performing any maintenance operations, always disconnect the electric power supply plug from the socket.
- Do not place any strain on the power cord when moving the unit.
- The air conditioner should not be installed at a place having any combustible gases, oil or sulphur in the atmosphere, or near any possible sources of heat.
- Do not place hot or heavy objects on the air conditioner.
- Clean air filter periodically.
- The air conditioner should be transported in an upright position. After transporting, wait at least one hour before switching it on.
- After transporting, wait at last one hour before turning the unit on.
- Move the unit with caution over carpets and rugs.
- Empty the water tank at the end of the day or before moving the unit over carpets and rugs.
- In case of damage to the power cord, replacement or repair should be made only by an authorized technician.
- This unit conforms to EEC Directive of Electromagnetic compatibility (89/336/EEC).

## ❑ BEFORE CALLING FOR SERVICE

Before calling for service, please check the following malfunctions and correct as needed.

Should this fail to remedy the malfunction, contact your nearest authorized service center for qualified assistance.

PROBLEM	CAUSE	SOLUTION	E	M
<ul style="list-style-type: none"> <li>Unit does not operate. Operation indicator doesn't light up.</li> </ul>	<ul style="list-style-type: none"> <li>Power failure.</li> <li>Plug is disconnected.</li> <li>The water tank is out of the unit, or not inserted properly in place.</li> </ul>	<ul style="list-style-type: none"> <li>Check main fuse.</li> <li>Insert plug in power supply socket.</li> <li>Insert the water tank in its place.</li> </ul>	X	X
<ul style="list-style-type: none"> <li>Unit operates for only brief periods in cooling or dry mode.</li> </ul>	<ul style="list-style-type: none"> <li>Improper temperature setting.</li> </ul>	<ul style="list-style-type: none"> <li>Decrease temperature setting.</li> </ul>	X	X
<ul style="list-style-type: none"> <li>Unit functions, but does not perform efficiency.</li> </ul>	<ul style="list-style-type: none"> <li>Window is open.</li> <li>Source of heat in the room (cooker, etc.) or room is over crowded with people.</li> <li>Unit capacity is insufficient for load or room size.</li> <li>Improper temperature setting.</li> <li>Air filter is clogged.</li> <li>Loss of refrigerant.</li> <li>Room tightly closed.</li> <li>Exhaust hose blocked, twisted or bent.</li> </ul>	<ul style="list-style-type: none"> <li>Close window.</li> <li>Remove source of heat.</li> <li>Consult your dealer.</li> <li>Adjust temperature setting.</li> <li>Clean filter.</li> <li>Call for service center.</li> <li>slightly open window or outside door.</li> <li>Remove obstruction.</li> </ul>	X	X
<ul style="list-style-type: none"> <li>Water overflow warning indicator lights up or blinks. Unit does not dehumidify.</li> </ul>	<ul style="list-style-type: none"> <li>Water tank is full of water</li> </ul>	<ul style="list-style-type: none"> <li>Drain the water through the rear drain tube. See Fig. 3 (4). tube.</li> </ul>	X	X
<ul style="list-style-type: none"> <li>Unit does not heat.</li> </ul>	<ul style="list-style-type: none"> <li>Temperature setting is too low.</li> </ul>	<ul style="list-style-type: none"> <li>Reset temperature setting.</li> </ul>	X	
<ul style="list-style-type: none"> <li>Unit does not operate. Operation indicator lights.</li> </ul>	<ul style="list-style-type: none"> <li>Remote control malfunctions.</li> </ul>	<ul style="list-style-type: none"> <li>Check remote control batteries.</li> <li>Try to operate from a closer distance.</li> <li>Start from on-unit controls.</li> <li>Perform reset operation by pressing buttons (9), (10), (13), (14) for 5 seconds.</li> </ul>	X	

PROBLEM	CAUSE	SOLUTION	E	M
<ul style="list-style-type: none"> <li>Unit does not respond properly to remote control command.</li> </ul>	<ul style="list-style-type: none"> <li>IR signal does not reach unit.</li> <li>Distance between remote control and unit is too great or remote control unit is aimed at improper angle.</li> <li>IR receiver on unit is exposed to strong light source.</li> </ul>	<ul style="list-style-type: none"> <li><input type="checkbox"/> Check for obstruction between unit and remote control; clear if needed.</li> <li><input type="checkbox"/> Get closer to unit.</li> <li><input type="checkbox"/> Dim lights, especially fluorescent.</li> </ul>	X	
<ul style="list-style-type: none"> <li>Operating indicator blinks.</li> </ul>	<ul style="list-style-type: none"> <li>Compressor operates at high pressure.</li> </ul>	<ul style="list-style-type: none"> <li><input type="checkbox"/> Normal operation of the air conditioner.</li> <li><input type="checkbox"/> Open a door or a window.</li> </ul>	X	
<ul style="list-style-type: none"> <li>Filter indicator lights up.</li> </ul>	<ul style="list-style-type: none"> <li>Air filter is contaminated.</li> </ul>	<ul style="list-style-type: none"> <li><input type="checkbox"/> Clean filter, reinstall it and reset indicator.</li> </ul>	X	
<ul style="list-style-type: none"> <li>Noise from the outdoor unit.</li> </ul>	<ul style="list-style-type: none"> <li>The outdoor condensate pump is operating without water.</li> </ul>	<ul style="list-style-type: none"> <li><input type="checkbox"/> Regular operation of the air conditioner.</li> </ul>	X	X

**Legend:**

E - Electronic model

M - Electro-mechanical model

