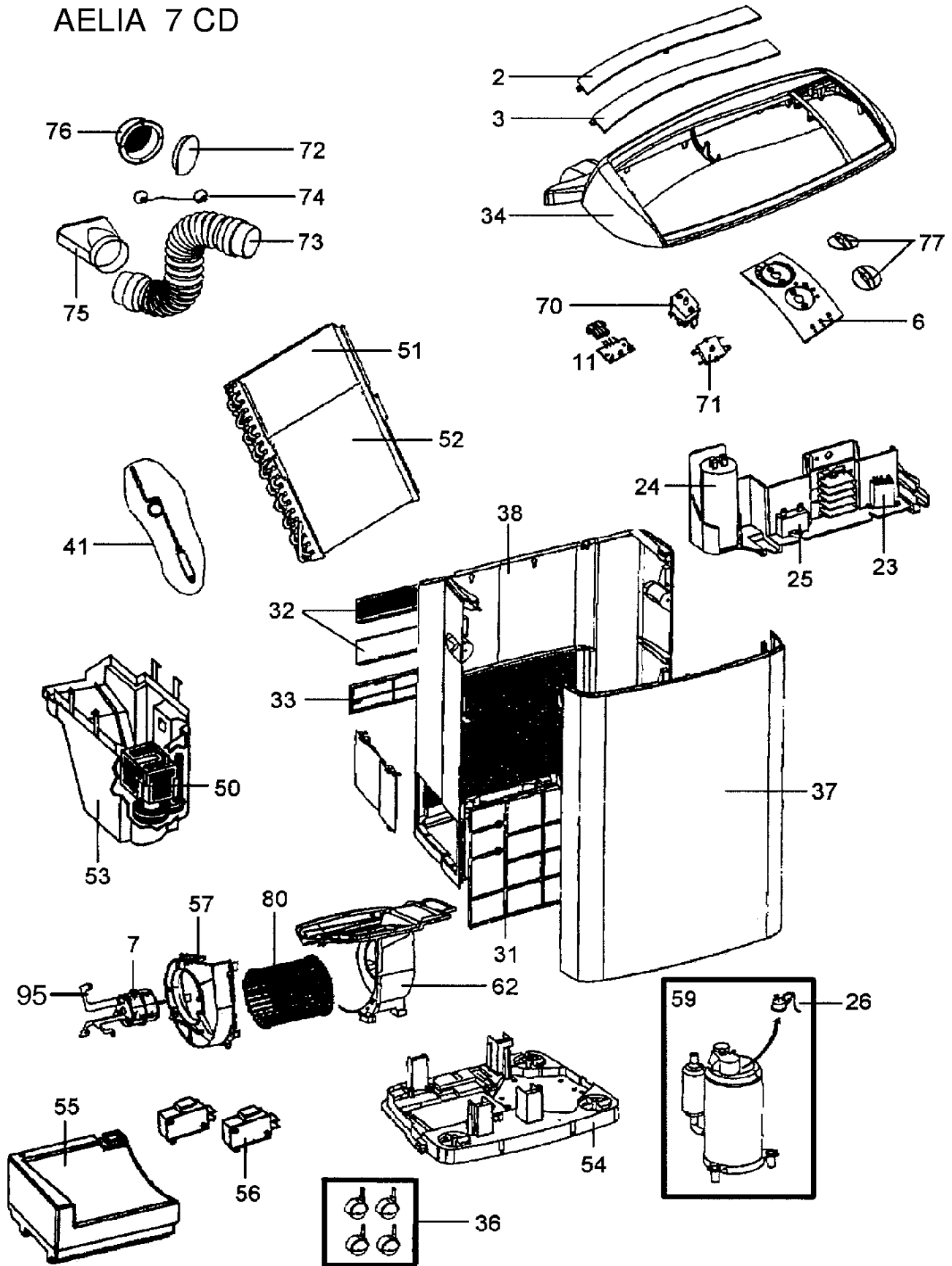


AELIA 7 CD



Modifié le 20/09/01

TH 2957 A

Brand :Airwell Model : AELIA 7 CD / R407C

Product Number : 7MB011010

Internal number : 3244

Version : Cooling only 230/1/50

Spare parts list used

Loc	Spare parts code	Replaced by	Qty	Description	Observation
32	422502		1	Active charcoal filter	
73	409821	4523088	1	Air discharge duct	
31	412206		1	Air filter	
80	4526181		1	Aluminium fan	
38	412205		1	Back panel (indoor unit)	
54	412000		1	Bottom (indoor unit)	
25	435819		1	Capacitor 2.5uF	
24	233235		1	Capacitor 25uF screw	
41	412332		1	Capillary assembly	
59	411659		1	Compressor Goldstar NK134PLA24/R407C 230V	
50	412047	9412047	1	Condensate pump Askoll 0.08A/17W	
53	412011		1	Condensate pump tray	
52	412390		1	Condenser	
77	412177		2	Control knob	
6	412171		1	Control trim panel	
32	221549		1	Electrostatic filter	
51	412391		1	Evaporator/condensor/capillary assembly	
7	4526138		1	Fan motor	
33	422588		1	Filter frame (charcoal/electrostatic)	
3	412170		1	Front air deflector	
37	412175		1	Front panel (indoor unit)	
11	412165		1	Led card	
95	900133		3	Leg motor (set of 3)	
56	412044		2	Microswitch D489Y5AA	
57	412002		1	Motor support box	
.	900130		1	Packaging Aélia 7	
26	411660		1	Protector MRA 12012-12026	
2	412169		1	Rear air deflector	
23	230181		1	Relay Finder 12A 250V type 56.32	
36	900109		1	Roller (set of 4)	
62	412001		1	Scroll	
70	412224		1	Selector 4 positions	
72	409920		1	Sleeve cover wall/window	
74	410902		1	Suction pads with hooks and tie	

Brand :Airwell Model : AELIA 7 CD / R407C

Product Number : 7MB011010

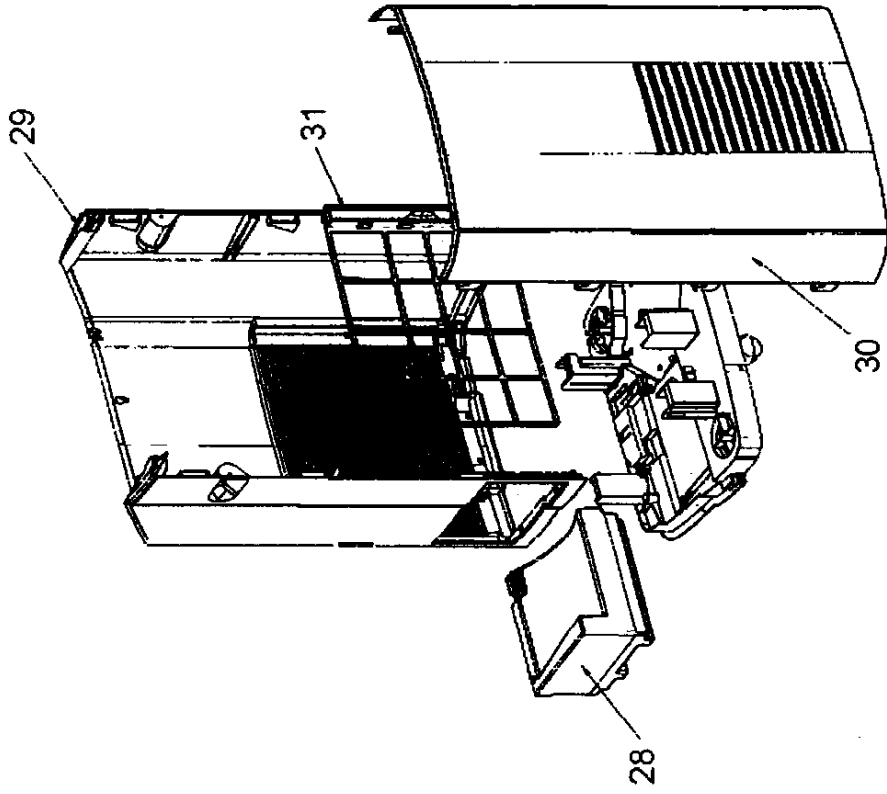
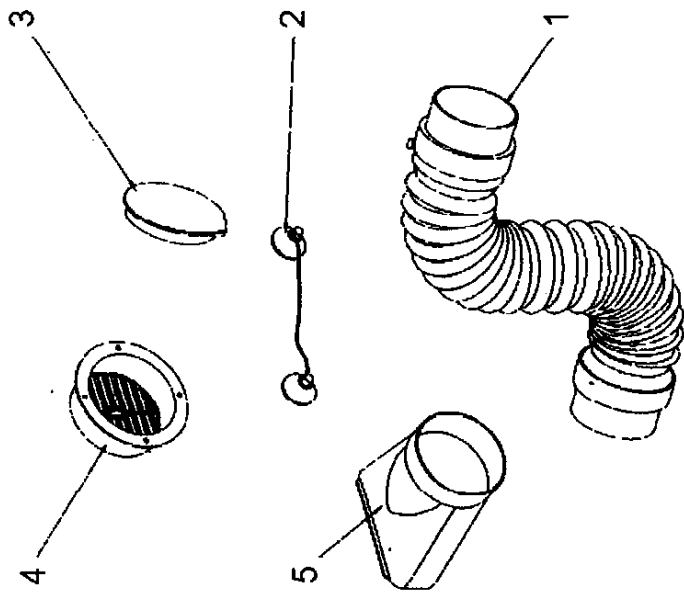
Internal number : 3244

Version : Cooling only 230/1/50

Spare parts list used

Loc	Spare parts code	Replaced by	Qty	Description	Observation
71	412269		1	Thermostat	
34	412031		1	Top panel	
76	409918		1	Wall/window sleeve	
55	412010		1	Water tank 3 litres	
75	409921		1	Window adapter	

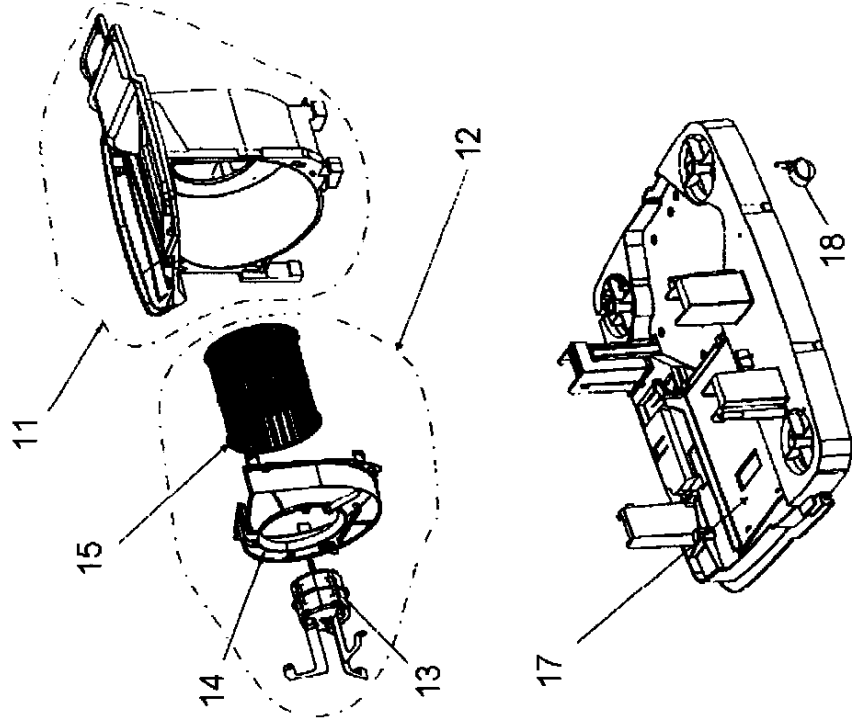
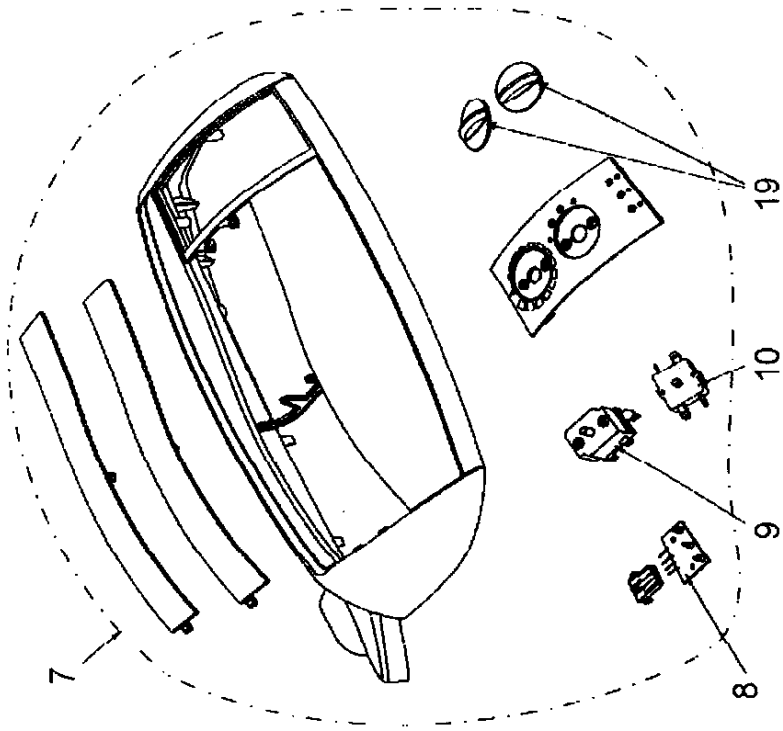
AELIA II 7 CD - IR



22/07/02
imp. RTE

TH 3508 - 1

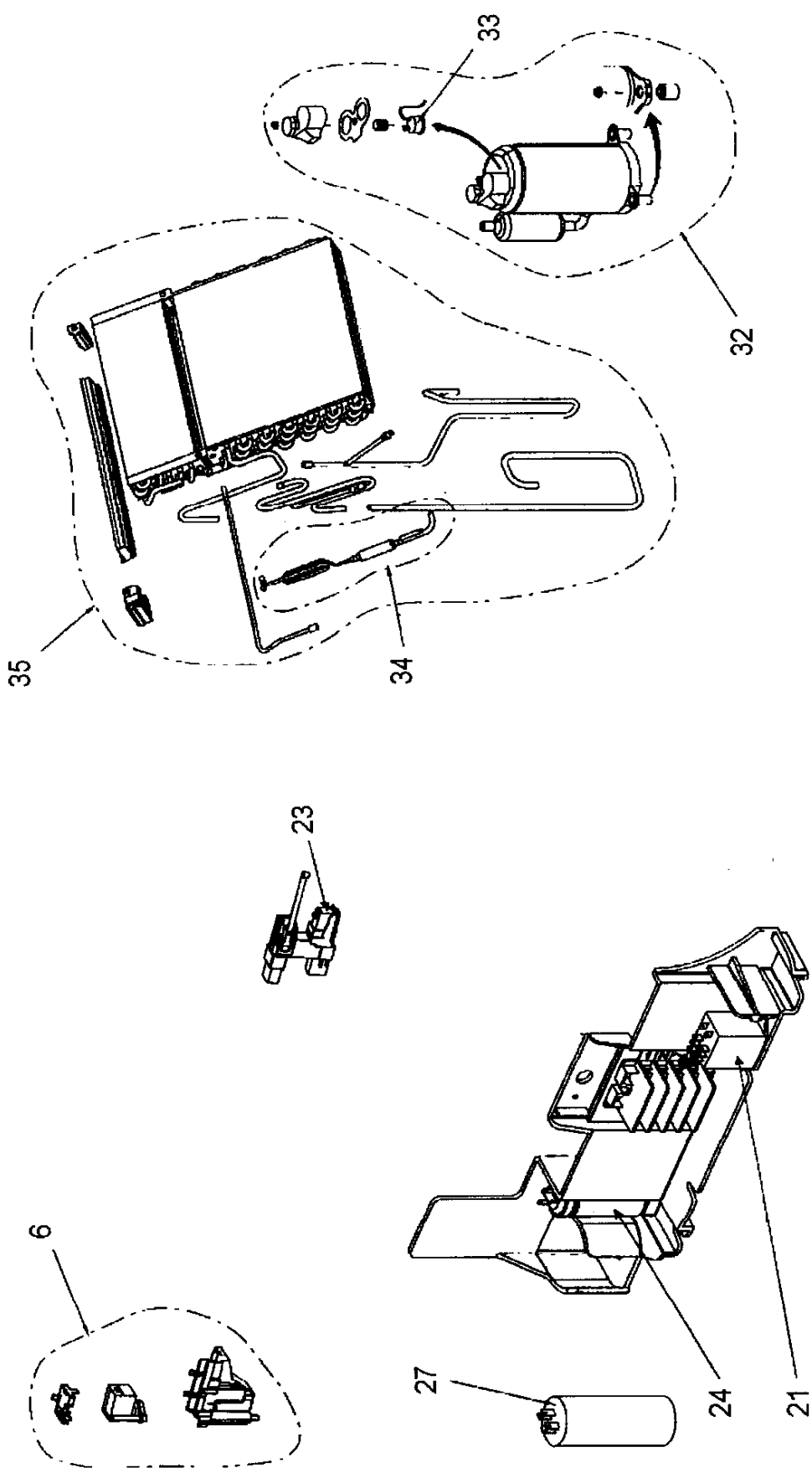
AELIA II 7 CD



22/07/02
imp. RTE

TH 3508 - 2

AELIA II 7 CD



Brand :Airwell Model : AELIA 14 RC IR/QC

Product Number : 7MB021014A

Internal number : 2007

Version : Heat pump 230/1/50

Spare parts list used

Loc	Spare parts code	Replaced by	Qty	Description	Observation
32	422502		1	Active charcoal filter	
31	412206		1	Air filter	
.	232283		1	Air recovery probe length 1,40m	no drawing
80	4526181		1	Aluminium fan	
38	412205		1	Back panel (indoor unit)	
.	438081		1	Battery probe length 680mm (black)	no drawing
.	412212		1	Battery probe length 700mm (black)	no drawing
40	410942		1	Bottom (condensate tray)	
21	412000		1	Bottom (indoor unit)	
25	435819		1	Capacitor 2.5uF	I.U.
25	412180		1	Capacitor 2uF	O.U.
24	233042		1	Capacitor 35uF/400V screw	
41	412113		1	Capillary assembly	
54	900108		1	Castor assy. right and left (outdoor unit)	
.	224210		1	Coil reversing valve L30-42480-100	no drawing
59	265355		1	Compressor Goldstar QJ292PD23A - 230 (rotary)	
53	900064		1	Condensate coupling + seal assy	
60	410111		1	Condensate pump Askoll (outdoor unit)	
.	412490		1	Condensate pump Ulka (Indoor Unit)	no drawing
52	412463		1	Condenser	
57	410040	410040R	1	Condenser fan 1050/1100rpm	
58	410542		1	Cover O.U.	
13	435969		1	Electronic card FK 15	
32	221549		1	Electrostatic filter	
51	412460		1	Evaporator	
7	4526138		1	Fan motor	
33	422588		1	Filter frame (charcoal/electrostatic)	
.	412130		1	Flat cable lg 390mm	no drawing
3	412170		1	Front air deflector	
37	412175		1	Front panel (indoor unit)	
11	412163		1	Infrared receiver card	
12	412040	A épuiser ensuite 41:	1	Infrared Remote control RC5-RC (975-630-00)	
91	410638		1	Key No. 1	
92	410639		1	Key No. 2	

Brand :Airwell Model : AELIA 14 RC IR/QC

Product Number : 7MB021014A

Internal number : 2007

Version : Heat pump 230/1/50

Spare parts list used

Loc	Spare parts code	Replaced by	Qty	Description	Observation
95	900133		3	Leg motor (set of 3)	
56	412044		2	Microswitch D489Y5AA	
9	263022		1	Motor deflectors alone	
67	412002		1	Motor support box	
.	412238		1	Outdoor unit bracket	
.	411223		2	Outdoor unit feet (to stick)	
50	411225		1	Outdoor unit support	
.	900132		1	Packaging Aélia 14	
2	412169		1	Rear air deflector	
82	410999		1	Rear panel O.U.	
5	412229		1	Remote control box	
4	412226		1	Remote control door	
43	412252		1	Removal lines	
.	224241		1	Reversing valve Ranco 1/2 (with coil)	no drawing
36	900109		1	Roller (set of 4)	
81	412001		1	Scroll	
101	409911		1	Self-sealing coupling M 1/2"	
93	409923		1	Self-sealing coupling F 1/2"	
94	409831		1	Self-sealing coupling F 3/8"	
100	409797		1	Self-sealing coupling M 3/8"	
83	900119		1	Spacer (set of 4)	
90	410902		1	Suction pads with hooks and tie	
55	900118		1	Suspension strap (set of 2)	
34	412033		1	Top panel	
30	SP00000023		1	Water pool assembly	

Brand :Airwell Model : AELIA 10 CD/QC / R407C

Product Number : 7MB021015A

Internal number : 2573

Version : Cooling only 230/1/50

Spare parts list used

Loc	Spare parts code	Replaced by	Qty	Description	Observation
32	422502		1	Active charcoal filter	
31	412206		1	Air filter	
80	4526181		1	Aluminium fan	
38	412205		1	Back panel (indoor unit)	
21	412000		1	Bottom (indoor unit)	
40	410543		1	Bottom O.U. (condensate tray)	
25	435819		1	Capacitor 2.5uF	I.U.
25	412180		1	Capacitor 2uF	O.U.
24	442342		1	Capacitor 30uF/400V	
41	412243		1	Capillary assembly	
59	430964		1	Compressor Rechi 48C313A/R407C	
.	410111		1	Condensate pump Askoll (outdoor unit)	no drawing
58	410340		1	Condensate pump assembly (O.U.)	
.	412490		1	Condensate pump Ulka (Indoor Unit)	no drawing
52	412034		1	Condenser	
57	410040	410040R	1	Condenser fan 1050/1100rpm	
72	412177		2	Control knob	
6	412171		1	Control trim panel	
39	410542		1	Cover O.U.	
.	232168		1	Deicing thermostat Ranco K55-L5715	no drawing
32	221549		1	Electrostatic filter	
51	412392		1	Evaporator	
7	412028		1	Fan motor 25W - 1280/1170/920rpm	
33	422588		1	Filter frame (charcoal/electrostatic)	
3	412170		1	Front air deflector	
37	412175		1	Front panel (indoor unit)	
91	410638		1	Key No. 1	
92	410639		1	Key No. 2	
11	412165		1	Led card	
95	900133		3	Leg motor (set of 3)	
56	412044		2	Microswitch D489Y5AA	
67	412002		1	Motor support box	
.	412238		1	Outdoor unit bracket	
.	900131		1	Packaging Aélia 10	

Brand :Airwell Model : AELIA 10 CD/QC / R407C

Product Number : 7MB021015A

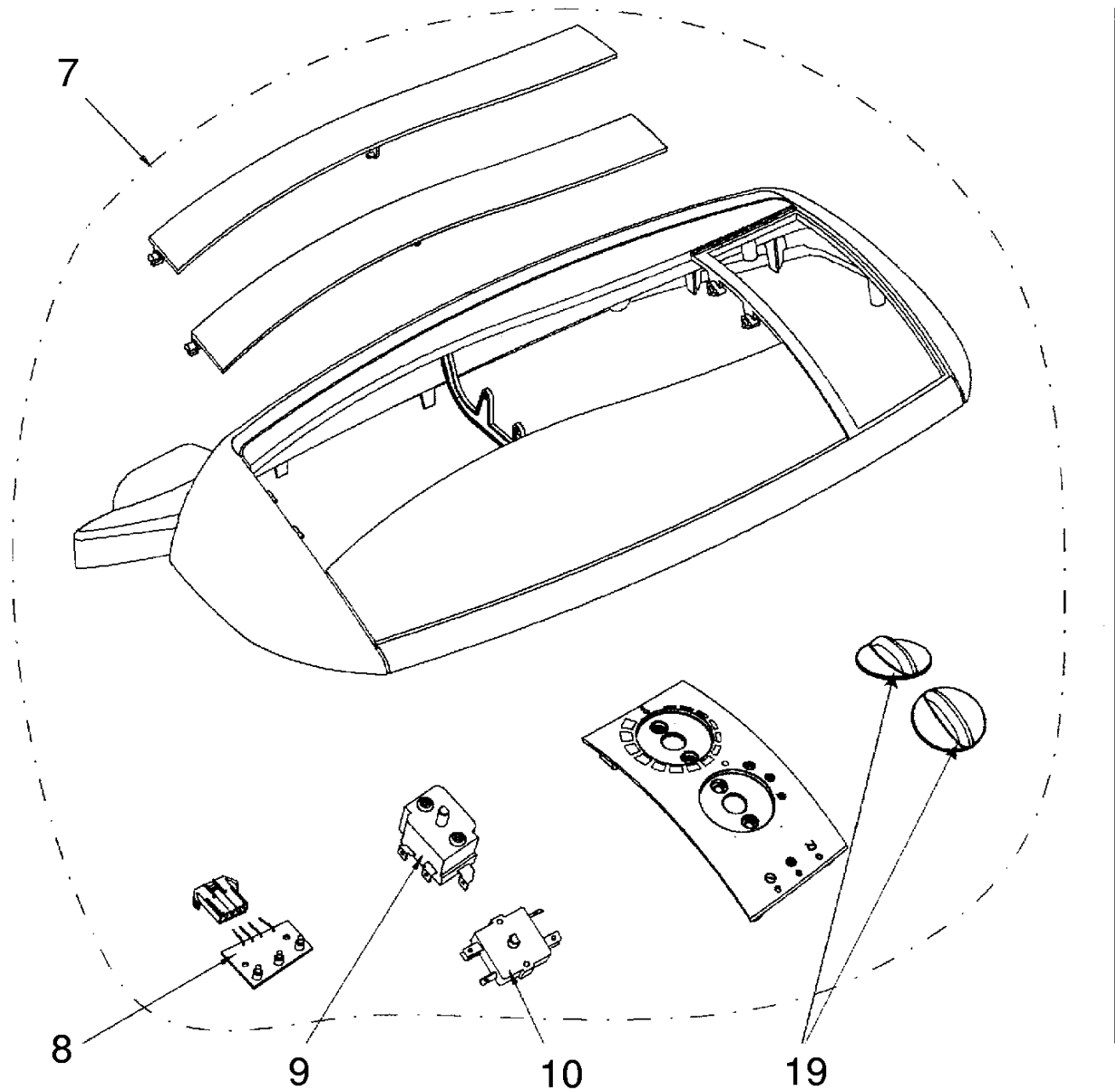
Internal number : 2573

Version : Cooling only 230/1/50

Spare parts list used

Loc	Spare parts code	Replaced by	Qty	Description	Observation
26	430093		1	Protector MRA 98704-12026	
2	412169		1	Rear air deflector	
97	412317		1	Rear grill (O.U.)	
23	230147		1	Relay Omron G7L1A TUBJ	
43	412250		1	Removal lines	
36	900109		1	Roller (set of 4)	
81	412001		1	Scroll	
73	412224		1	Selector 4 positions	
101	409911		1	Self-sealing coupling M 1/2"	
93	409923		1	Self-sealing coupling F 1/2"	
94	409831		1	Self-sealing coupling F 3/8"	
100	409797		1	Self-sealing coupling M 3/8"	
96	900134		4	Spacer (set of 4)	
90	410902		1	Suction pads with hooks and tie	
71	412269		1	Thermostat	
34	412033		1	Top panel	
30	SP000000023		1	Water pool assembly	

AELIA II 10 - 14 Direct Control Head assembly

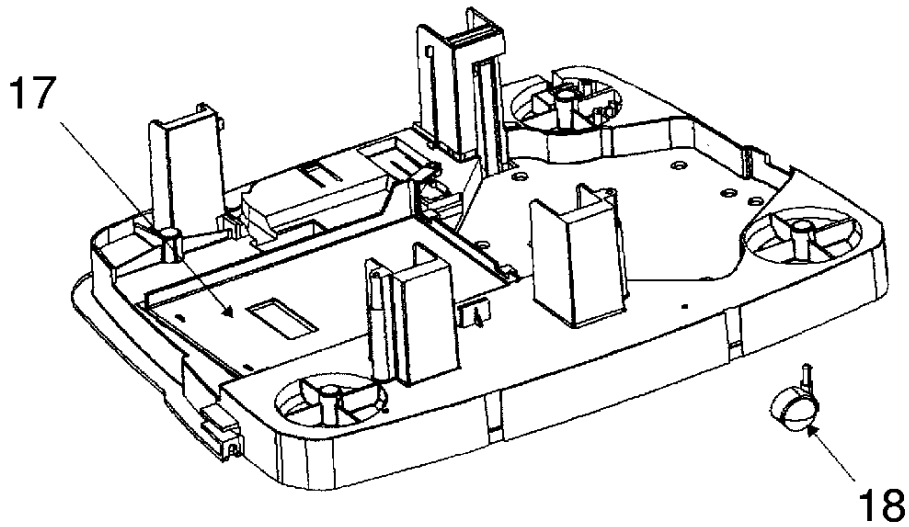
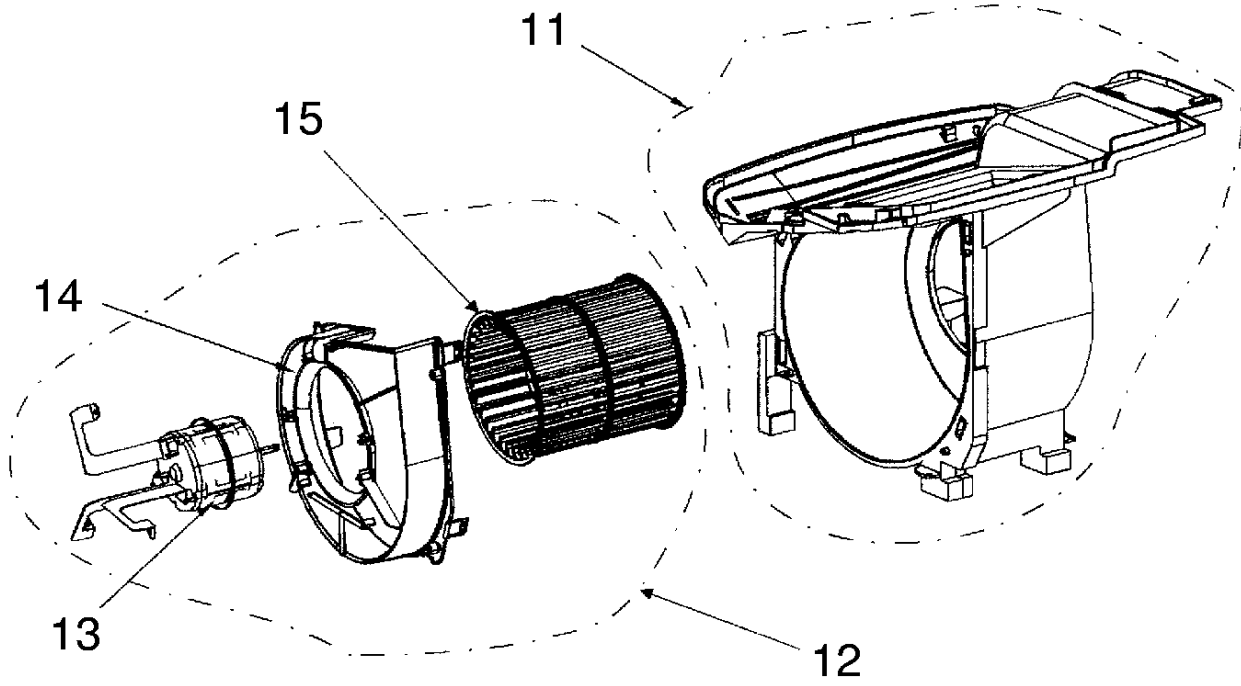


TH 3505 - 1A

imp. RTE 2/07/2002

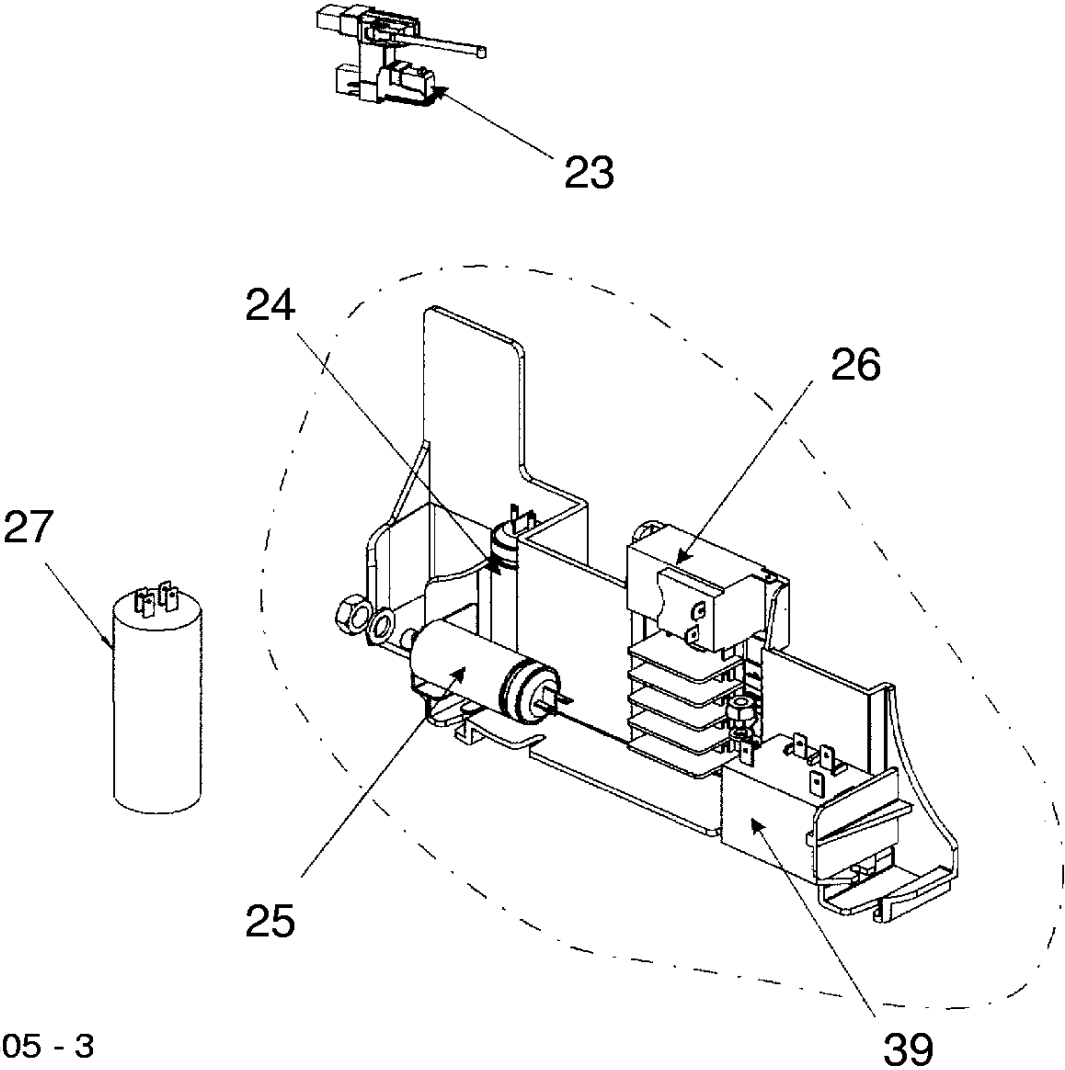
AELIA II 10 - 14

Drain pan assembly



TH 3505 - 2
imp. RTE 2/07/2002

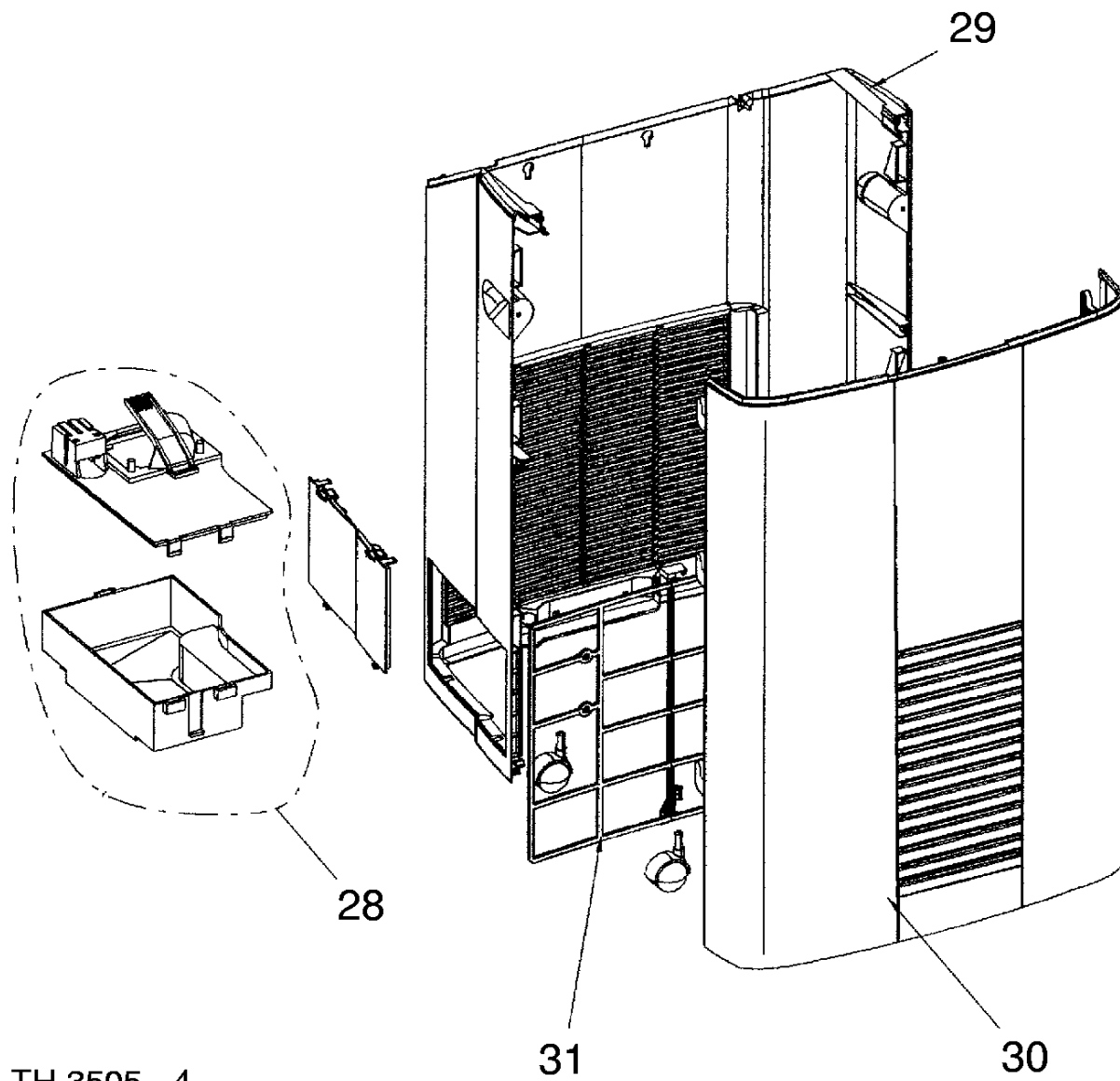
AELIA II 10 - 14 Direct Control - Electrical assembly



TH 3505 - 3
imp. RTE 2/07/2002

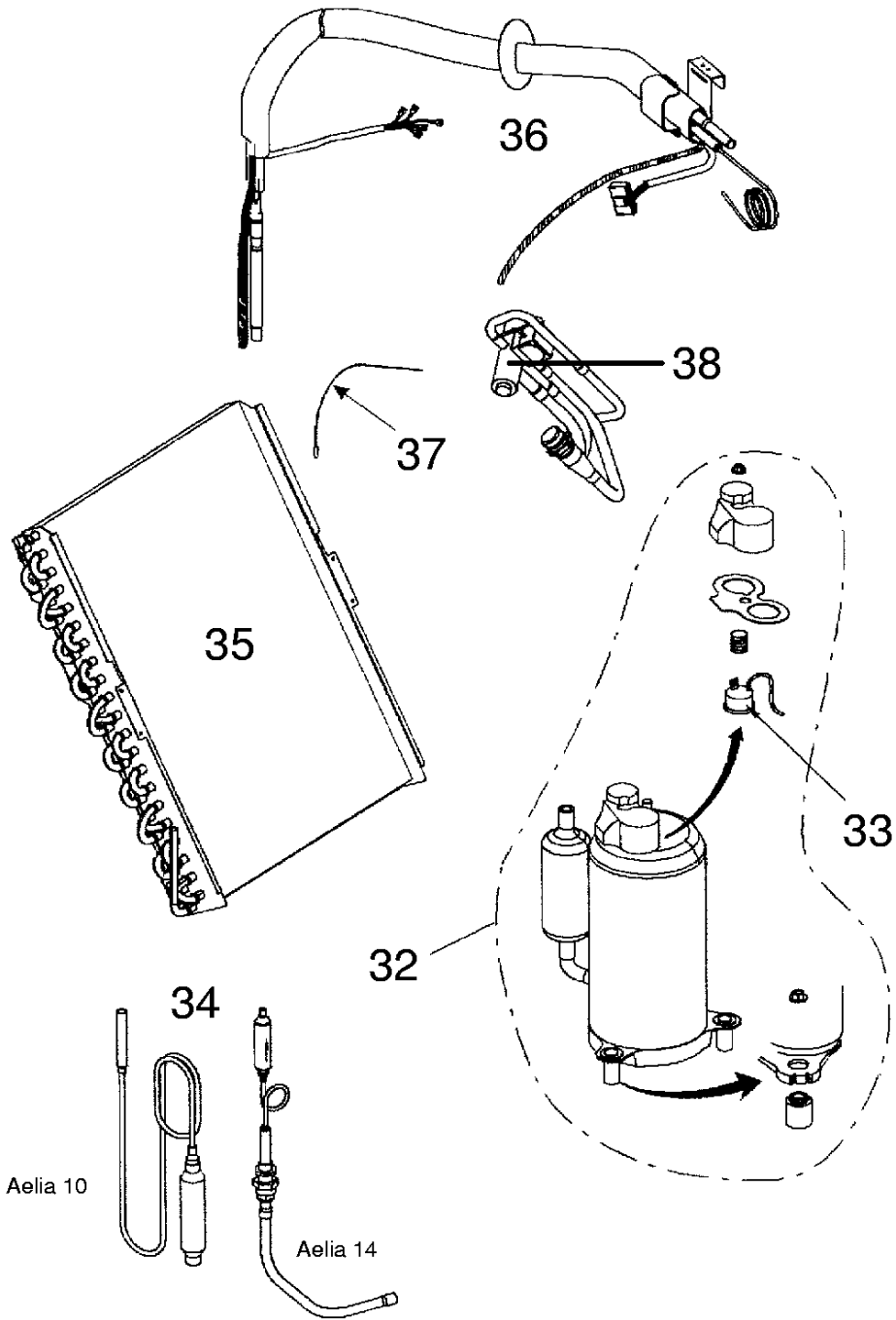
AELIA II 10 - 14

Enclosure

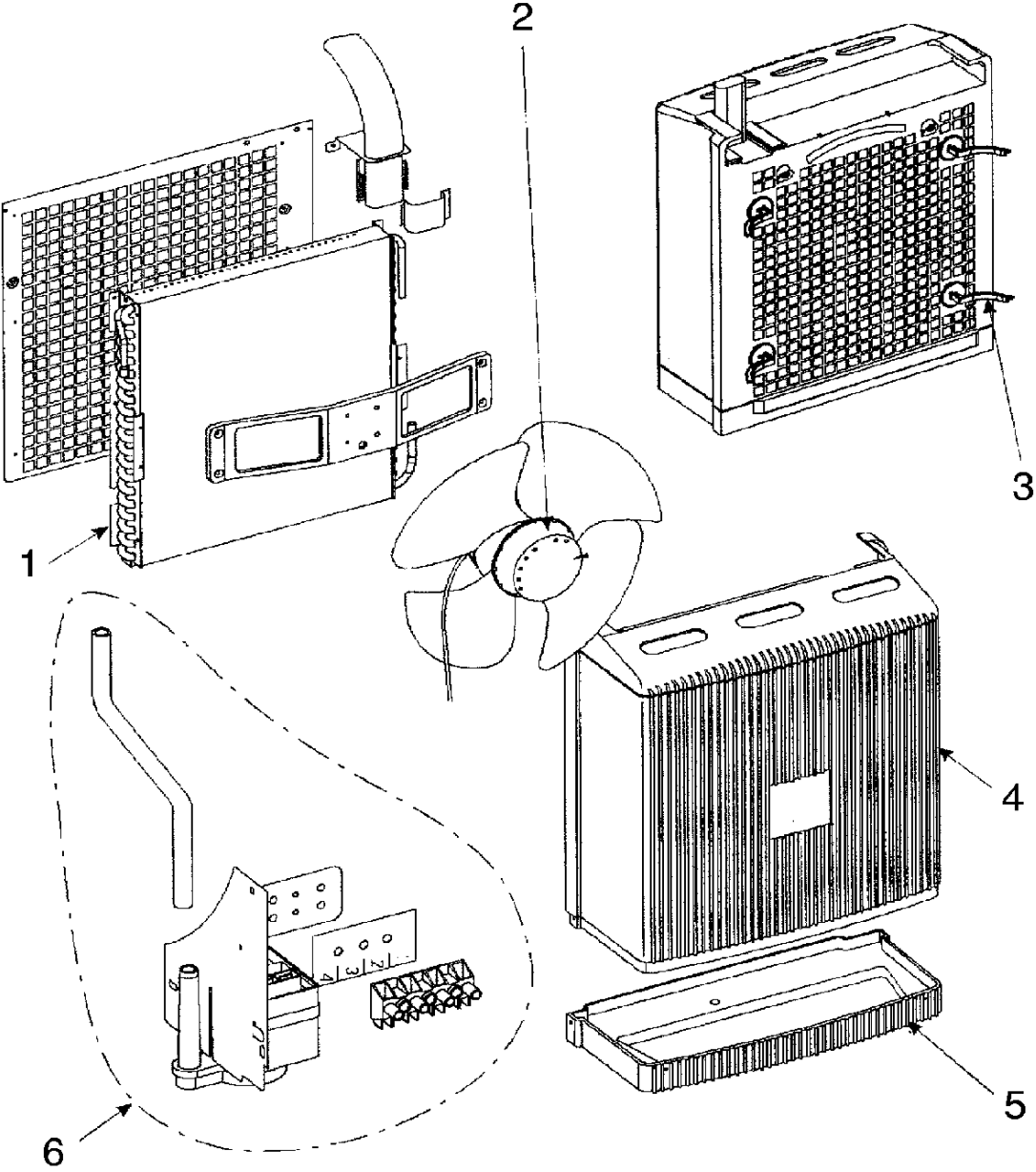


TH 3505 - 4

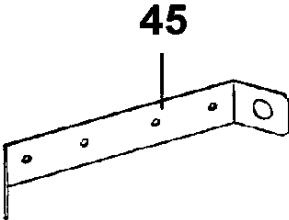
imp. RTE 2/07/2002



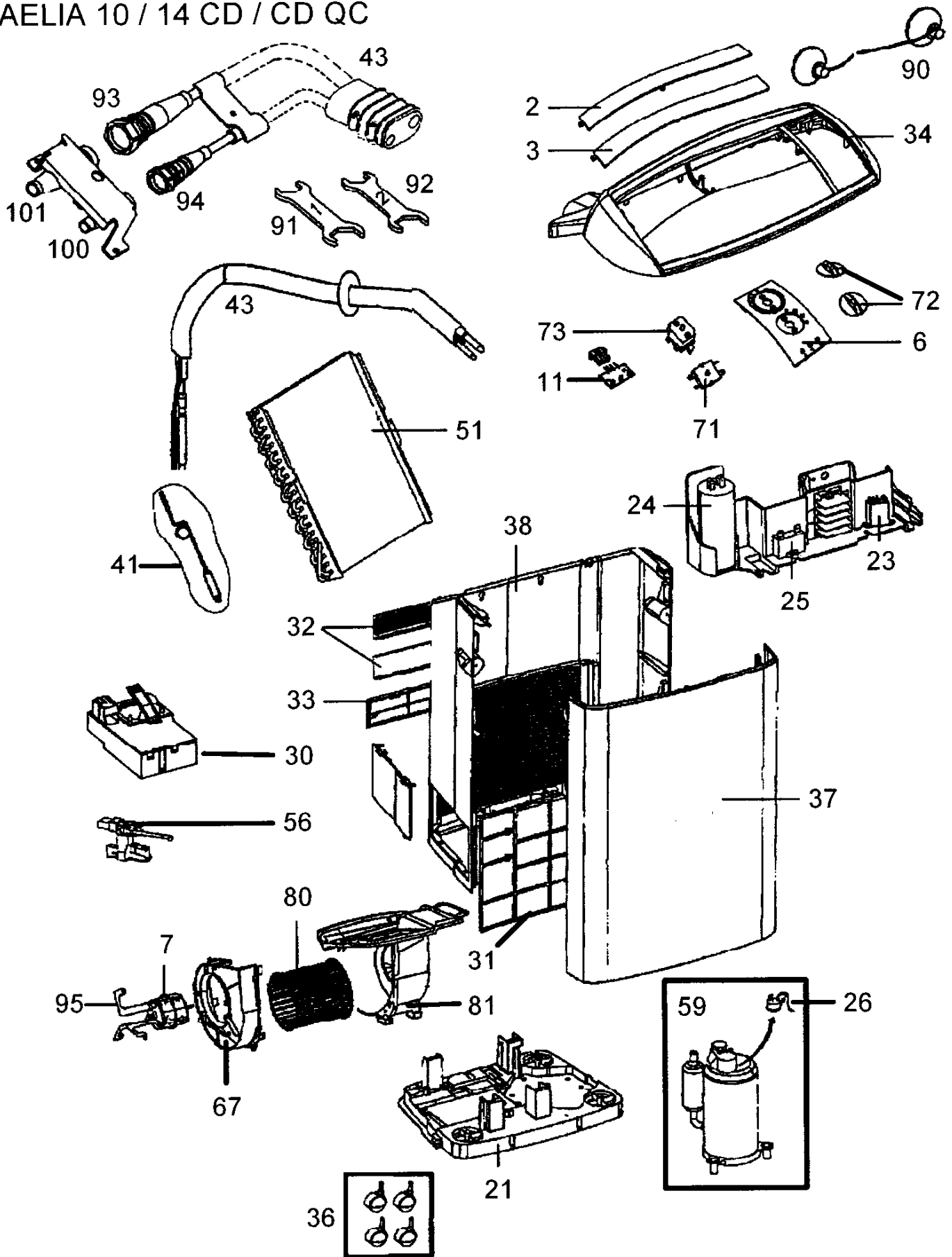
AELIA II 10 - 14 Outdoor unit general assembly



TH 3505 - 6
imp. RTE 2/07/2002

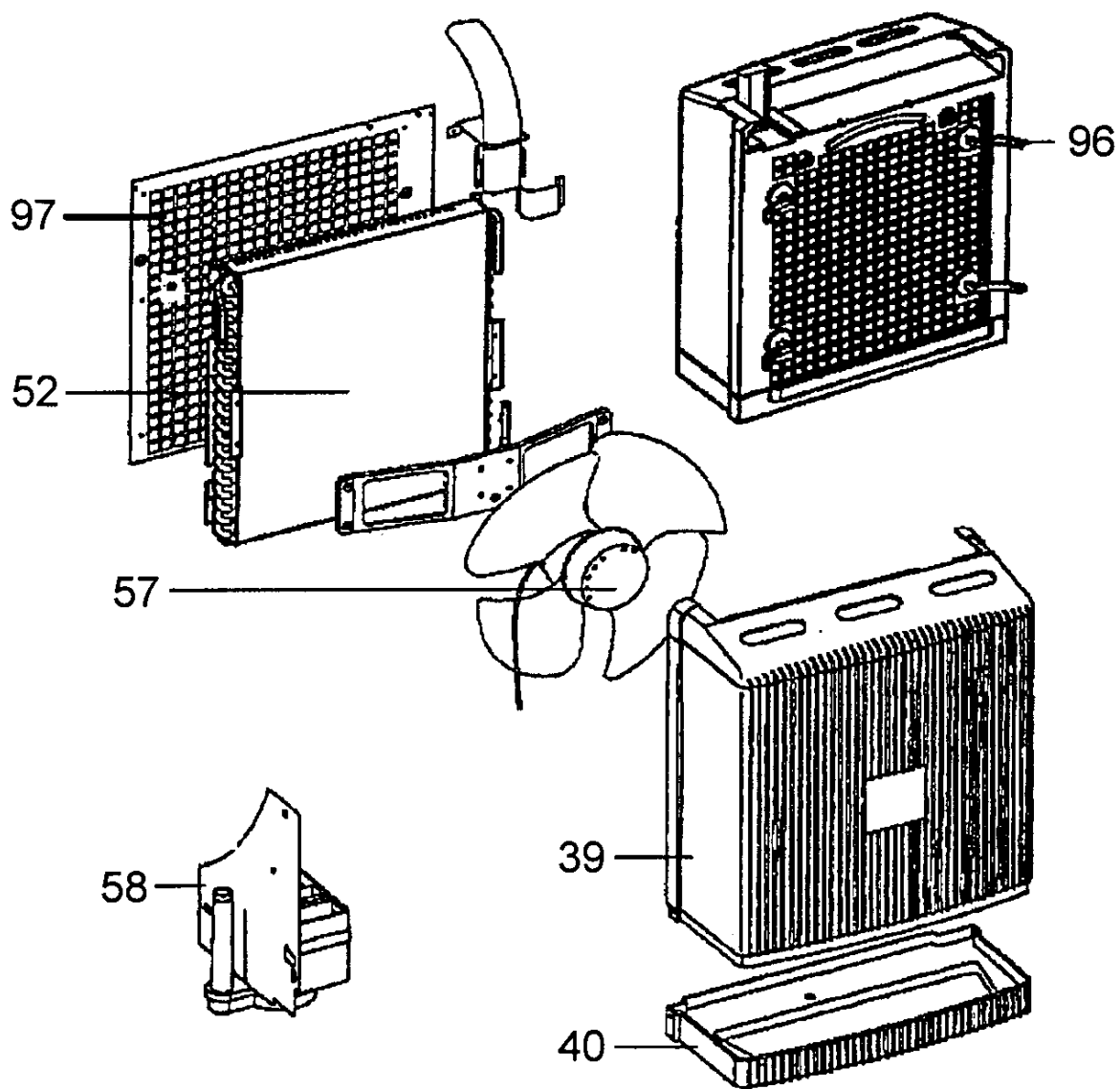


AELIA 10 / 14 CD / CD QC



TH 2956A

AELIA 10
Unité extérieure - Outdoor unit



TH 2955

Brand :Airwell Model : AELIA 10 CD/QC / R407C

Product Number : 7MB021015A

Internal number : 2573

Version : Cooling only 230/1/50

Spare parts list used

Loc	Spare parts code	Replaced by	Qty	Description	Observation
32	422502		1	Active charcoal filter	
31	412206		1	Air filter	
80	4526181		1	Aluminium fan	
38	412205		1	Back panel (indoor unit)	
21	412000		1	Bottom (indoor unit)	
40	410543		1	Bottom O.U. (condensate tray)	
25	435819		1	Capacitor 2.5uF	I.U.
25	412180		1	Capacitor 2uF	O.U.
24	442342		1	Capacitor 30uF/400V	
41	412243		1	Capillary assembly	
59	430964		1	Compressor Rechi 48C313A/R407C	
.	410111		1	Condensate pump Askoll (outdoor unit)	no drawing
58	410340		1	Condensate pump assembly (O.U.)	
.	412490		1	Condensate pump Ulka (Indoor Unit)	no drawing
52	412034		1	Condenser	
57	410040	410040R	1	Condenser fan 1050/1100rpm	
72	412177		2	Control knob	
6	412171		1	Control trim panel	
39	410542		1	Cover O.U.	
.	232168		1	Deicing thermostat Ranco K55-L5715	no drawing
32	221549		1	Electrostatic filter	
51	412392		1	Evaporator	
7	412028		1	Fan motor 25W - 1280/1170/920rpm	
33	422588		1	Filter frame (charcoal/electrostatic)	
3	412170		1	Front air deflector	
37	412175		1	Front panel (indoor unit)	
91	410638		1	Key No. 1	
92	410639		1	Key No. 2	
11	412165		1	Led card	
95	900133		3	Leg motor (set of 3)	
56	412044		2	Microswitch D489Y5AA	
67	412002		1	Motor support box	
.	412238		1	Outdoor unit bracket	
.	900131		1	Packaging Aélia 10	

Brand :Airwell Model : AELIA 10 CD/QC / R407C

Product Number : 7MB021015A

Internal number : 2573

Version : Cooling only 230/1/50

Spare parts list used

Loc	Spare parts code	Replaced by	Qty	Description	Observation
26	430093		1	Protector MRA 98704-12026	
2	412169		1	Rear air deflector	
97	412317		1	Rear grill (O.U.)	
23	230147		1	Relay Omron G7L1A TUBJ	
43	412250		1	Removal lines	
36	900109		1	Roller (set of 4)	
81	412001		1	Scroll	
73	412224		1	Selector 4 positions	
101	409911		1	Self-sealing coupling M 1/2"	
93	409923		1	Self-sealing coupling F 1/2"	
94	409831		1	Self-sealing coupling F 3/8"	
100	409797		1	Self-sealing coupling M 3/8"	
96	900134		4	Spacer (set of 4)	
90	410902		1	Suction pads with hooks and tie	
71	412269		1	Thermostat	
34	412033		1	Top panel	
30	SP000000023		1	Water pool assembly	

Brand :Airwell Model : AELIA II 10 CD/QC / R407C

Product Number : 7MB021022A

Internal number : 2782

Version : Cooling only 230/1/50

Spare parts list used

Loc	Spare parts code	Replaced by	Qty	Description	Observation
31	412206		1	Air filter	
15	4526181		1	Aluminium fan	
17	412000		1	Bottom (indoor unit)	
5	410543		1	Bottom O.U. (condensate tray)	
24	435819		1	Capacitor 2.5uF	I.U.
25	412180		1	Capacitor 2uF	O.U.
27	442342		1	Capacitor 30uF/400V	
34	412546		1	Capillary assembly	
32	430964		1	Compressor Rechi 48C313A/R407C	
6	410340		1	Condensate pump assembly (O.U.)	
.	412490		1	Condensate pump Ulka (Indoor Unit)	
1	412034		1	Condenser	
2	410040	410040R	1	Condenser fan 1050/1100rpm	
19	412177		2	Control knob	
4	410542		1	Cover O.U.	
26	232168		1	Deicing thermostat Ranco K55-L5715	
.	412289		1	Drain hose with plug (longer)	
35	412392		1	Evaporator	
13	412028		1	Fan motor 25W - 1280/1170/920rpm	
12	SP000000075		1	Fan motor unit (indoor unit)	
30	SP000000076		1	Front panel	
7	412262		1	Head panel assembly	
8	412165		1	Led card	
23	412044		1	Microswitch D489Y5AA	
14	412002		1	Motor support box	
.	412238		1	Outdoor unit bracket	
45	412544		1	Outdoor unit support	
33	439574		1	Protector Rechi MRA99271	
29	SP000000025		1	Rear panel	
39	230147		1	Relay Omron G7L1A TUBJ	
36	412250		1	Removal lines	
18	900109		4	Roller (set of 4)	
11	SP000000006		1	Scroll (indoor unit) assembly	
10	412224		1	Selector 4 positions	

Brand :Airwell Model : AELIA II 10 CD/QC / R407C

Product Number : 7MB021022A

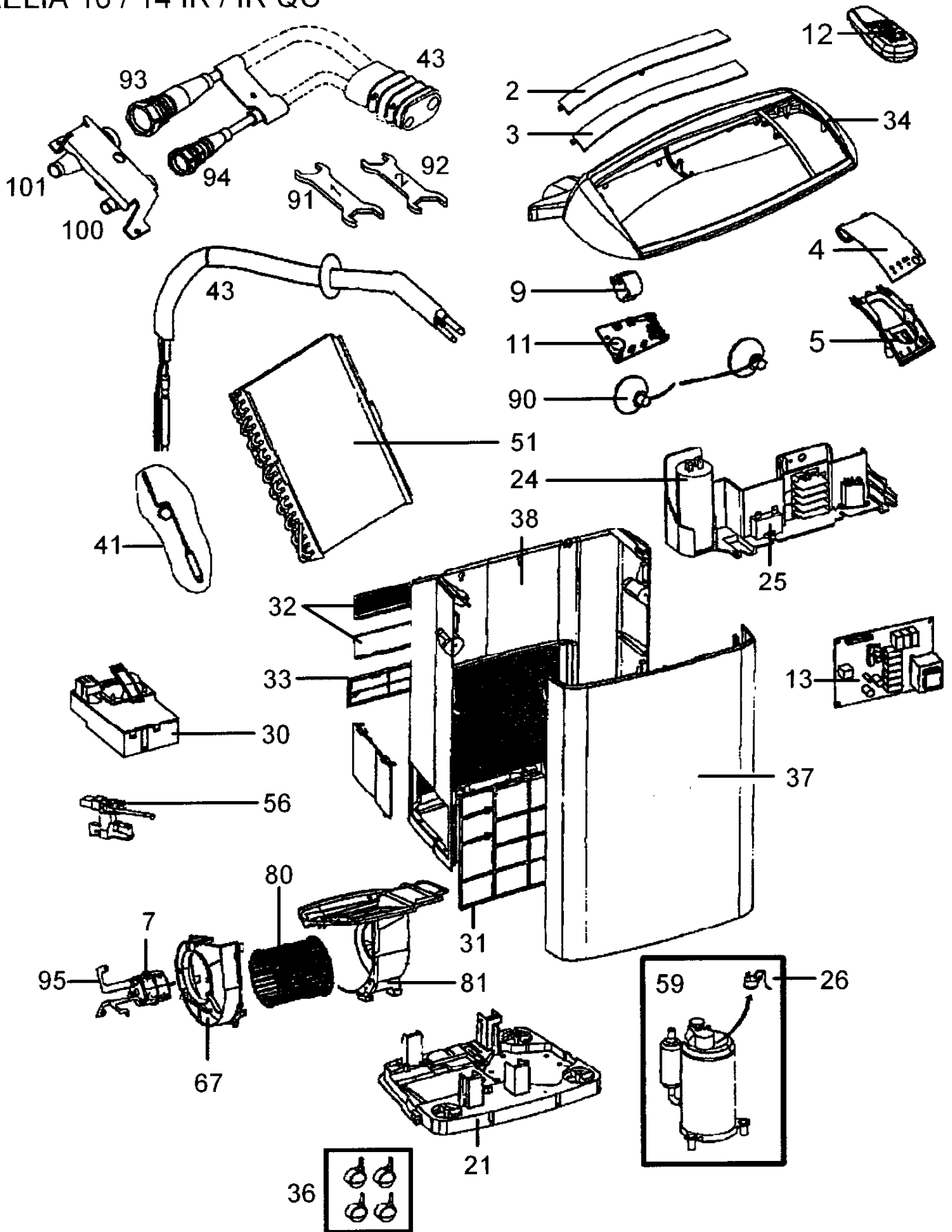
Internal number : 2782

Version : Cooling only 230/1/50

Spare parts list used

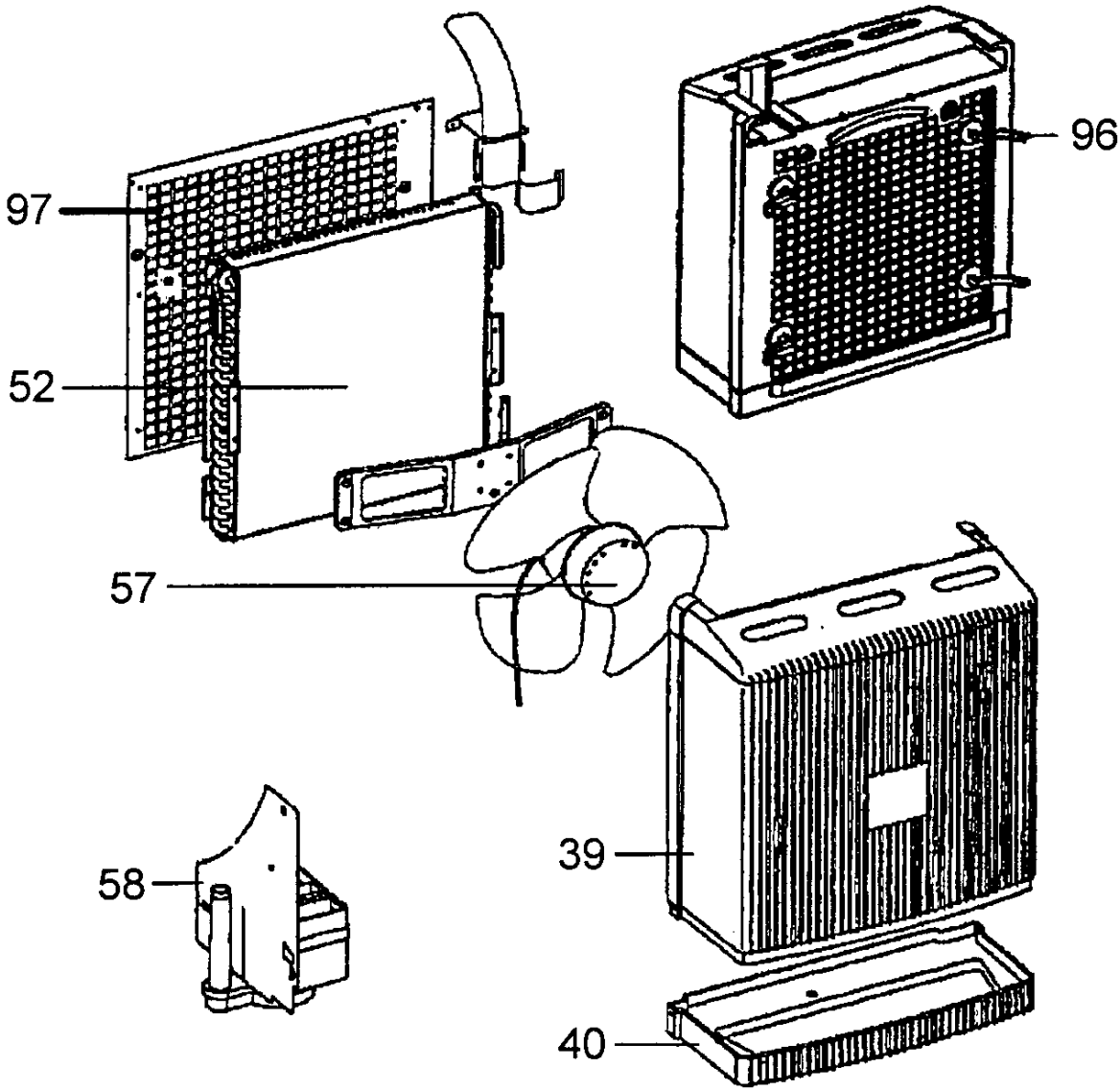
Loc	Spare parts code	Replaced by	Qty	Description	Observation
3	900134		4	Spacer (set of 4)	
46	412506		2	Suspension strap	
9	412269		1	Thermostat	
28	SP000000023		1	Water pool assembly	

AELIA 10 / 14 IR / IR QC



TH 3479

AELIA 10
Unité extérieure - Outdoor unit



TH 2955

Brand :Airwell Model : AELIA 10 IR/QC / R407C

Product Number : 7MB021016A

Internal number : 2574

Version : Cooling only 230/1/50

Spare parts list used

Loc	Spare parts code	Replaced by	Qty	Description	Observation
32	422502		1	Active charcoal filter	
31	412206		1	Air filter	
.	232283		1	Air recovery probe length 1,40m	no drawing
80	4526181		1	Aluminium fan	
38	412205		1	Back panel (indoor unit)	
.	438081		1	Battery probe length 680mm (black)	no drawing
21	412000		1	Bottom (indoor unit)	
40	410543		1	Bottom O.U. (condensate tray)	
25	435819		1	Capacitor 2.5uF	I.U.
25	412180		1	Capacitor 2uF	O.U.
24	442342		1	Capacitor 30uF/400V	
41	412243		1	Capillary assembly	
59	430964		1	Compressor Rechi 48C313A/R407C	
.	410111		1	Condensate pump Askoll (outdoor unit)	no drawing
58	410340		1	Condensate pump assembly (O.U.)	
.	412490		1	Condensate pump Ulka (Indoor Unit)	no drawing
52	412034		1	Condenser	
57	410040	410040R	1	Condenser fan 1050/1100rpm	
39	410542		1	Cover O.U.	
.	232168		1	Deicing thermostat Ranco K55-L5715	no drawing
13	435969		1	Electronic card FK 15	
32	221549		1	Electrostatic filter	
51	412392		1	Evaporator	
7	412028		1	Fan motor 25W - 1280/1170/920rpm	
33	422588		1	Filter frame (charcoal/electrostatic)	
.	412130		1	Flat cable lg 390mm	no drawing
3	412170		1	Front air deflector	
37	412175		1	Front panel (indoor unit)	
11	412163		1	Infrared receiver card	
12	412041		1	Infrared Remote control RC5 (cooling only)	
91	410638		1	Key No. 1	
92	410639		1	Key No. 2	
95	900133		3	Leg motor (set of 3)	
56	412044		2	Microswitch D489Y5AA	

Brand :Airwell Model : AELIA 10 IR/QC / R407C

Product Number : 7MB021016A

Internal number : 2574

Version : Cooling only 230/1/50

Spare parts list used

Loc	Spare parts code	Replaced by	Qty	Description	Observation
9	263022		1	Motor deflectors alone	
67	412002		1	Motor support box	
.	412238		1	Outdoor unit bracket	
.	900131		1	Packaging Aélia 10	
26	430093		1	Protector MRA 98704-12026	
2	412169		1	Rear air deflector	
97	412317		1	Rear grill (O.U.)	
5	412229		1	Remote control box	
4	412226		1	Remote control door	
43	412250		1	Removal lines	
.	435724		1	Resistor+connector 4.7Kohms	no drawing
36	900109		1	Roller (set of 4)	
81	412001		1	Scroll	
101	409911		1	Self-sealing coupling M 1/2"	
93	409923		1	Self-sealing coupling F 1/2"	
94	409831		1	Self-sealing coupling F 3/8"	
100	409797		1	Self-sealing coupling M 3/8"	
96	900134		4	Spacer (set of 4)	
90	410902		1	Suction pads with hooks and tie	
34	412033		1	Top panel	
30	SP000000023		1	Water pool assembly	

Brand :Airwell Model : AELIA II 10 IR/QC / R407C

Product Number : 7MB021023A

Internal number : 2779

Version : Cooling only 230/1/50

Spare parts list used

Loc	Spare parts code	Replaced by	Qty	Description	Observation
31	412206		1	Air filter	
21	232283		1	Air recovery probe length 1,40m	
15	4526181		1	Aluminium fan	
20	438081		1	Battery probe length 680mm (black)	
17	412000		1	Bottom (indoor unit)	
5	410543		1	Bottom O.U. (condensate tray)	
24	435819		1	Capacitor 2.5uF	I.U.
25	412180		1	Capacitor 2uF	O.U.
27	442342		1	Capacitor 30uF/400V	
34	412546		1	Capillary assembly	
32	430964		1	Compressor Rechi 48C313A/R407C	
6	410340		1	Condensate pump assembly (O.U.)	
.	412490		1	Condensate pump Ulka (Indoor Unit)	
1	412034		1	Condenser	
2	410040	410040R	1	Condenser fan 1050/1100rpm	
4	410542		1	Cover O.U.	
.	412289		1	Drain hose with plug (longer)	
40	435969		1	Electronic card FK 15	
35	412392		1	Evaporator	
13	412028		1	Fan motor 25W - 1280/1170/920rpm	
12	SP000000075		1	Fan motor unit (indoor unit)	
30	SP000000076		1	Front panel	
7	SP000000074		1	Head panel assembly	
8	412163		1	Infrared receiver card	
10	412041		1	Infrared Remote control RC5 (cooling only)	
23	412044		1	Microswitch D489Y5AA	
9	263022		1	Motor deflectors alone	
14	412002		1	Motor support box	
.	412238		1	Outdoor unit bracket	
45	412544		1	Outdoor unit support	
33	439574		1	Protector Rechi MRA99271	
29	SP000000025		1	Rear panel	
36	412250		1	Removal lines	
18	900109		4	Roller (set of 4)	

Brand :Airwell Model : AELIA II 10 IR/QC / R407C

Product Number : 7MB021023A

Internal number : 2779

Version : Cooling only 230/1/50

Spare parts list used

Loc	Spare parts code	Replaced by	Qty	Description	Observation
11	SP000000006		1	Scroll (indoor unit) assembly	
3	900134		4	Spacer (set of 4)	
46	412506		2	Suspension strap	
28	SP000000023		1	Water pool assembly	