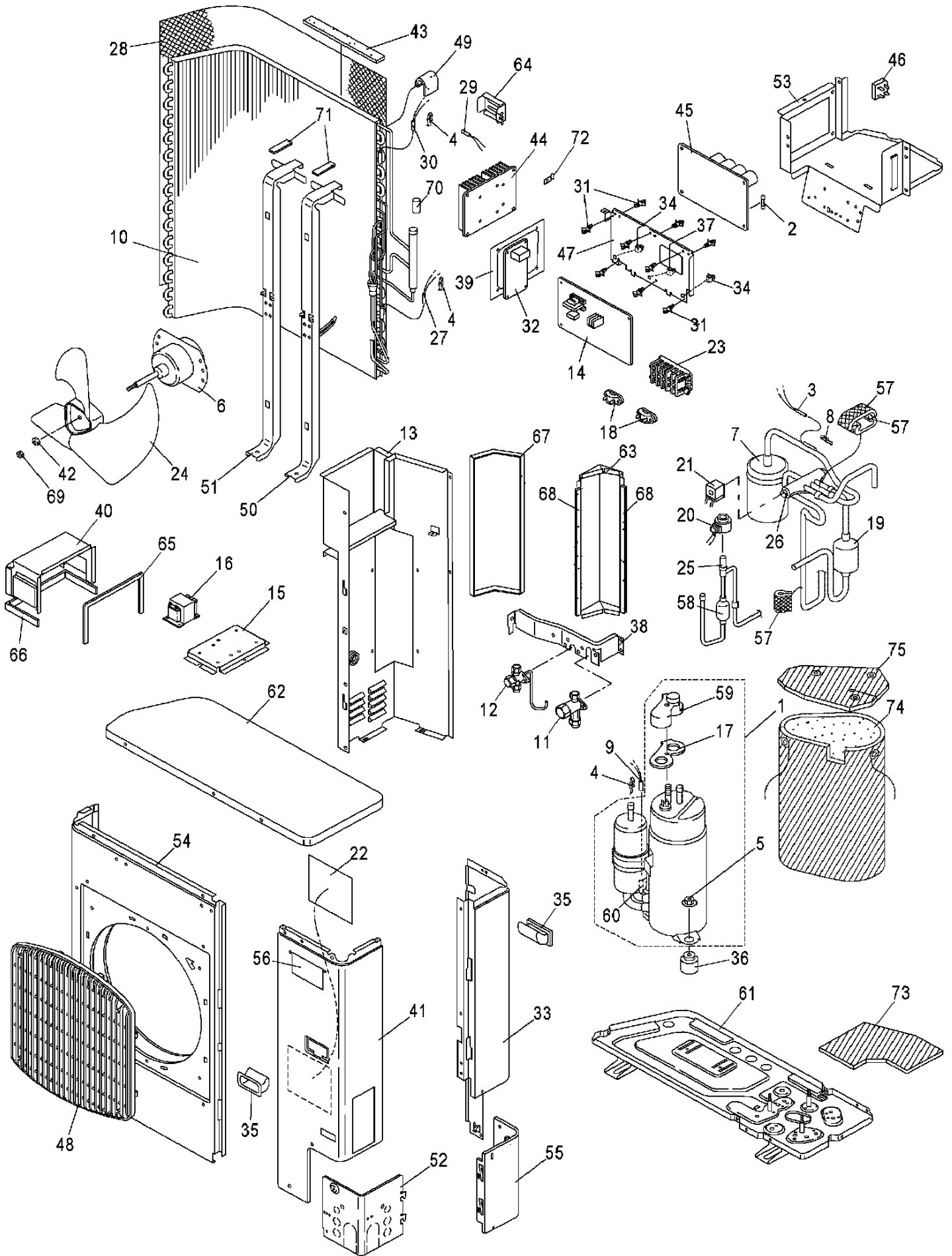


OU-PSINV-25HR



Brand :Airwell Model : OU-PSINV 25HR / R410

Product Number : 7SP06R646

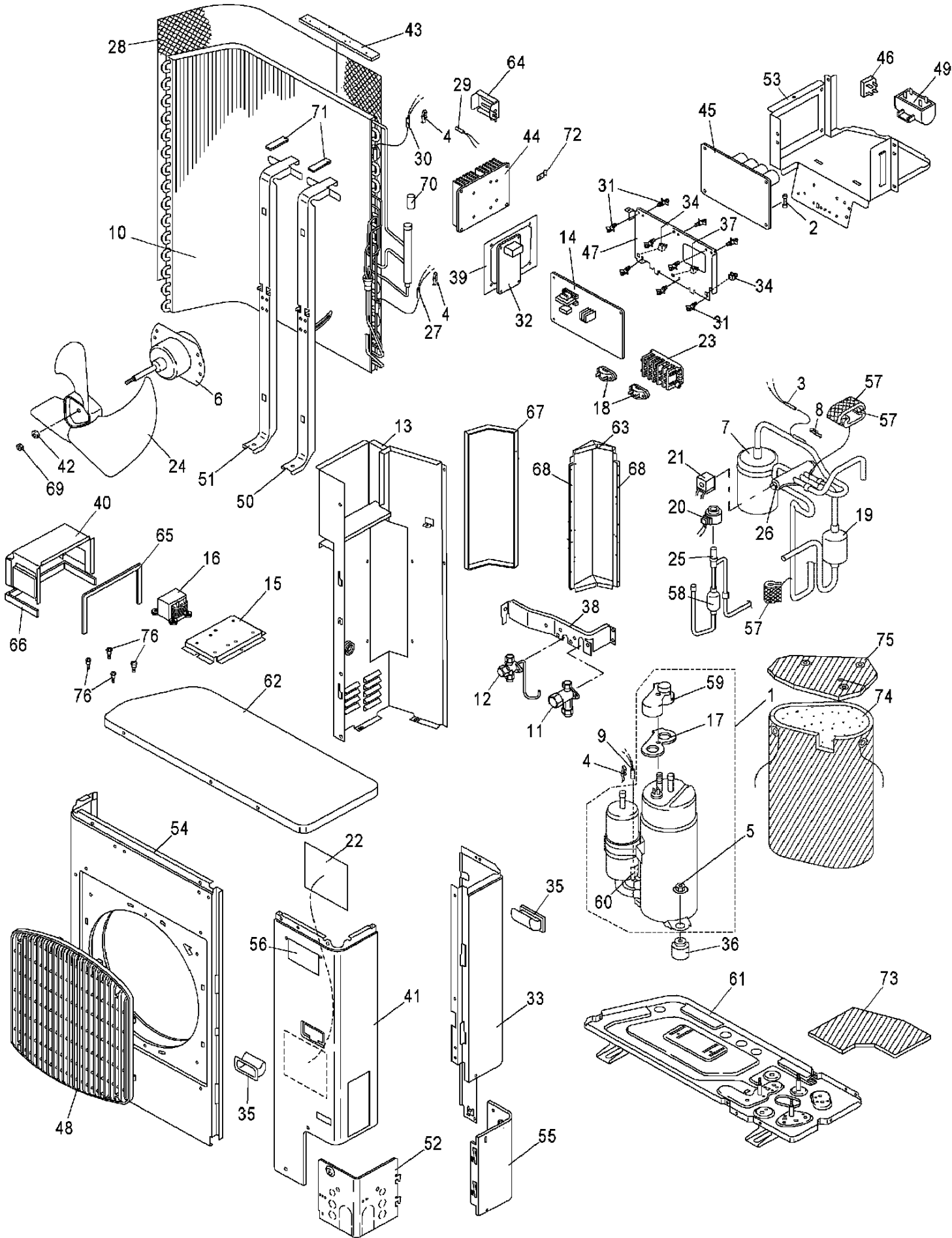
Internal number : 4500

Version : Heat pump 230/1/50

Spare parts list used

Loc	Spare parts code	Replaced by	Qty	Description	Observation
16	9231811911		1	Coil R902C2-TB	
20	9231715875		1	Coil solenoid valve UKV-U013E	
1	9231843172		1	Compressor ass'y C-7RVN153H0U	
9	9231664142		1	Compressor temperature probe	With black connector 2 pins (mark on board: TD or CN024)
10	9231811973		1	Condenser	
27	9231664661		1	Condenser probe (bottom)	With white connector 2 pins (mark on board: C1 or CN021)
30	9231812031		1	Condenser probe (top)	With white connector 3 pins (mark on board: C2 or CN020)
44	9231915886		1	Cooler A6063S-T5	
46	3070037006		1	Diode DBA250G	
6	9231811881		1	Fan motor DAJ12-95A61A	
45	9231854796		1	Filter elect. card CR-FIL140E	With capacitor and coil integrated
2	9231102378		1	Fuse FT30C-280V-25A	
11	9231811966		1	Gas valve 5/8"	
32	9231947238		1	Hybrid elect. card CR-HIC80B-E	
7	9231811874		1	Liquid accumulator ass'y	
3	9231811898		1	Liquid temp. probe	With red connector 2 pins (mark on board: TS or CN022)
12	9231811959		1	Liquid valve 3/8"	
14	9231947221		1	Main electronic card CR-CR254GVH56B	With control led and adress button
29	9231664234		1	Outdoor air temp. probe	With black connector 3 pins (mark on board: TO or CN023)
24	9380194507		1	Propeller fan	
21	9231812567		1	Reversing valve coil STF-01AJ512D	
26	9231812062		1	Reversing valve STF-0202G	
25	9231704268		1	Solenoid valve UKV-18D13	
23	9231811980		1	Terminal block	

OU-PSINV-36HR



Brand :Airwell Model : OU-PSINV 36HR / R410

Product Number : 7SP06R647

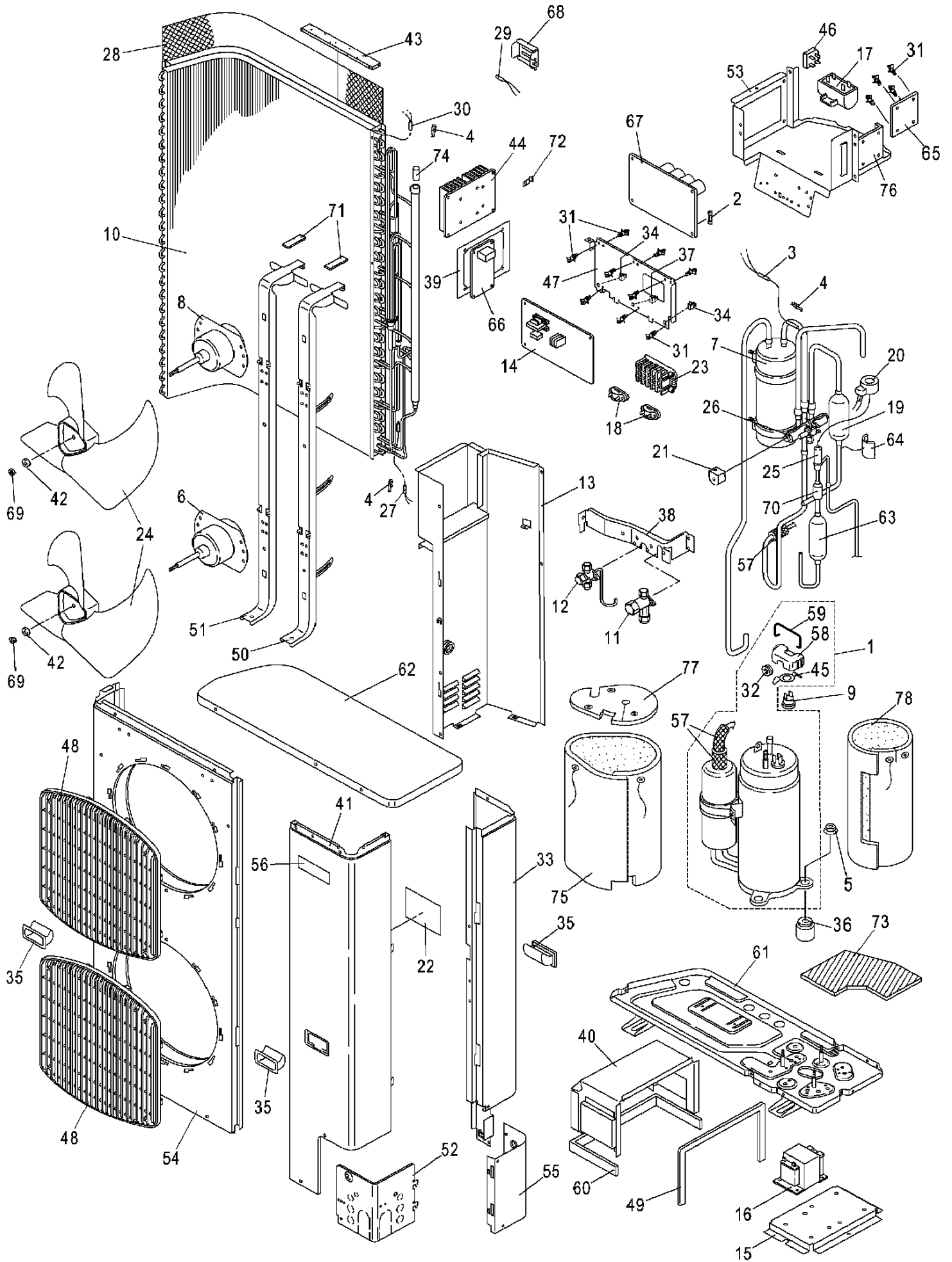
Internal number : 4501

Version : Heat pump 230/1/50

Spare parts list used

Loc	Spare parts code	Replaced by	Qty	Description	Observation
49	9231812321		1	Capacitor RU23B406R2396X	
16	9231812260		1	Coil R502AH14-T23	
20	9231715875		1	Coil solenoid valve UKV-U013E	
1	9231843172		1	Compressor ass'y C-7RVN153H0U	
9	9231664142		1	Compressor temperature probe	With black connector 2 pins (mark on board: TD or CN024)
10	9231812284		1	Condenser	
27	9231664661		1	Condenser probe (bottom)	With white connector 2 pins (mark on board: C1 or CN021)
30	9231812031		1	Condenser probe (top)	With white connector 3 pins (mark on board: C2 or CN020)
44	9231915886		1	Cooler A6063S-T5	
46	3070037006		1	Diode DBA250G	
6	9231811881		1	Fan motor DAJ12-95A61A	
45	9231854796		1	Filter elect. card CR-FIL140E	With capacitor and coil integrated
2	9231102378		1	Fuse FT30C-280V-25A	
11	9231811966		1	Gas valve 5/8"	
32	9231947238		1	Hybrid elect. card CR-HIC80B-E	
7	9231811874		1	Liquid accumulator ass'y	
3	9231811898		1	Liquid temp. probe	With red connector 2 pins (mark on board: TS or CN022)
12	9231811959		1	Liquid valve 3/8"	
14	9231947221		1	Main electronic card CR-CR254GVH56B	With control led and adress button
29	9231664234		1	Outdoor air temp. probe	With black connector 3 pins (mark on board: TO or CN023)
24	9380194507		1	Propeller fan	
21	9231812567		1	Reversing valve coil STF-01AJ512D	
26	9231812062		1	Reversing valve STF-0202G	
25	9231704268		1	Solenoid valve UKV-18D13	
23	9231811980		1	Terminal block	

OU-PSINV-48HR



Brand :Airwell Model : OU-PSINV 48HR / R410

Product Number : 7SP06R648

Internal number : 4502

Version : Heat pump 230/1/50

Spare parts list used

Loc	Spare parts code	Replaced by	Qty	Description	Observation
27	9231812604		1	Bottom condenser temp. probe	With white connector 2 pins (mark on board: C1 or CN021)
17	9231527348		1	Capacitor RU23B606R2398X	
16	9231709720		1	Coil R202AB	
20	9231715875		1	Coil solenoid valve UKV-U013E	
1	9231843189		1	Compressor ass'y C-9RVN273H0W	
9	9231812390		1	Compressor klixon	Or compressor probe (mark on board: TD or CN024)
10	9231812383		1	Condenser	
44	9231915886		1	Cooler A6063S-T5	
63	9231812512		1	Discharge muffler (bottom)	
46	3070037006		1	Diode DBA250G	
19	9231849570		1	Discharge muffler (top)	
65	9231854833		1	Electronic card CR-FAN160A1-E	Fan control
6	9231811881		1	Fan motor DAJ12-95A61A	Lower motor
67	9231854796		1	Filter elect. card CR-FIL140E	With capacitor and coil integrated
2	9231102378		1	Fuse FT30C-280V-25A	
11	9231811966		1	Gas valve 5/8"	Service valve
66	9231947788		1	Hybrid elect. card CR-HIC160B-E	
7	9231812345		1	Liquid accumulator ass'y	
3	9231519572		1	Liquid temperature probe	With red connector 2 pins (mark on board: TS or CN022)
12	9231811959		1	Liquid valve 3/8"	Service valve
14	9231947771		1	Main board ass'y CR-CR484GVH56B	With control led and adress button
8	9231812338		1	Motor fan DAJ12-95A61B	Upper motor
29	9231664234		1	Outdoor air temp. probe	With black connector 3 pins (mark on board: TO or CN023)
24	9380194507		2	Propeller fan	
21	9231812567		1	Reversing valve coil STF-01AJ512D	
26	9231812420		1	Reversing valve STF-0401G	
25	9231704145		1	Solenoid valve UKV-25D	
23	9231811980		1	Terminal block	
30	9231664166		1	Top condenser temp. probe	With white connector 3 pins(mark on board: C2 or CN020)