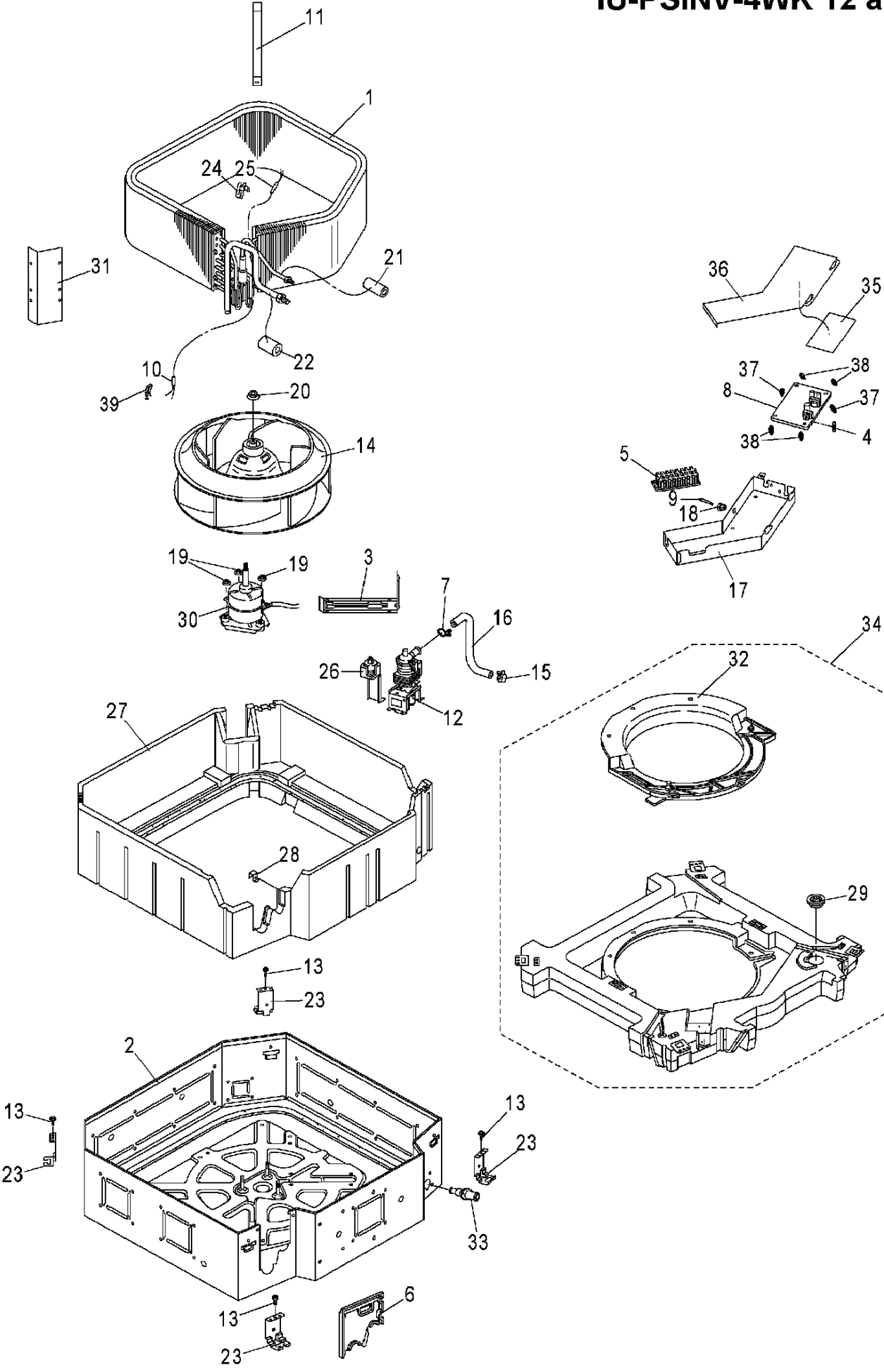


IU-PSINV-4WK 12 à 25R



**Brand :Airwell Model : IU-PSINV-4WK 12R / R410**

Product Number : 7SP04R162

Internal number : 4559

Version : Heat pump 230/1/50

**Spare parts list used**

Loc	Spare parts code	Replaced by	Qty	Description	Observation
9	9231714885		1	Air recovery probe	
23	9231714892		4	Attachment leg	
25	9231714861		1	Battery probe PB3M-41E-AS1	
29	9231714922		1	Cap rubber	
8	9231886001		1	Circuit board ass'y CB-ADR74GXH56B	
34	9231760172		1	Condensate baffle ass'y	
16	9231714823		1	Condensate pipe	
12	9231792197		1	Condensate pump ass'y ADP-1414	
33	9231714991		1	Condensate tray coupling	
1	9231715547		1	Evaporator assembly	
30	9231825673		1	Fan motor DK8-53B280H	
4	9231790445		1	Fuse BET5A	
10	9231931374		1	Liquid temperature probe	
5	9231777125		1	Terminal block	
14	9231715370		1	Turbine	
26	9231733428		1	Water level detector ass'y	

**Brand :Airwell Model : IU-PSINV-4WK 16R / R410**

Product Number : 7SP04R163

Internal number : 4560

Version : Heat pump 230/1/50

**Spare parts list used**

Loc	Spare parts code	Replaced by	Qty	Description	Observation
9	9231714885		1	Air recovery probe	
23	9231714892		4	Attachment leg	
25	9231714861		1	Battery probe PB3M-41E-AS1	
29	9231714922		1	Cap rubber	
8	9231886001		1	Circuit board ass'y CB-ADR74GXH56B	
34	9231760172		1	Condensate baffle ass'y	
16	9231714823		1	Condensate pipe	
12	9231792197		1	Condensate pump ass'y ADP-1414	
33	9231714991		1	Condensate tray coupling	
1	9231715547		1	Evaporator assembly	
30	9231825673		1	Fan motor DK8-53B280H	
4	9231790445		1	Fuse BET5A	
10	9231931374		1	Liquid temperature probe	
5	9231777125		1	Terminal block	
14	9231715370		1	Turbine	
26	9231733428		1	Water level detector ass'y	

**Brand :Airwell Model : IU-PSINV-4WK 18R / R410**

Product Number : 7SP04R164

Internal number : 4561

Version : Heat pump 230/1/50

**Spare parts list used**

Loc	Spare parts code	Replaced by	Qty	Description	Observation
9	9231714885		1	Air recovery probe	
23	9231714892		4	Attachment leg	
25	9231714861		1	Battery probe PB3M-41E-AS1	
29	9231714922		1	Cap rubber	
8	9231886001		1	Circuit board ass'y CB-ADR74GXH56B	
34	9231760172		1	Condensate baffle ass'y	
16	9231714823		1	Condensate pipe	
12	9231792197		1	Condensate pump ass'y ADP-1414	
33	9231714991		1	Condensate tray coupling	
1	9231715479		1	Evaporator assembly	
30	9231825673		1	Fan motor DK8-53B280H	
4	9231790445		1	Fuse BET5A	
10	9231931374		1	Liquid temperature probe	
5	9231777125		1	Terminal block	
14	9231715370		1	Turbine	
26	9231733428		1	Water level detector ass'y	

**Brand :Airwell Model : IU-PSINV-4WK 25R / R410**

Product Number : 7SP04R165

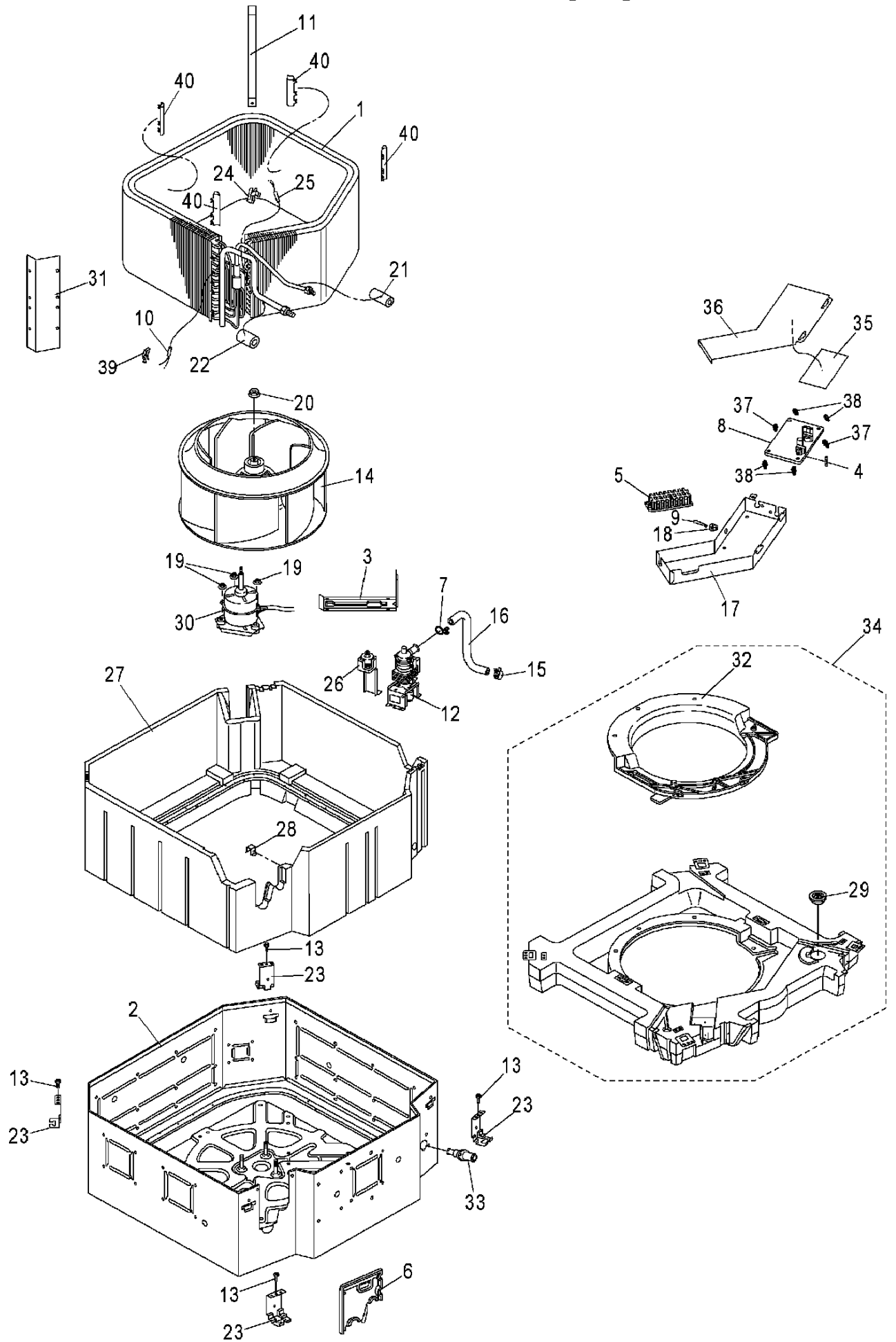
Internal number : 4562

Version : Heat pump 230/1/50

**Spare parts list used**

Loc	Spare parts code	Replaced by	Qty	Description	Observation
9	9231714885		1	Air recovery probe	
23	9231714892		4	Attachment leg	
25	9231714861		1	Battery probe PB3M-41E-AS1	
29	9231714922		1	Cap rubber	
8	9231886001		1	Circuit board ass'y CB-ADR74GXH56B	
34	9231760790		1	Condensate baffle ass'y	
16	9231714823		1	Condensate pipe	
12	9231792197		1	Condensate pump ass'y ADP-1414	
33	9231714991		1	Condensate tray coupling	
1	9231715363		1	Evaporator assembly	
30	9231825673		1	Fan motor DK8-53B280H	
4	9231790445		1	Fuse BET5A	
10	9231931374		1	Liquid temperature probe	
5	9231777125		1	Terminal block	
14	9231715370		1	Turbine	
26	9231733428		1	Water level detector ass'y	

# IU-PSINV-4WK 36 et 48R



**Brand :Airwell Model : IU-PSINV-4WK 36R / R410**

Product Number : 7SP04R166

Internal number : 4563

Version : Heat pump 230/1/50

**Spare parts list used**

Loc	Spare parts code	Replaced by	Qty	Description	Observation
9	9231714885		1	Air recovery probe	
23	9231714892		4	Attachment leg	
25	9231714861		1	Battery probe PB3M-41E-AS1	
29	9231714922		1	Cap rubber	
8	9231886001		1	Circuit board ass'y CB-ADR74GXH56B	
34	9231760790		1	Condensate baffle ass'y	
16	9231714823		1	Condensate pipe	
12	9231792197		1	Condensate pump ass'y ADP-1414	
33	9231714991		1	Condensate tray coupling	
1	9231817111		1	Evaporator assembly	
30	9231825642		1	Fan motor DK8-93C280H	
4	9231790445		1	Fuse BET5A	
10	9231931374		1	Liquid temperature probe	
5	9231777125		1	Terminal block	
14	9231714847		1	Turbine	
26	9231733428		1	Water level detector ass'y	

**Brand :Airwell Model : IU-PSINV-4WK 48R / R410**

Product Number : 7SP04R167

Internal number : 4564

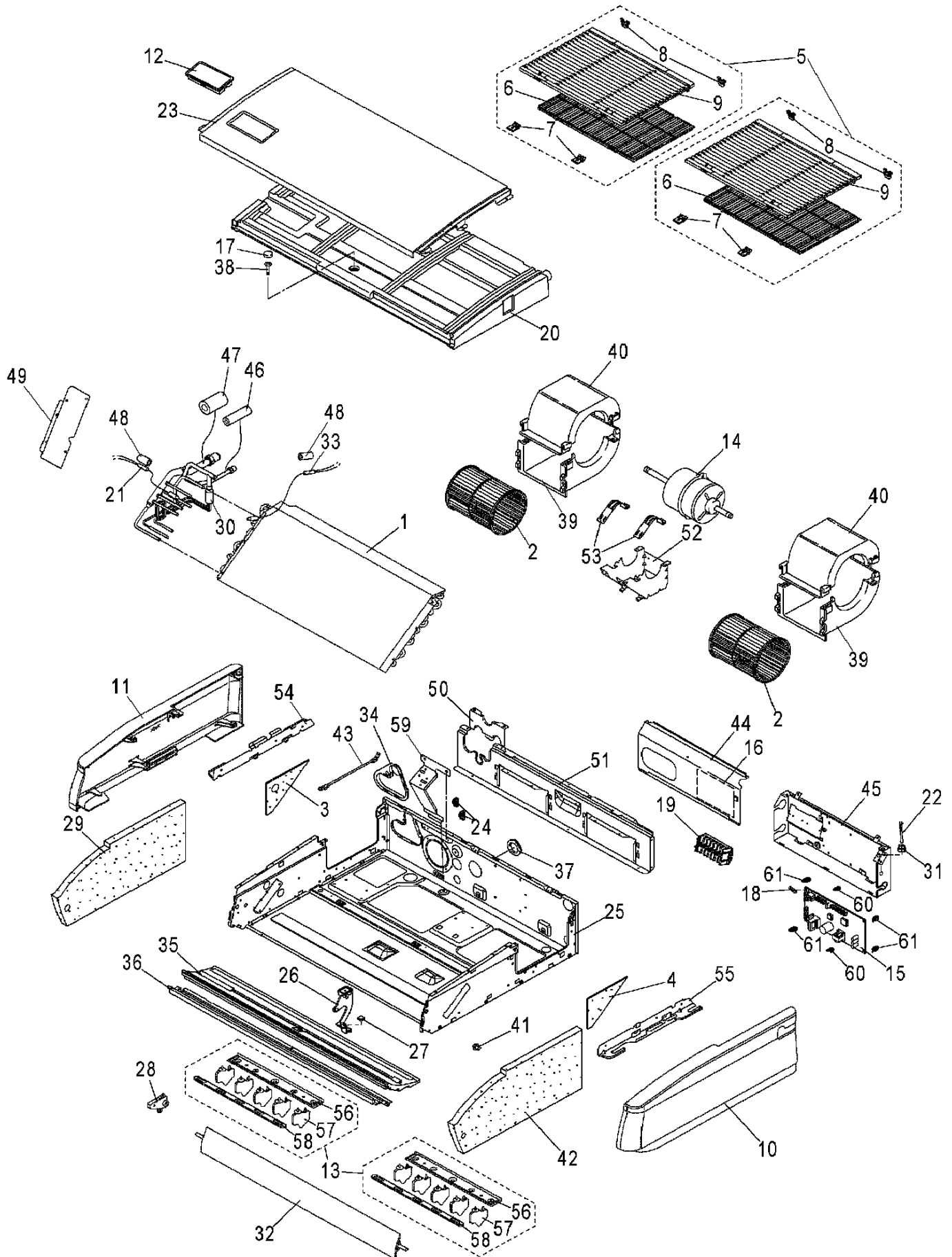
Version : Heat pump 230/1/50

**Spare parts list used**

Loc	Spare parts code	Replaced by	Qty	Description	Observation
9	9231714885		1	Air recovery probe	
23	9231714892		4	Attachment leg	
25	9231714861		1	Battery probe PB3M-41E-AS1	
29	9231714922		1	Cap rubber	
8	9231886001		1	Circuit board ass'y CB-ADR74GXH56B	
34	9231760790		1	Condensate baffle ass'y	
16	9231714823		1	Condensate pipe	
12	9231792197		1	Condensate pump ass'y ADP-1414	
33	9231714991		1	Condensate tray coupling	
1	9231817111		1	Evaporator assembly	
30	9231825642		1	Fan motor DK8-93C280H	
4	9231790445		1	Fuse BET5A	
10	9231931374		1	Liquid temperature probe	
5	9231777125		1	Terminal block	
14	9231714847		1	Turbine	
26	9231733428		1	Water level detector ass'y	



# IU-PSINV-C12 à 18R



**Brand :Airwell Model : IU-PSINV-C 12R / R410**

Product Number : 7SP02R358

Internal number : 4553

Version : Heat pump 230/1/50

**Spare parts list used**

Loc	Spare parts code	Replaced by	Qty	Description	Observation
6	9231783607		2	Air filter	
22	9231714885		1	Air recovery probe	
33	9231711358		1	Battery probe	
15	9231886001		1	Circuit board ass'y CB-ADR74GXH56B	
20	9231783744		1	Condensate tray ass'y	
28	9231783782		1	Deflector motor	
1	9231783652		1	Evaporator assembly	
14	9231828827		1	Fan motor DK8-63C280H	
5	9231783614		2	Filter+suction grill ass'y	
23	9231783737		1	Front panel	
18	9231790445		1	Fuse BET5A	
21	9231714878		1	Gas return probe PBC-41E-AS4	
32	9231783751		1	Horizontal louver	
11	9231783706		1	Left end plate	
53	9231783959		2	Motor attachment leg	
52	9231783966		1	Motor support	
10	9231783713		1	Right end plate	
9	9231783720		2	Suction grill	
13	9231783683		2	Support+deflector ass'y	
19	9231777125		1	Terminal block	
2	9231783645		2	Turbine	

**Brand :Airwell Model : IU-PSINV-C 16R / R410**

Product Number : 7SP02R359

Internal number : 4554

Version : Heat pump 230/1/50

**Spare parts list used**

Loc	Spare parts code	Replaced by	Qty	Description	Observation
6	9231783607		2	Air filter	
22	9231714885		1	Air recovery probe	
33	9231711358		1	Battery probe	
15	9231886001		1	Circuit board ass'y CB-ADR74GXH56B	
20	9231783744		1	Condensate tray ass'y	
28	9231783782		1	Deflector motor	
1	9231783652		1	Evaporator assembly	
14	9231828827		1	Fan motor DK8-63C280H	
5	9231783614		2	Filter+suction grill ass'y	
23	9231783737		1	Front panel	
18	9231790445		1	Fuse BET5A	
21	9231714878		1	Gas return probe PBC-41E-AS4	
32	9231783751		1	Horizontal louver	
11	9231783706		1	Left end plate	
53	9231783959		2	Motor attachment leg	
52	9231783966		1	Motor support	
10	9231783713		1	Right end plate	
9	9231783720		2	Suction grill	
13	9231783683		2	Support+deflector ass'y	
19	9231777125		1	Terminal block	
2	9231783645		2	Turbine	

**Brand :Airwell Model : IU-PSINV-C 18R / R410**

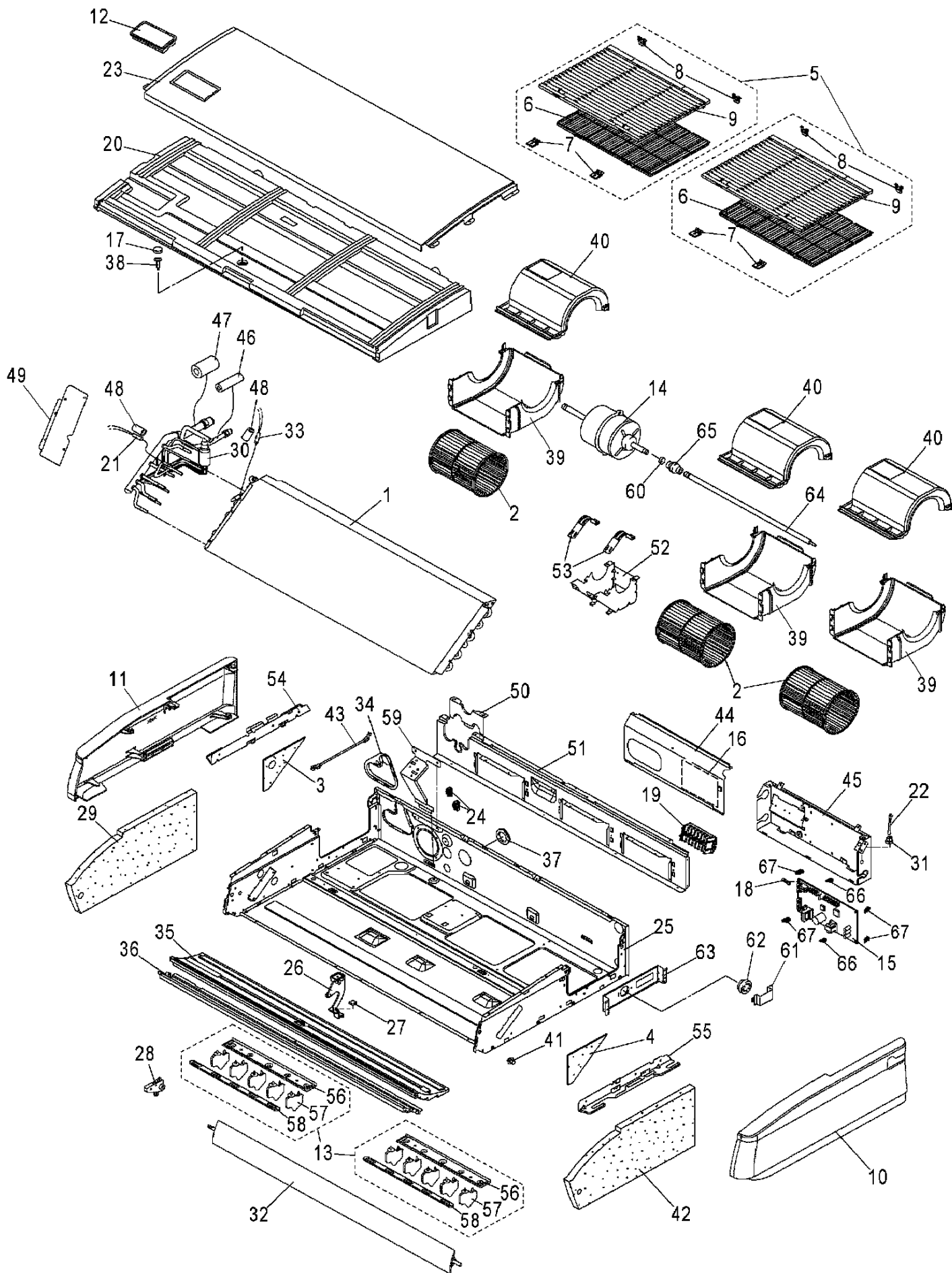
Product Number : 7SP02R360

Internal number : 4555

Version : Heat pump 230/1/50

**Spare parts list used**

Loc	Spare parts code	Replaced by	Qty	Description	Observation
6	9231783607		2	Air filter	
22	9231714885		1	Air recovery probe	
33	9231711358		1	Battery probe	
15	9231886001		1	Circuit board ass'y CB-ADR74GXH56B	
20	9231783744		1	Condensate tray ass'y	
28	9231783782		1	Deflector motor	
1	9231783652		1	Evaporator assembly	
14	9231828827		1	Fan motor DK8-63C280H	
5	9231783614		2	Filter+suction grill ass'y	
23	9231783737		1	Front panel	
18	9231790445		1	Fuse BET5A	
21	9231714878		1	Gas return probe PBC-41E-AS4	
32	9231783751		1	Horizontal louver	
11	9231783706		1	Left end plate	
53	9231783959		2	Motor attachment leg	
52	9231783966		1	Motor support	
10	9231783713		1	Right end plate	
9	9231783720		2	Suction grill	
13	9231783683		2	Support+deflector ass'y	
19	9231777125		1	Terminal block	
2	9231783645		2	Turbine	



**Brand :Airwell Model : IU-PSINV-C 25R / R410**

Product Number : 7SP02R361

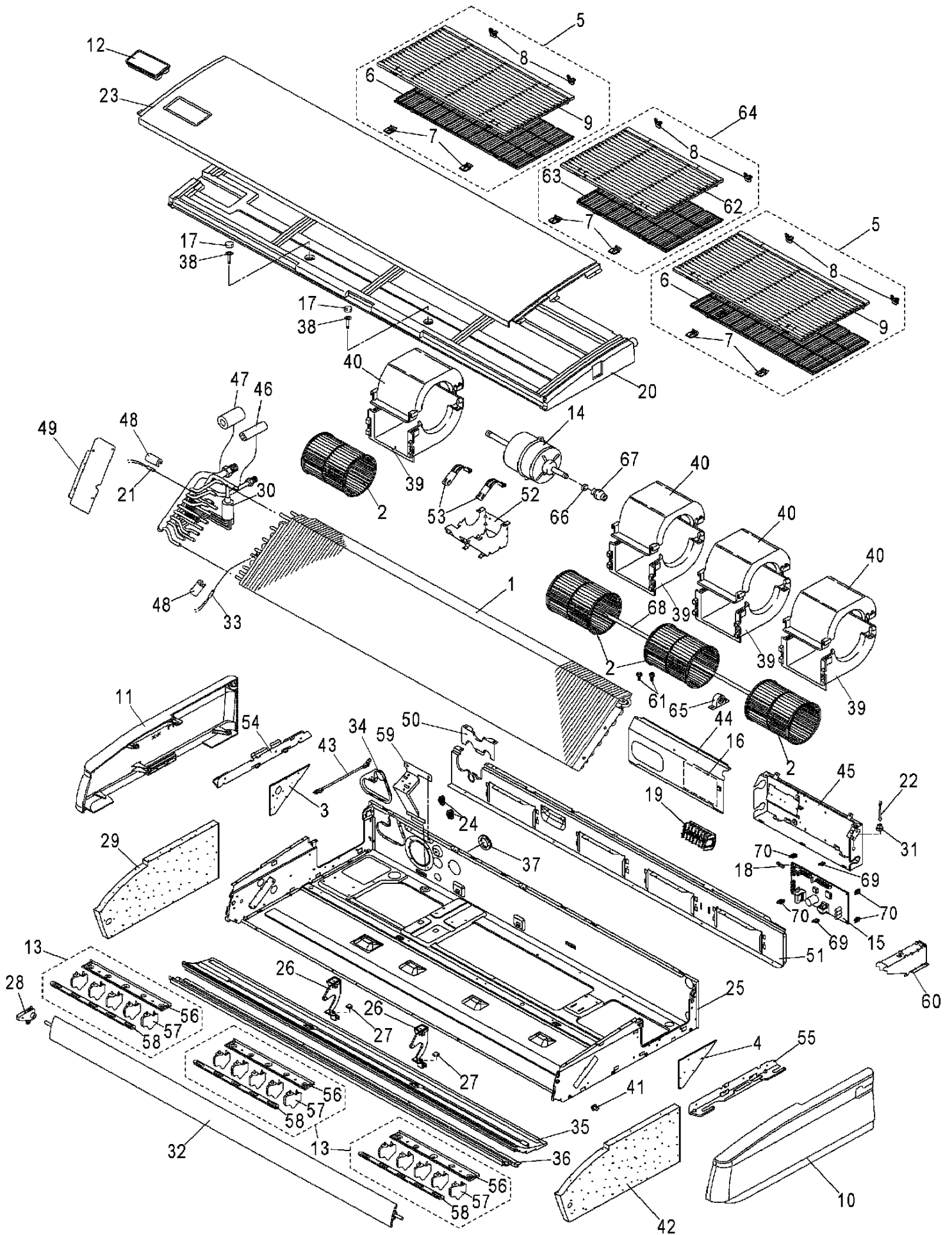
Internal number : 4556

Version : Heat pump 230/1/50

**Spare parts list used**

Loc	Spare parts code	Replaced by	Qty	Description	Observation
6	9231784130		2	Air filter	
22	9231714885		1	Air recovery probe	
33	9231711358		1	Battery probe	
62	9230944467		1	Bearing+ rubber support ass'y	
15	9231886001		1	Circuit board ass'y CB-ADR74GXH56B	
20	9231784192		1	Condensate tray ass'y	
28	9231783782		1	Deflector motor	
1	9231784154		1	Evaporator assembly	
14	9231828834		1	Fan motor DK8-63D280H	
5	9231784147		2	Filter+suction grill ass'y	
23	9231784185		1	Front panel	
18	9231790445		1	Fuse BET5A	
21	9231714878		1	Gas return probe PBC-41E-AS4	
32	9231784208		1	Horizontal louver	
11	9231783706		1	Left end plate	
53	9231783959		2	Motor attachment leg	
52	9231783966		1	Motor support	
10	9231783713		1	Right end plate	
9	9231784178		2	Suction grill	
13	9231783683		2	Support+deflector ass'y	
19	9231777125		1	Terminal block	
2	9231783645		3	Turbine	

# IU-PSINV-C36 et 48R



**Brand :Airwell Model : IU-PSINV-C 36R / R410**

Product Number : 7SP02R362

Internal number : 4557

Version : Heat pump 230/1/50

**Spare parts list used**

Loc	Spare parts code	Replaced by	Qty	Description	Observation
6	9231784130		2	Air filter	
63	9231783607		1	Air filter	"filter of middle"
22	9231714885		1	Air recovery probe	
33	9231711358		1	Battery probe	
15	9231886001		1	Circuit board ass'y CB-ADR74GXH56B	
20	9231784390		1	Condensate tray ass'y	
28	9231783782		1	Deflector motor	
1	9231817456		1	Evaporator assembly	
14	9231828803		1	Fan motor DK8-123C280H	
5	9231784147		2	Filter+suction grill ass'y	
64	9231783614		1	Filter+suction grill ass'y	"middle grill ass'y"
23	9231784383		1	Front panel	
18	9231790445		1	Fuse BET5A	
21	9231714878		1	Gas return probe PBC-41E-AS4	
32	9231784406		1	Horizontal louver	
11	9231783706		1	Left end plate	
53	9231783959		2	Motor attachment leg	
52	9231783966		1	Motor support	
10	9231783713		1	Right end plate	
9	9231784178		2	Suction grill	
62	9231783720		1	Suction grill	"middle grill"
13	9231783683		3	Support+deflector ass'y	
19	9231777125		1	Terminal block	
2	9231783645		4	Turbine	



**Brand :Airwell Model : IU-PSINV-C 48R / R410**

Product Number : 7SP02R363

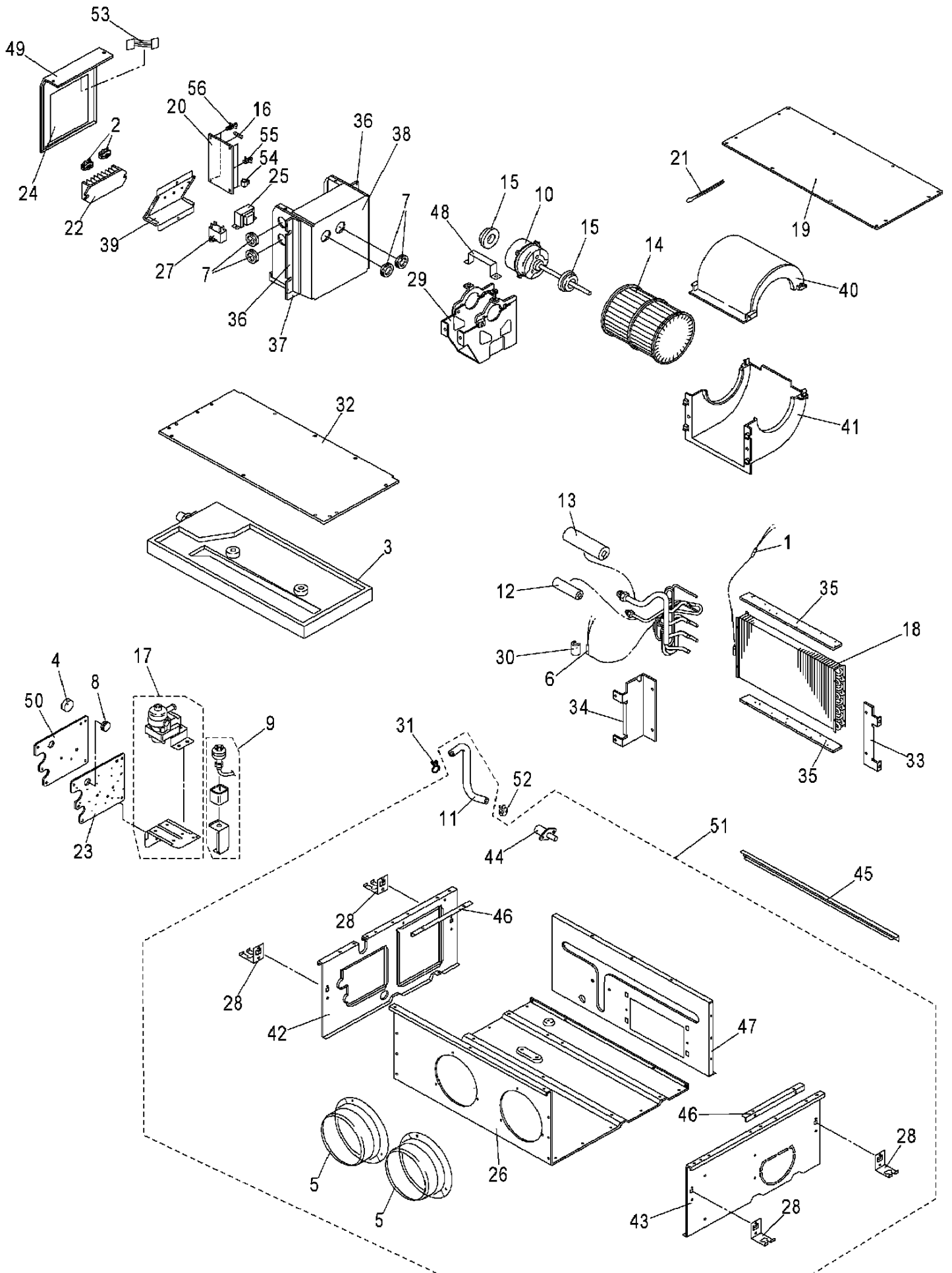
Internal number : 4558

Version : Heat pump 230/1/50

**Spare parts list used**

Loc	Spare parts code	Replaced by	Qty	Description	Observation
6	9231784130		2	Air filter	
63	9231783607		1	Air filter	"filter of middle"
22	9231714885		1	Air recovery probe	
33	9231711358		1	Battery probe	
15	9231886001		1	Circuit board ass'y CB-ADR74GXH56B	
20	9231784390		1	Condensate tray ass'y	
28	9231783782		1	Deflector motor	
1	9231817456		1	Evaporator assembly	
14	9231828803		1	Fan motor DK8-123C280H	
5	9231784147		2	Filter+suction grill ass'y	
64	9231783614		1	Filter+suction grill ass'y	"middle grill ass'y"
23	9231784383		1	Front panel	
18	9231790445		1	Fuse BET5A	
21	9231714878		1	Gas return probe PBC-41E-AS4	
32	9231784406		1	Horizontal louver	
11	9231783706		1	Left end plate	
53	9231783959		2	Motor attachment leg	
52	9231783966		1	Motor support	
10	9231783713		1	Right end plate	
9	9231784178		2	Suction grill	
62	9231783720		1	Suction grill	"middle grill"
13	9231783683		3	Support+deflector ass'y	
19	9231777125		1	Terminal block	
2	9231783645		4	Turbine	

# IU-PSINV-D12R



**Brand :Airwell Model : IU-PSINV-D 12R / R410**

Product Number : 7SP03R075

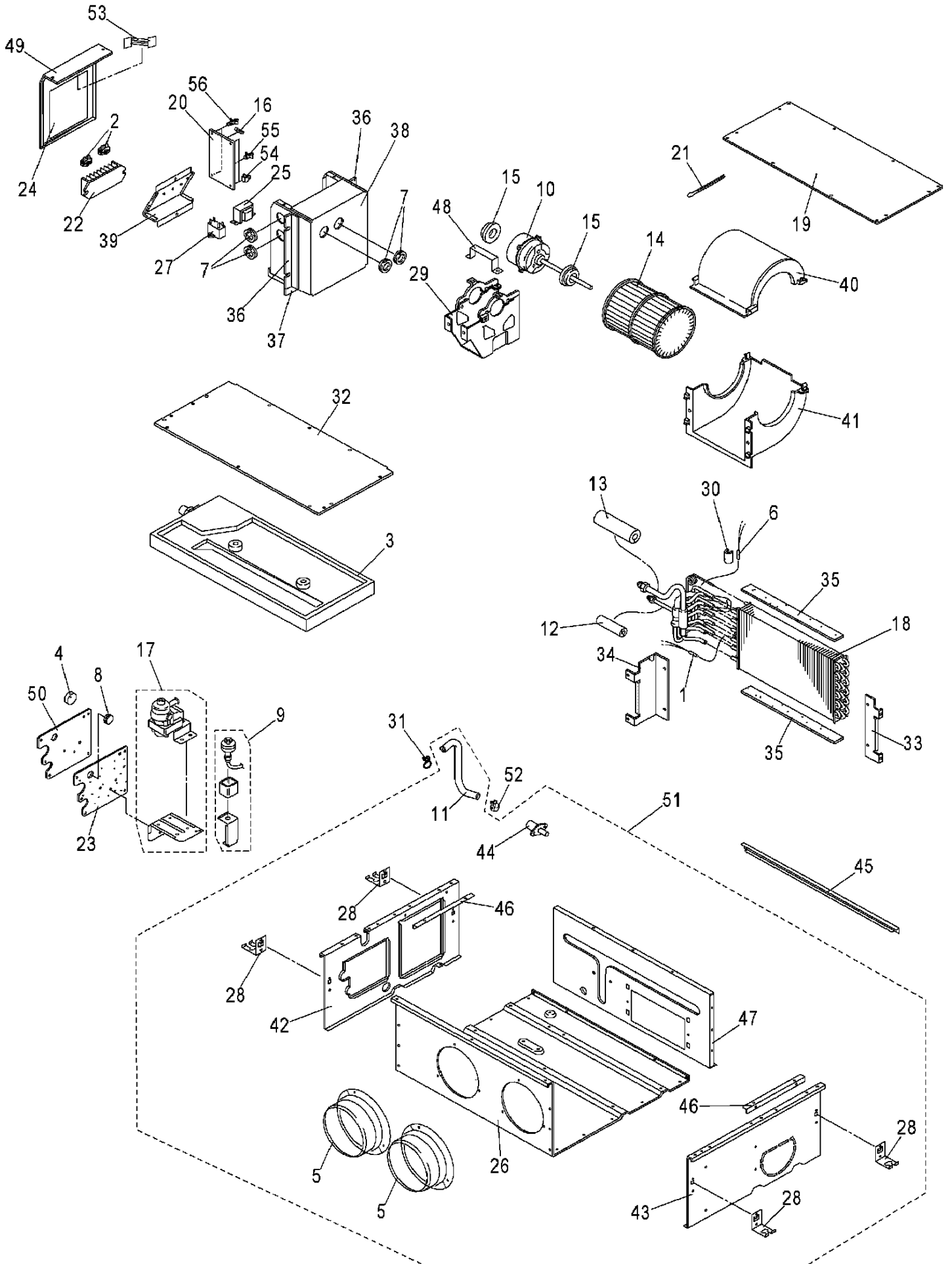
Internal number : 4513

Version : Cooling/Heating 230/1/50

**Spare parts list used**

Loc	Spare parts code	Replaced by	Qty	Description	Observation
28	9380187189		4	Attachment leg	
1	9231708075		1	Battery probe	
11	9231824720		1	Condensate pipe	
17	9231790728		1	Condensate pump ass'y ADP-1413	
3	9231824812		1	Condensate tray ass'y	
44	9380187257		1	Condensate tray union	
15	9231035874		2	Cushion rubber	
5	9231742772		2	Discharge duct coupling	
20	9231885868		1	Electronic card (CB-UXRP71B-B)	
18	9231817166		1	Evaporator assembly	
27	9380196822		1	Fan motor capacitor	
10	9231595026		1	Fan motor SFG4X-51C3P	
16	3230331609		1	Fuse 5A	
6	9231708068		1	Liquid temperature probe	
21	9231708099		1	Room temperature probe	
22	9231790452		1	Terminal block	
25	9231884595		1	Transformer ATR-IL225B-T-R	
14	9380070528		1	Turbine	
9	9231790704		1	Water level detector ass'y	
53	9231209909		1	Wire assembly	

# IU-PSINV-D16 et 18R



**Brand :Airwell Model : IU-PSINV-D 16R / R410**

Product Number : 7SP03R076

Internal number : 4514

Version : Cooling/Heating 230/1/50

**Spare parts list used**

Loc	Spare parts code	Replaced by	Qty	Description	Observation
28	9380187189		4	Attachment leg	
1	9231708075		1	Battery probe	
11	9231824720		1	Condensate pipe	
17	9231790728		1	Condensate pump ass'y ADP-1413	
3	9231824812		1	Condensate tray ass'y	
44	9380187257		1	Condensate tray union	
15	9231035874		2	Cushion rubber	
5	9231742772		2	Discharge duct coupling	
20	9231885868		1	Electronic card (CB-UXRP71B-B)	
18	9231651708		1	Evaporator assembly	
27	9380200789		1	Fan motor capacitor	
10	9231595026		1	Fan motor SFG4X-51C3P	
16	3230331609		1	Fuse 5A	
6	9231708068		1	Liquid temperature probe	
21	9231708099		1	Room temperature probe	
22	9231790452		1	Terminal block	
25	9231884595		1	Transformer ATR-IL225B-T-R	
14	9380070528		1	Turbine	
9	9231790704		1	Water level detector ass'y	
53	9231209909		1	Wire assembly	

**Brand :Airwell Model : IU-PSINV-D 18R / R410**

Product Number : 7SP03R077

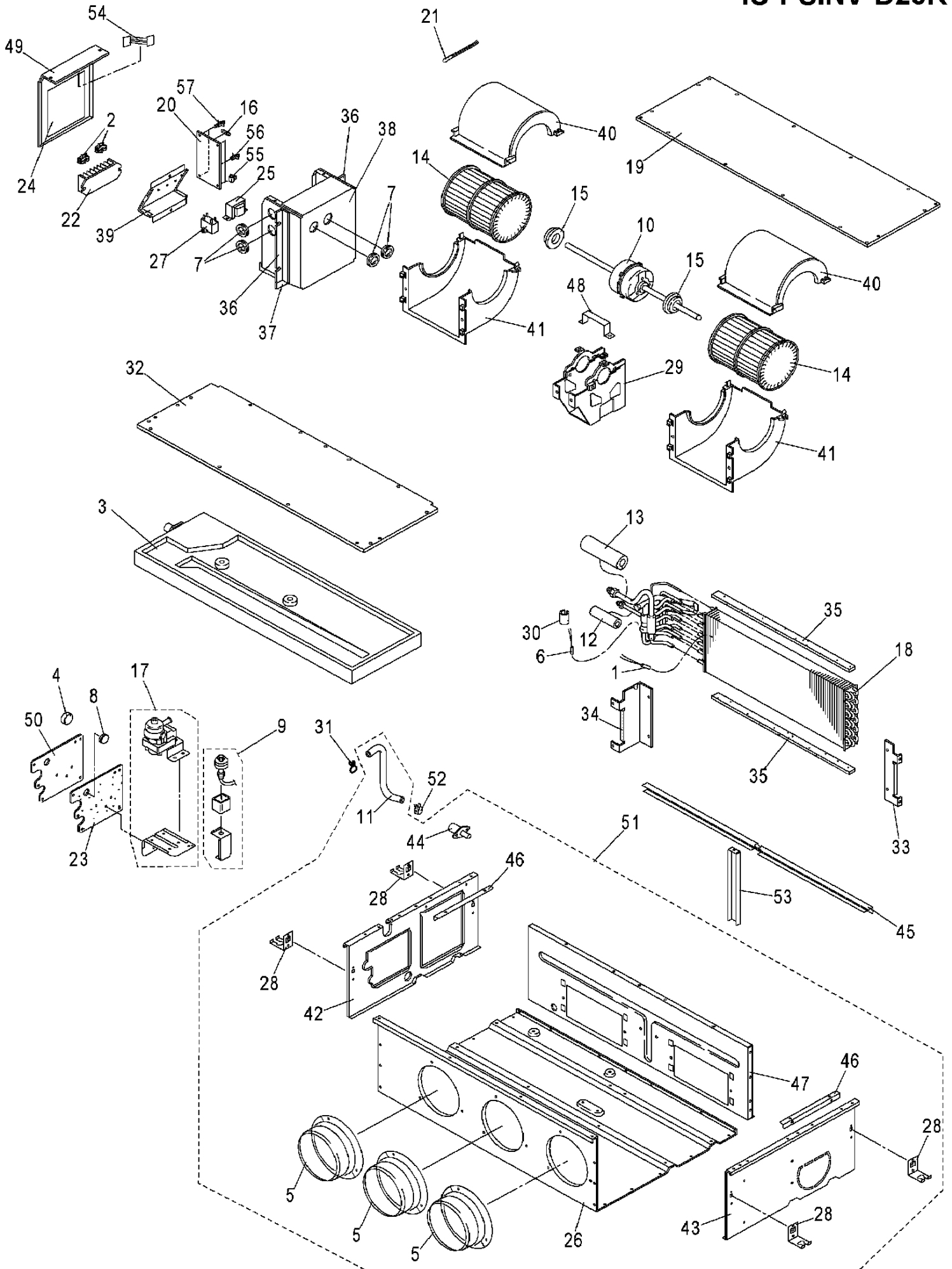
Internal number : 4515

Version : Cooling/Heating 230/1/50

**Spare parts list used**

Loc	Spare parts code	Replaced by	Qty	Description	Observation
28	9380187189		4	Attachment leg	
1	9231708075		1	Battery probe	
11	9231824720		1	Condensate pipe	
17	9231790728		1	Condensate pump ass'y ADP-1413	
3	9231824812		1	Condensate tray ass'y	
44	9380187257		1	Condensate tray union	
15	9231035874		2	Cushion rubber	
5	9231742772		2	Discharge duct coupling	
20	9231885868		1	Electronic card (CB-UXRP71B-B)	
18	9231651708		1	Evaporator assembly	
27	9380200789		1	Fan motor capacitor	
10	9231595026		1	Fan motor SFG4X-51C3P	
16	3230331609		1	Fuse 5A	
6	9231708068		1	Liquid temperature probe	
21	9231708099		1	Room temperature probe	
22	9231790452		1	Terminal block	
25	9231884595		1	Transformer ATR-IL225B-T-R	
14	9380070528		1	Turbine	
9	9231790704		1	Water level detector ass'y	
53	9231209909		1	Wire assembly	

# IU-PSINV-D25R



**Brand :Airwell Model : IU-PSINV-D 25R / R410**

Product Number : 7SP03R078

Internal number : 4516

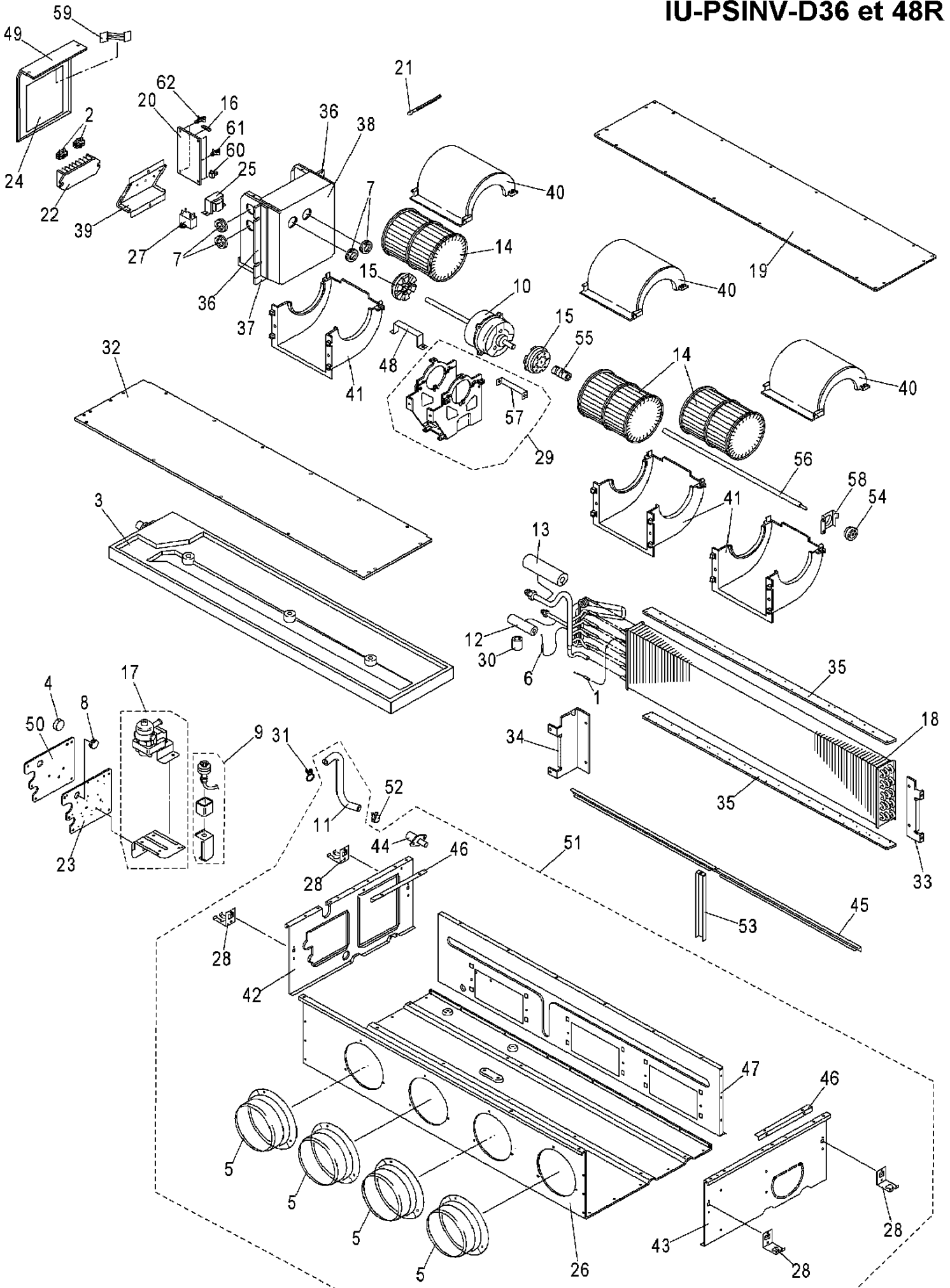
Version : Cooling/Heating 230/1/50

**Spare parts list used**

Loc	Spare parts code	Replaced by	Qty	Description	Observation
28	9380187189		4	Attachment leg	
1	9231708075		1	Battery probe	
15	9380151487		2	Bearing rubber	
14	9380072003		2	Centrifugal fan	
11	9231824720		1	Condensate pipe	
17	9231790728		1	Condensate pump ass'y ADP-1413	
3	9231824850		1	Condensate tray ass'y	
44	9380187257		1	Condensate tray union	
5	9231742772		3	Discharge duct coupling	
20	9231885868		1	Electronic card (CB-UXRP71B-B)	
18	9231651654		1	Evaporator ass'y	
27	9380200758		1	Fan motor capacitor	
10	9231741621		1	Fan motor KFG4X-71B5P	
16	3230331609		1	Fuse 5A	
6	9231708068		1	Liquid temperature probe	
21	9231708099		1	Room temperature probe	
22	9231790452		1	Terminal block	
25	9231884595		1	Transformer ATR-IL225B-T-R	
9	9231790704		1	Water level detector ass'y	
54	9231209909		1	Wire assembly	



# IU-PSINV-D36 et 48R



**Brand :Airwell Model : IU-PSINV-D 36R / R410**

Product Number : 7SP03R079

Internal number : 4517

Version : Cooling/Heating 230/1/50

**Spare parts list used**

Loc	Spare parts code	Replaced by	Qty	Description	Observation
28	9380187189		4	Attachment leg	
1	9231708075		1	Battery probe	
54	9230944467		1	Bearing+ rubber support ass'y	
14	9380072003		3	Centrifugal fan	
11	9231824720		1	Condensate pipe	
17	9231790728		1	Condensate pump ass'y ADP-1413	
3	9231824904		1	Condensate tray ass'y	
44	9380187257		1	Condensate tray union	
5	9231742772		4	Discharge duct coupling	
20	9231885868		1	Electronic card (CB-UXRP71B-B)	
18	9231815698		1	Evaporator assembly	
27	9380197270		1	Fan motor capacitor	
10	9231741645		1	Fan motor KFC4X-141A5P	
16	3230331609		1	Fuse 5A	
6	9231708068		1	Liquid temperature probe	
21	9231708099		1	Room temperature probe	
15	9380054283		2	Rubber bearing	
22	9231790452		1	Terminal block	
25	9231884595		1	Transformer ATR-IL225B-T-R	
9	9231790704		1	Water level detector ass'y	
59	9231209909		1	Wire assembly	

**Brand :Airwell Model : IU-PSINV-D 48R / R410**

Product Number : 7SP03R080

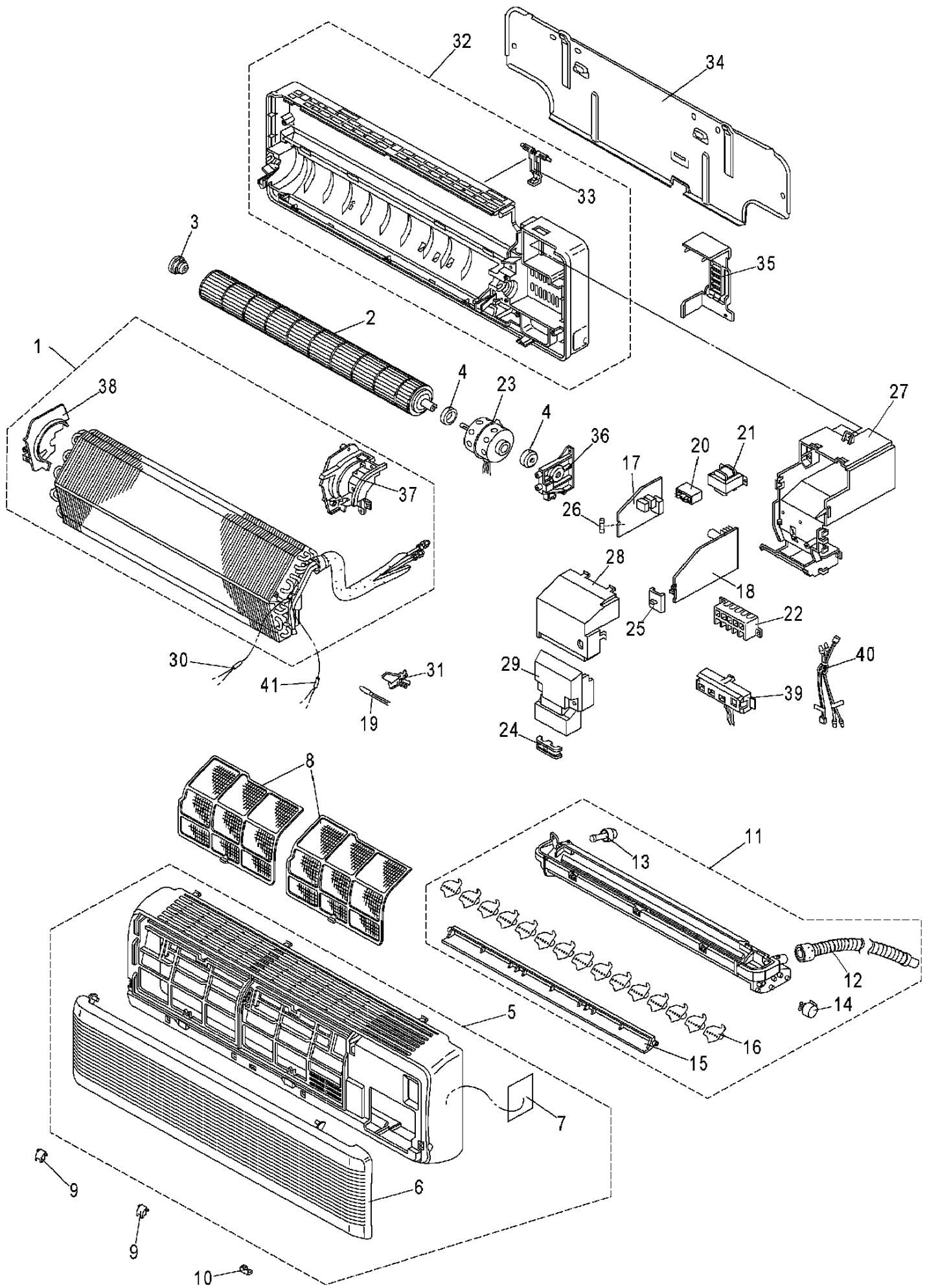
Internal number : 4518

Version : Cooling/Heating 230/1/50

**Spare parts list used**

Loc	Spare parts code	Replaced by	Qty	Description	Observation
28	9380187189		4	Attachment leg	
1	9231708075		1	Battery probe	
54	9230944467		1	Bearing+ rubber support ass'y	
14	9380072003		3	Centrifugal fan	
11	9231824720		1	Condensate pipe	
17	9231790728		1	Condensate pump ass'y ADP-1413	
3	9231824904		1	Condensate tray ass'y	
44	9380187257		1	Condensate tray union	
5	9231742772		4	Discharge duct coupling	
20	9231885868		1	Electronic card (CB-UXRP71B-B)	
18	9231815698		1	Evaporator assembly	
27	9380200772		1	Fan motor capacitor	
10	9231741645		1	Fan motor KFC4X-141A5P	
16	3230331609		1	Fuse 5A	
6	9231708068		1	Liquid temperature probe	
21	9231708099		1	Room temperature probe	
15	9380054283		2	Rubber bearing	
22	9231790452		1	Terminal block	
25	9231884595		1	Transformer ATR-IL225B-T-R	
9	9231790704		1	Water level detector ass'y	
59	9231209909		1	Wire assembly	

# IU-PSINV-HW12 à 18R



**Brand :Airwell Model : IU-PSINV-HW 12R / R410**

Product Number : 7SP02R354

Internal number : 4510

Version : Heat pump 230/1/50

**Spare parts list used**

Loc	Spare parts code	Replaced by	Qty	Description	Observation
11	9231793903		1	Air diffuser ass'y	
8	9231531246		2	Air filter	
3	9230944467		1	Bearing+ rubber support ass'y	
32	9231793958		1	Bottom ass'y	
12	9231512849		1	Condensate drain hose	
13	9231433083		1	Condensate tray cap	
4	9231182516		2	Cushion rubber	
14	9231886032		1	Deflector motor MP24Z8-12V	
39	9231725744		1	Display ass'y	
18	9231886025		1	Electronic card CB-KR74GXH56A	
17	9231793941		1	Electronic card POW-KR74GXH56	
41	9231725874		1	Entry coil temp. probe	
1	9231725720		1	Evaporator assembly	
20	9230010865		1	Fan motor capacitor	
23	9231859111		1	Fan motor UF4Q-31G5P	
5	9231859104		1	Front frame ass'y + suction grill	
9	9231531352		2	Front screw cover (left and middle)	
10	9231531345		1	Front screw cover (right)	
26	9231790445		1	Fuse BET5A	
15	9231531314		1	Horizontal louver	
40	9231793972		1	Option wire assembly	
30	9231725867		1	Outlet coil temp. probe	
19	9231725775		1	Room temperature probe	
6	9231820487		1	Suction grill	
22	9231738690		1	Terminal block	
21	9231793927		1	Transformer ATR-IIK245	
2	9231847149		1	Turbine (L:746mm/D:90,5mm)	
16	9231531307		15	Vertical deflector	
34	9231531499		1	Wall support	

**Brand :Airwell Model : IU-PSINV-HW 16R / R410**

Product Number : 7SP02R355

Internal number : 4511

Version : Heat pump 230/1/50

**Spare parts list used**

Loc	Spare parts code	Replaced by	Qty	Description	Observation
11	9231793903		1	Air diffuser ass'y	
8	9231531246		2	Air filter	
3	9230944467		1	Bearing+ rubber support ass'y	
32	9231793958		1	Bottom ass'y	
12	9231512849		1	Condensate drain hose	
13	9231433083		1	Condensate tray cap	
4	9231182516		2	Cushion rubber	
14	9231886032		1	Deflector motor MP24Z8-12V	
39	9231725744		1	Display ass'y	
18	9231886025		1	Electronic card CB-KR74GXH56A	
17	9231793941		1	Electronic card POW-KR74GXH56	
41	9231725874		1	Entry coil temp. probe	
1	9231725720		1	Evaporator assembly	
20	9230010865		1	Fan motor capacitor	
23	9231859111		1	Fan motor UF4Q-31G5P	
5	9231859104		1	Front frame ass'y + suction grill	
9	9231531352		2	Front screw cover (left and middle)	
10	9231531345		1	Front screw cover (right)	
26	9231790445		1	Fuse BET5A	
15	9231531314		1	Horizontal louver	
40	9231793972		1	Option wire assembly	
30	9231725867		1	Outlet coil temp. probe	
19	9231725775		1	Room temperature probe	
6	9231820487		1	Suction grill	
22	9231738690		1	Terminal block	
21	9231793927		1	Transformer ATR-IIK245	
2	9231847149		1	Turbine (L:746mm/D:90,5mm)	
16	9231531307		15	Vertical deflector	
34	9231531499		1	Wall support	

**Brand :Airwell Model : IU-PSINV-HW 18R / R410**

Product Number : 7SP02R356

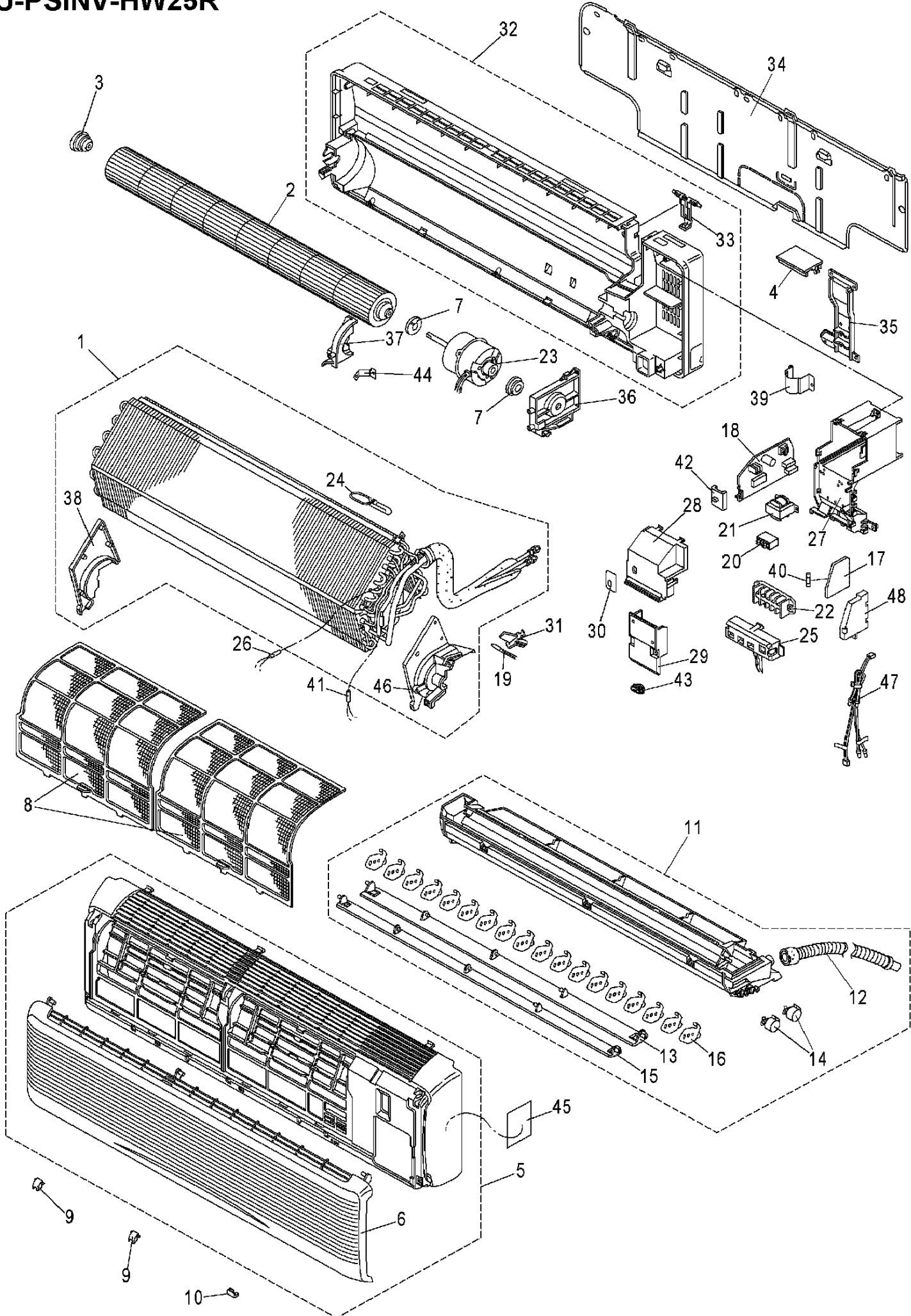
Internal number : 4512

Version : Heat pump 230/1/50

**Spare parts list used**

Loc	Spare parts code	Replaced by	Qty	Description	Observation
11	9231793903		1	Air diffuser ass'y	
8	9231531246		2	Air filter	
3	9230944467		1	Bearing+ rubber support ass'y	
32	9231793958		1	Bottom ass'y	
12	9231512849		1	Condensate drain hose	
13	9231433083		1	Condensate tray cap	
4	9231182516		2	Cushion rubber	
14	9231886032		1	Deflector motor MP24Z8-12V	
39	9231725744		1	Display ass'y	
18	9231886025		1	Electronic card CB-KR74GXH56A	
17	9231793941		1	Electronic card POW-KR74GXH56	
41	9231725874		1	Entry coil temp. probe	
1	9231725720		1	Evaporator assembly	
20	9231269316		1	Fan motor capacitor	
23	9231859111		1	Fan motor UF4Q-31G5P	
5	9231859104		1	Front frame ass'y + suction grill	
9	9231531352		2	Front screw cover (left and middle)	
10	9231531345		1	Front screw cover (right)	
26	9231790445		1	Fuse BET5A	
15	9231531314		1	Horizontal louver	
40	9231793972		1	Option wire assembly	
30	9231725867		1	Outlet coil temp. probe	
19	9231725775		1	Room temperature probe	
6	9231820487		1	Suction grill	
22	9231738690		1	Terminal block	
21	9231793927		1	Transformer ATR-IIK245	
2	9231847149		1	Turbine (L:746mm/D:90,5mm)	
16	9231531307		15	Vertical deflector	
34	9231531499		1	Wall support	

# IU-PSINV-HW25R





# IU-PSINV-HW25R

