

Brand :Airwell Model : GC TWINSET / R407C

Product Number : 7SP131003A

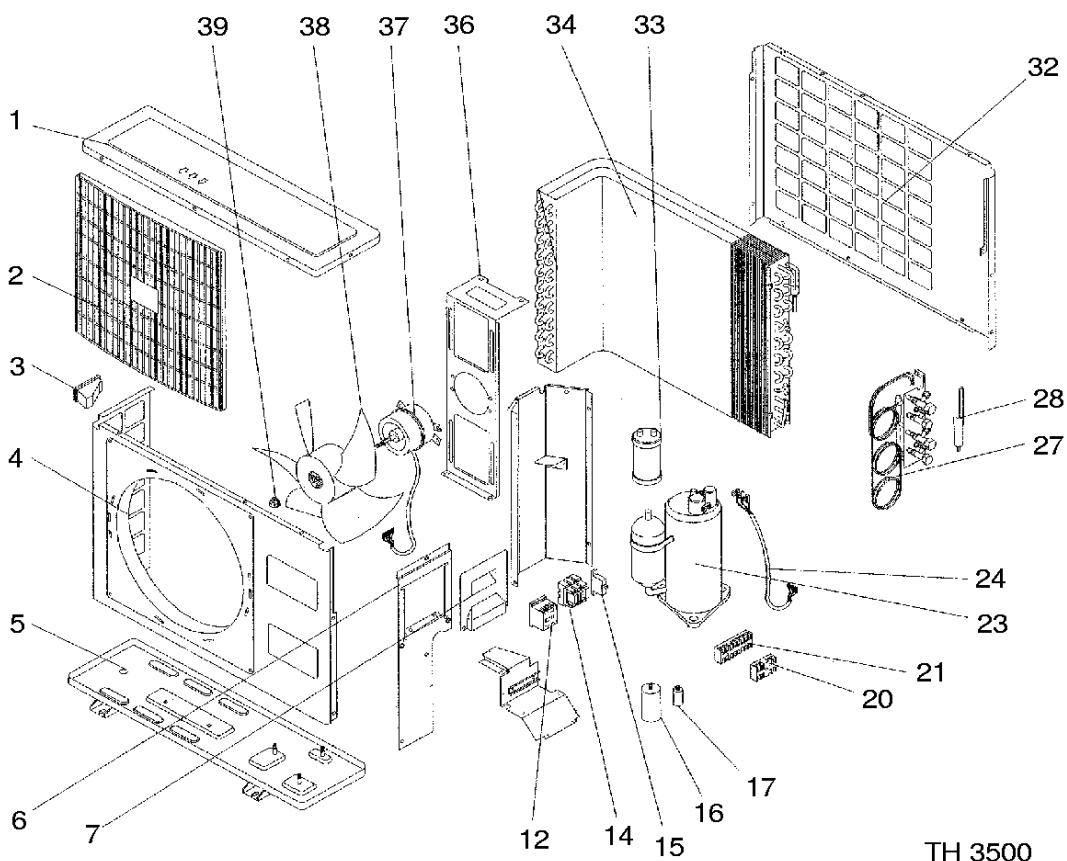
Internal number : 2570

Version : Cooling only 230/1/50

Spare parts list used

Loc	Spare parts code	Replaced by	Qty	Description	Observation
39	201130		1	Attachment Nut M4	
.	236225		3	Baseplate screw 95.45 Finder	for 230176
5	94518032		1	Bottom assembly	
17	94517990		1	Capacitor 2uF/450V	
16	94515797		1	Capacitor 30uF/440V	
.	224106		2	Coil solenoid valve Saginomiya CHVMOAJ041B1	for 224101
23	94516546		1	Compressor Goldstar NJ236PAB (R407C)	
24	4515953		1	Compressor wiring	
34	427252		1	Condenser C902	
12	230320		1	Contacto LC1 K0901 M7	
33	4517681		1	Cylinder	
6	4516176		1	Electric unit panel	
7	372265	436357	1	Electrical box panel	
37	261520		1	Fan motor Olmo (threaded shaft) MT1520	
36	323156		1	Fan motor support	
4	4516159		1	Front panel	
.	4518081		2	Gas valve	
2	372332		1	Grill square	
3	371054		1	Handle plastic	
.	4516406		2	Liquid valve	
.	900032		1	Packaging Twin Set	
38	293289		1	Propeller H68 D	
.	94516545		1	Protector MRA 98704-12026	
32	4516157		1	Rear panel	
28	4517720		1	Refrigerant filter	
14	230176		3	Relay Finder 2RT type 40.52 / 8A 220V	
.	224101		2	Solenoid valve NEV-MOAJ 102C1 Saginomiya + coil	
21	94518115		1	Terminal strip 8 contact pads	
20	236264		1	Terminal strip RHC 11704 (4 Terminals/2 tabs)	
15	231105		1	Timer Crouzet SAS 4MN	
1	4516158		1	Top panel	
27	4518082		1	Valves + capillary assembly	

Outdoor Unit
Twinsset R407C



TH 3500