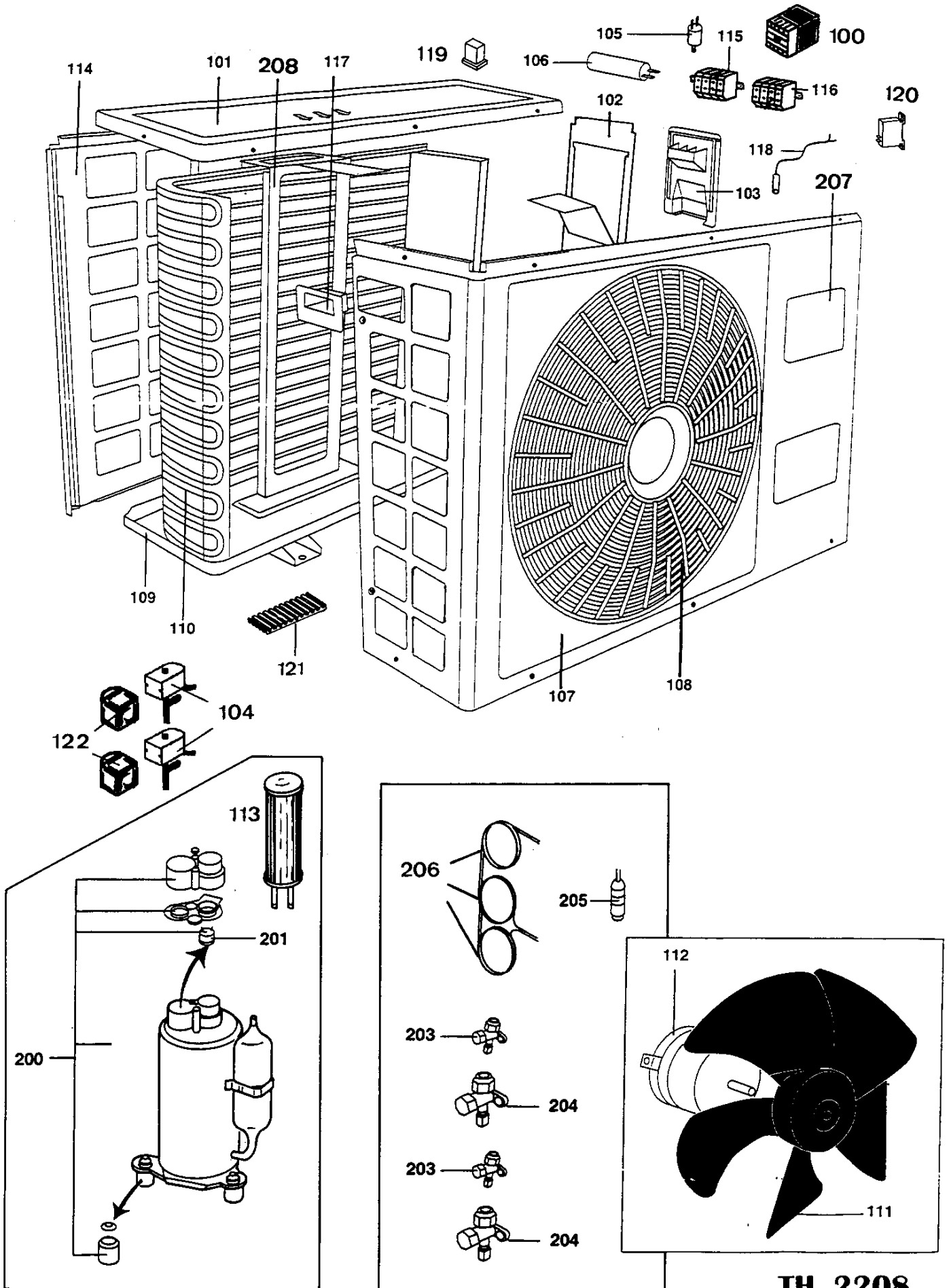


MULTI-COMFORT

TWIN SET



TH 2208

Brand :Airwell Model : GC TWINSET

Product Number : 7SP131001A

Internal number : 2035

Version : Cooling only 230/1/50

Spare parts list used

Loc	Spare parts code	Replaced by	Qty	Description	Observation
207	375593		1	Airwell logo (wave)	
113	291135		1	Antiknock cylinder Carly	
.	236225		3	Baseplate screw 95.45 Finder	for 230176
118	232273		2	Battery probe length 650mm (black)	
109	400337C-88		1	Bottom assembly grey	
106	233035		1	Capacitor 25uF/400V screw	for 265281
105	233201		1	Capacitor 2uF/400V screw	for fan motor
206	361070		2	Capillary 53/55 silver	
206	361008		1	Capillary 60/62 colorless	
122	224106		2	Coil solenoid valve Saginomiya CHVMOAJ041B1	for 224101
200	265281		1	Compressor UH RK5518E - cyl. 90° (rotary)	
110	427252		1	Condenser C902	
100	230320		1	Contacteur LC1 K0901 M7	
102	684949		1	Electric unit panel	
103	372265	436357	1	Electrical box panel	
112	261520		1	Fan motor Olmo (threaded shaft) MT1520	
208	323156		1	Fan motor support	for 261520
204	224180		2	Flare union 1/4" elbow outlet with valve	
203	224181		2	Flare union 3/8" straight outlet with valve	
107	684370-88		1	Front panel	
108	372218		1	Grill round	
117	371054		1	Handle plastic	
.	900032		1	Packaging Twin Set	
111	293289		1	Propeller H68 D	for 261520
201	232329		1	Protector TO 653/89	for compressor
114	684948		1	Rear panel	
205	221020		1	Refrigerant filter	
119	230176		3	Relay Finder 2RT type 40.52 / 8A 220V	
121	900004		1	Shock absorber skid (set of 4)	
104	224101		2	Solenoid valve NEV-MOAJ 102C1 Saginomiya + coil	
116	236266		1	Terminal strip RHB 51704 (4 Terminals/1 tab)	
115	236264		2	Terminal strip RHC 11704 (4 Terminals/2 tabs)	
120	231105		1	Timer Crouzet SAS 4MN	
101	684371-88		1	Top panel	

Brand :Airwell Model : GC TWINSET

Product Number : 7SP131001B

Internal number : 1226

Version : Cooling only 230/1/50

Spare parts list used

Loc	Spare parts code	Replaced by	Qty	Description	Observation
207	375593		1	Airwell logo (wave)	
.	236225		3	Baseplate screw 95.45 Finder	for 230176
118	232273		2	Battery probe length 650mm (black)	
109	684947		1	Bottom assembly grey	
105	233201		1	Capacitor 2uF/400V screw	for fan motor
106	233305		1	Capacitor 30uF/400V screw	for 265271
206	361065		1	Capillary 43/45 red	
206	361070		2	Capillary 53/55 silver	
122	224106		2	Coil solenoid valve Saginomiya CHVMOAJ041B1	for 224101
110	427252		1	Condenser C902	
100	230320		1	Contacteur LC1 K0901 M7	
113	291134		1	Cylinder 1/2"	
102	684949		1	Electric unit panel	
103	372265	436357	1	Electrical box panel	
112	261488		1	Fan motor Elco (tapped shaft) MT 1504	
208	681053		1	Fan motor support	for 261488
204	224180		2	Flare union 1/4" elbow outlet with valve	
203	224181		2	Flare union 3/8" straight outlet with valve	
107	684370-88		1	Front panel	
108	372218		1	Grill round	
117	371054		1	Handle plastic	
200	685138		1	Kit of repl. compressor Rotorex (265271)	
.	900032		1	Packaging Twin Set	
111	293221	293289	1	Propeller H68 A	for 261488
201	232305		1	Protector MRA 2752-380	for 265271
114	684948		1	Rear panel	
205	221020		1	Refrigerant filter	
119	230176		3	Relay Finder 2RT type 40.52 / 8A 220V	
121	900004		1	Shock absorber skid (set of 4)	
104	224101		2	Solenoid valve NEV-MOAJ 102C1 Saginomiya + coil	
116	236266		1	Terminal strip RHB 51704 (4 Terminals/1 tab)	
115	236264		2	Terminal strip RHC 11704 (4 Terminals/2 tabs)	
120	231105		1	Timer Crouzet SAS 4MN	
101	684371-88		1	Top panel	

Brand :Airwell Model : GC TWINSET

Product Number : 7SP131001D

Internal number : 2332

Version : Cooling only 230/1/50

Spare parts list used

Loc	Spare parts code	Replaced by	Qty	Description	Observation
207	375593		1	Airwell logo (wave)	
.	236225		3	Baseplate screw 95.45 Finder	for 230176
118	232273		2	Battery probe length 650mm (black)	
109	94518032		1	Bottom assembly	
105	94517990		1	Capacitor 2uF/450V	
106	94515797		1	Capacitor 30uF/440V	
206	94516154		1	Capillary	
206	94516153		1	Capillary	
206	94516260		1	Capillary	
122	224106		2	Coil solenoid valve Saginomiya CHVMOAJ041B1	for 224101
200	94517528		1	Compressor Goldstar QJ250PT23A	
110	427252		1	Condenser C902	
100	230320		1	Contacteur LC1 K0901 M7	
113	94517763		1	Cylinder	
102	4516176		1	Electric unit panel	
103	372265	436357	1	Electrical box panel	
112	261520		1	Fan motor Olmo (threaded shaft) MT1520	
208	323156		1	Fan motor support	
203	224195		2	Flare union 1/4" flare 3/8" elbow with valve	
204	224181		2	Flare union 3/8" straight outlet with valve	
107	684370-88		1	Front panel	
108	372332		1	Grill square	
117	371054		1	Handle plastic	
.	900032		1	Packaging Twin Set	
111	293289		1	Propeller H68 D	
114	4516157		1	Rear panel	
119	230176		3	Relay Finder 2RT type 40.52 / 8A 220V	
121	900004		1	Shock absorber skid (set of 4)	
104	224101		2	Solenoid valve NEV-MOAJ 102C1 Saginomiya + coil	
116	94518115		1	Terminal strip 8 contact pads	
115	236264		1	Terminal strip RHC 11704 (4 Terminals/2 tabs)	
120	231105		1	Timer Crouzet SAS 4MN	
101	684371-88		1	Top panel	