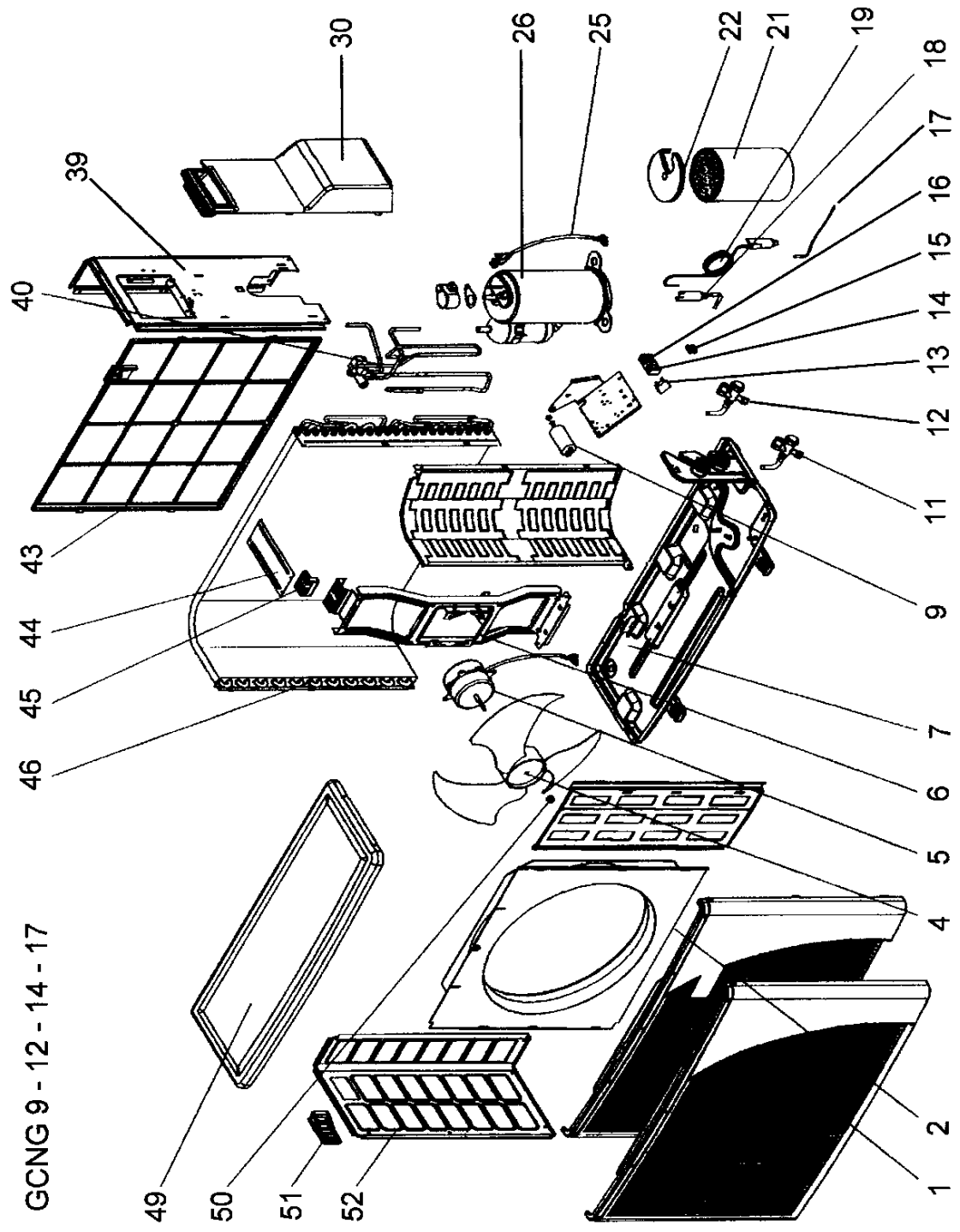


GCNG 9 - 12 - 14 - 17



TH 3547

Brand :Airwell Model : GCNG 9 / R407C

Product Number : 7SP061374

Internal number : 3157

Version : Cooling only 230/1/50

Spare parts list used

Loc	Spare parts code	Replaced by	Qty	Description	Observation
2	433221		1	Baffle	
7	4519601		1	Bottom	
15	204107		1	Cable clamp	
13	4517990		1	Capacitor 2uF/450V	
9	4515797		1	Capacitor 30uF/450V	
19	4523589		1	Capillary assembly	
21	4519600		1	Compressor jacket	
26	4523416		1	Compressor Toshiba PG170X1C-4FS3/R407C	
25	4519987		1	Compressor wiring	
46	4523498		1	Condenser	
5	4519250		1	Fan motor	
1	433218		1	Front panel	
12	4521281		1	Gas valve	
51	433225		1	Handle	
44	433216		1	Leg motor support	
52	4519607		1	LH panel	
11	4521280		1	Liquid valve 1/4"	
6	433215		1	Motor support	
4	4519251		1	Propeller	
50	4519300		1	Propeller attachment Nut	
43	433228		1	Rear grill	
18	94515200		1	Refrigerant filter	
39	4519606		1	RH panel	
45	433235		1	Spacer A	
14	4514588		1	Terminal (5 bits)	
22	4519610		1	Top jacket	
49	4519614		1	Top panel	
30	433229		1	Valve cover	

Brand :Airwell Model : GCNG 12 / R407C

Product Number : 7SP061378

Internal number : 3158

Version : Cooling only 230/1/50

Spare parts list used

Loc	Spare parts code	Replaced by	Qty	Description	Observation
2	433221		1	Baffle	
7	4519601		1	Bottom	
15	204107		1	Cable clamp	
13	4517990		1	Capacitor 2uF/450V	
9	233307		1	Capacitor 35uF/400V screw	
19	4523477		1	Capillary assembly	
21	4519683		1	Compressor jacket	
26	4523418		1	Compressor Toshiba PG215X2C-4FS/R407C	
25	4519987		1	Compressor wiring	
46	4521784		1	Condenser	
5	4519692		1	Fan motor	
1	433218		1	Front panel	
12	4521282		1	Gas valve 1/2"	
51	433225		1	Handle	
44	433216		1	Leg motor support	
52	4519607		1	LH panel	
11	4521280		1	Liquid valve 1/4"	
6	433215		1	Motor support	
4	4519251		1	Propeller	
50	4519300		1	Propeller attachment Nut	
43	433228		1	Rear grill	
18	4519931		1	Refrigerant filter	
39	4519606		1	RH panel	
45	433241		1	Spacer	
14	4514588		1	Terminal (5 bits)	
22	4519684		1	Top jacket	
49	4519614		1	Top panel	
30	433229		1	Valve cover	

Brand :Airwell Model : GCNG 14 / R407C

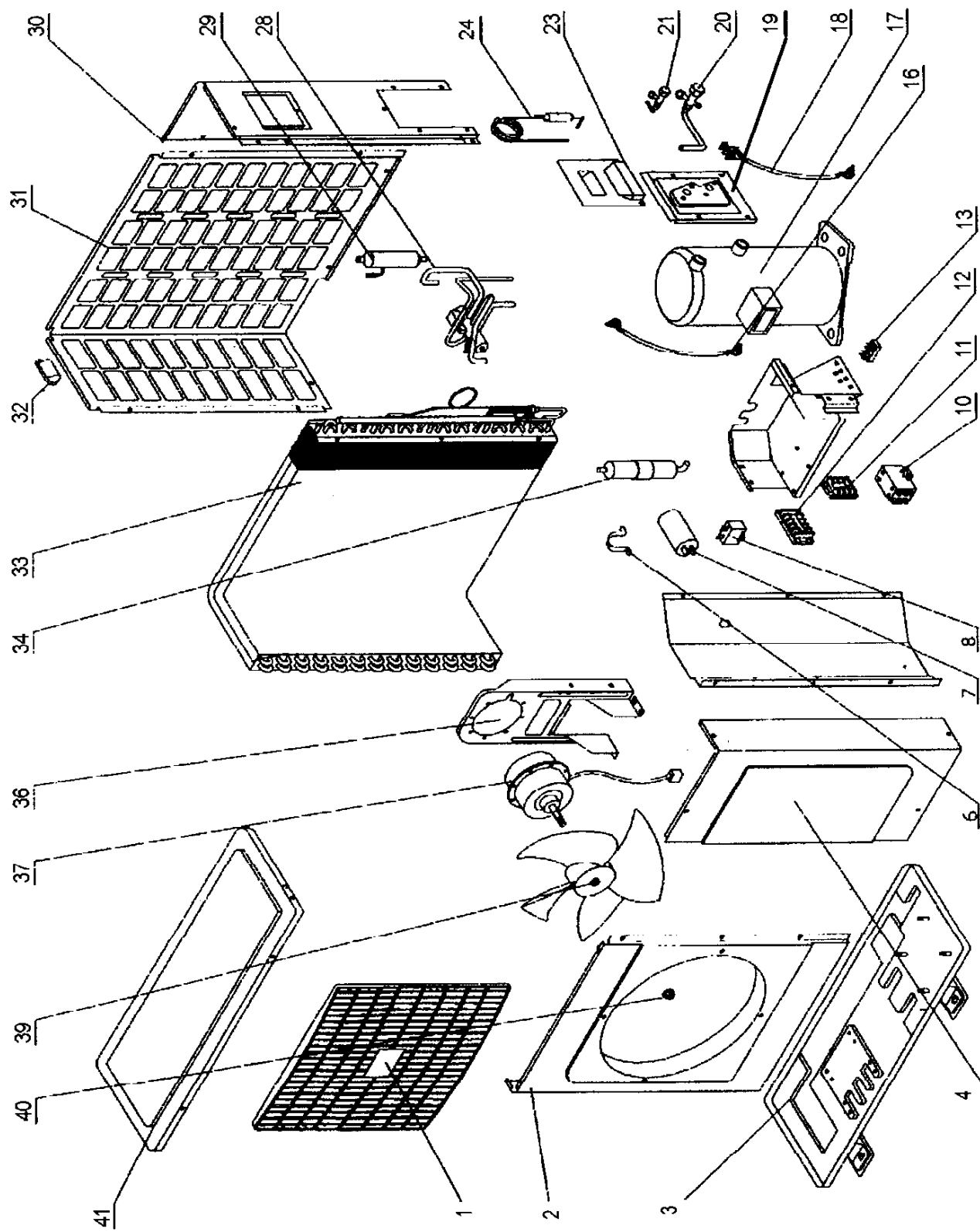
Product Number : 7SP061382

Internal number : 3159

Version : Cooling only 230/1/50

Spare parts list used

Loc	Spare parts code	Replaced by	Qty	Description	Observation
2	433221		1	Baffle	
7	4519601		1	Bottom	
15	204107		1	Cable clamp	
13	4517990		1	Capacitor 2uF/450V	
9	233307		1	Capacitor 35uF/400V screw	
19	4523594		1	Capillary assembly	
21	4519683		1	Compressor jacket	
26	4523420		1	Compressor Toshiba PG260X2C-4FTS/R407C	
25	4519987		1	Compressor wiring	
46	4523627		1	Condenser	
5	4520171	A épuiser puis 45201	1	Fan motor	
1	433218		1	Front panel	
12	4521282		1	Gas valve 1/2"	
51	433225		1	Handle	
44	433216		1	Leg motor support	
52	4519607		1	LH panel	
11	4521280		1	Liquid valve 1/4"	
6	433215		1	Motor support	
4	4519251		1	Propeller	
50	4519300		1	Propeller attachment Nut	
43	433228		1	Rear grill	
18	4519931		1	Refrigerant filter	
39	4519606		1	RH panel	
45	433241		1	Spacer	
14	4514588		1	Terminal (5 bits)	
22	4519684		1	Top jacket	
49	4519614		1	Top panel	
30	433229		1	Valve cover	



Brand :Airwell Model : GC 18 F / R407C

Product Number : 7SP061336

Internal number : 2752

Version : Cooling only 230/1/50

Spare parts list used

Loc	Spare parts code	Replaced by	Qty	Description	Observation
3	4525849		1	Bottom (for 3 feet compressor)	
3	4517612		1	Bottom (for 4 feet compressor)	
7	4515804		1	Capacitor 40uF/450V	
8	4518883		1	Capacitor 4uF	
24	4521647		1	Capillary assembly	
17	4525686		1	Compressor Goldstar HQ024PAA/R407C (3 feet)	
18	4517345		1	Compressor wiring	
.	900142		1	Condensate coupling + seal assy	
33	4521648		1	Condenser	
29	4521354		1	Discharge muffler	
23	4514546		1	Electrical box panel	
37	4520261		1	Fan motor	
2	4517029		1	Front LH panel	
4	4521642		1	Front RH panel	
20	4520755		1	Gas valve	
1	4517144		1	Grill square	
32	4516758		1	Handle	
21	4520754		1	Liquid valve	
36	4516984		1	Motor support	
40	4523141		1	Nut M10	
39	4517004		1	Propeller d=450mm	
31	4517028		1	Rear panel	
30	4521644		1	Side panel	
12	4521289		1	Terminal (6 bits)	
41	4521645		1	Top panel	
19	4516767		1	Valve support	

Brand :Airwell Model : GC 18 FT / R407C

Product Number : 7SP061337

Internal number : 2751

Version : Cooling only 400/3/50

Spare parts list used

Loc	Spare parts code	Replaced by	Qty	Description	Observation
3	4517612		1	Bottom (for 4 feet compressor)	
8	4518883		1	Capacitor 4uF	
24	4521647		1	Capillary assembly	
.	4517769		1	Casing resistor	
16	4517744		1	Compressor connector	
17	4520610		1	Compressor Copeland ZR24K3E-TFD-522/R407C/380 (scroll)	
18	4517131		1	Compressor wiring	
.	900142		1	Condensate coupling + seal assy	
33	4521648		1	Condenser	
10	4518056		1	Contacteur E816 ou D1801N	
29	4521354		1	Discharge muffler	
23	4514546		1	Electrical box panel	
37	4520261		1	Fan motor	
2	4517029		1	Front LH panel	
4	4521642		1	Front RH panel	
20	4520755		1	Gas valve	
1	4517144		1	Grill square	
32	4516758		1	Handle	
21	4520754		1	Liquid valve	
36	4516984		1	Motor support	
40	4523141		1	Nut M10	
39	4517004		1	Propeller d=450mm	
31	4517028		1	Rear panel	
30	4521644		1	Side panel	
12	4521289		1	Terminal (6 bits)	
11	4521695		1	Terminal power (5 bits/6mm2)	
41	4521645		1	Top panel	
19	4516767		1	Valve support	

Brand :Airwell Model : GC 24 F / R407C

Product Number : 7SP061344

Internal number : 2759

Version : Cooling only 230/1/50

Spare parts list used

Loc	Spare parts code	Replaced by	Qty	Description	Observation
3	4517612		1	Bottom (for 4 feet compressor)	
7	4518953		1	Capacitor 45uF/440V	
8	4518883		1	Capacitor 4uF	
24	4521646		1	Capillary assembly	
17	4525951		1	Compressor Goldstar HQ032PAA/R407	
18	4517345		1	Compressor wiring	
.	900142		1	Condensate coupling + seal assy	
33	4521650		1	Condenser	
.	4516429		1	Condenser probe	
29	4521354		1	Discharge muffler	
23	4514546		1	Electrical box panel	
37	4520261		1	Fan motor	
2	4517029		1	Front LH panel	
4	4521642		1	Front RH panel	
20	4520755		1	Gas valve	
1	4517144		1	Grill square	
32	4516758		1	Handle	
.	4517767		1	Heating resistor compressor	
21	4520754		1	Liquid valve	
36	4516984		1	Motor support	
40	4523141		1	Nut M10	
39	4517004		1	Propeller d=450mm	
31	4517028		1	Rear panel	
.	192106	230181	1	Relay Matsuba 250V 10A	
30	4521644		1	Side panel	
12	4521744		1	Terminal (3 bits/4mm2)	
11	4521733		1	Terminal (6 bits/6mm2)	
41	4521645		1	Top panel	
19	4516767		1	Valve support	

Brand :Airwell Model : GC 24 FT / R407C

Product Number : 7SP061345

Internal number : 2758

Version : Cooling only 400/3/50

Spare parts list used

Loc	Spare parts code	Replaced by	Qty	Description	Observation
3	4517612		1	Bottom (for 4 feet compressor)	
7	4518953		1	Capacitor 45uF/440V	
8	4518883		1	Capacitor 4uF	
24	4521646		1	Capillary assembly	
16	4517744		1	Compressor connector	
17	4520607		1	Compressor Copeland ZR32K3E-TFD-522/R407C/380 (scroll)	
18	4517131		1	Compressor wiring	
.	900142		1	Condensate coupling + seal assy	
33	4521650		1	Condenser	
.	4516429		1	Condenser probe	
10	4518056		1	Contacteur E816 ou D1801N	
29	4521354		1	Discharge muffler	
23	4514546		1	Electrical box panel	
37	4520261		1	Fan motor	
2	4517029		1	Front LH panel	
4	4521642		1	Front RH panel	
20	4520755		1	Gas valve	
1	4517144		1	Grill square	
32	4516758		1	Handle	
.	4517767		1	Heating resistor compressor	
21	4520754		1	Liquid valve	
36	4516984		1	Motor support	
40	4523141		1	Nut M10	
39	4517004		1	Propeller d=450mm	
31	4517028		1	Rear panel	
30	4521644		1	Side panel	
12	4521289		1	Terminal (6 bits)	
11	4521695		1	Terminal power (5 bits/6mm2)	
41	4521645		1	Top panel	
19	4516767		1	Valve support	