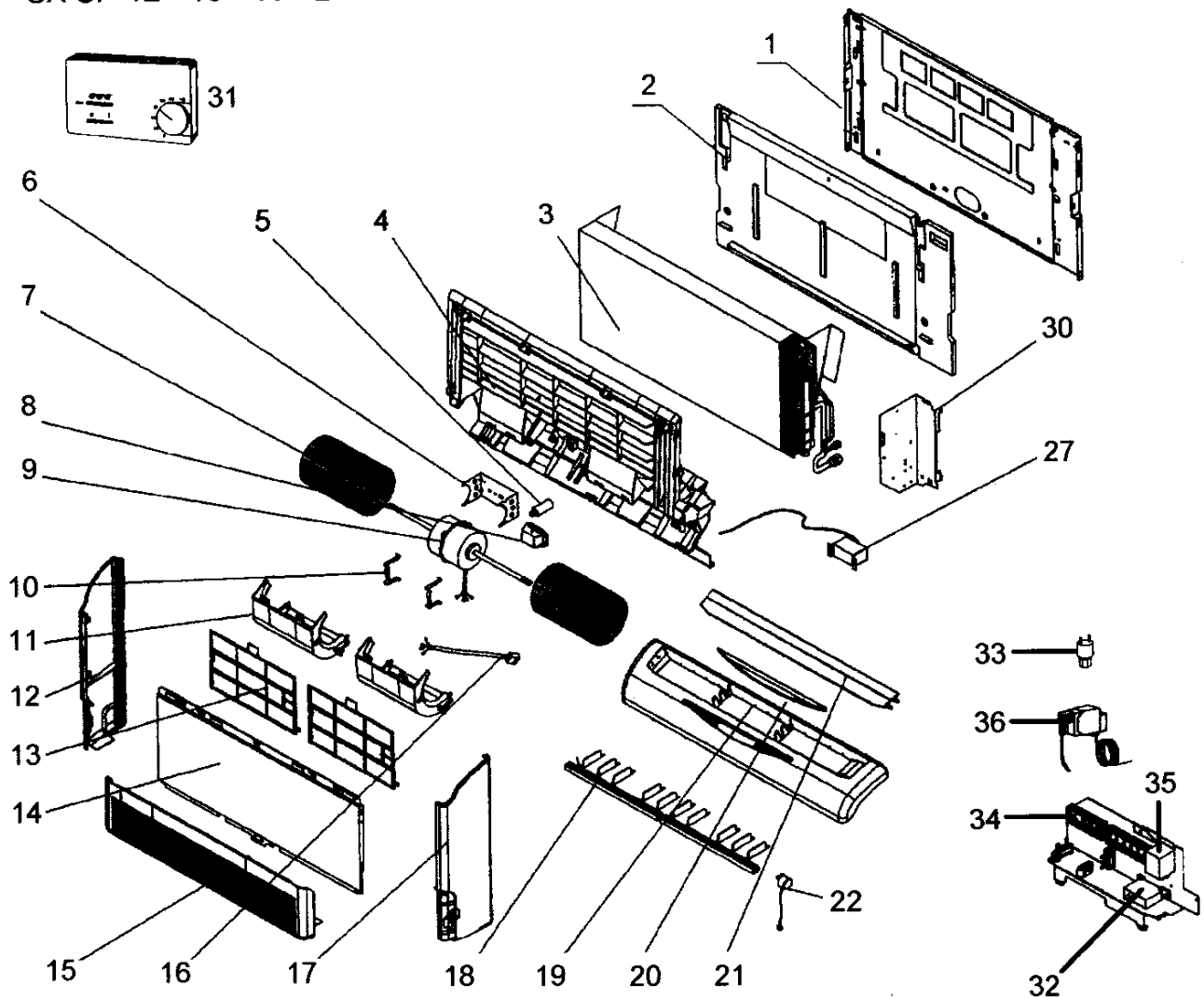


SX SP 12 - 15 - 18 - 24 - 30



TH 3536

**Brand :Airwell Model : SX SP 12 / R407C**

Product Number : 7SP012090

Internal number : 3111

Version : Cooling only 230/1/50

**Spare parts list used**

Loc	Spare parts code	Replaced by	Qty	Description	Observation
36	232396		1	(TTS kit)Servodrive pressure switch Alco FSX 42K 715488	"Around the year" system
13	C221555		2	Air filter	
8	4520933		1	Auto-transformer	
5	233200		1	Capacitor 1uF/400V screw	
27	4525097		1	Deicing thermostat	
19	4524487		1	Discharge frame	
20	375209-01		1	Display screen Airwell	
.	251003		1	Drain plug	
.	399738		1	Electric diagram SE 3155D	For replaced relay 230356
.	243238		1	Electromagnetic filter Alko FSF N15 804640	"Around the year" system
3	C421395		1	Evaporator	
4	373247		1	Fan frame (condensate tray)	
9	4520929		1	Fan motor	
6	323425		1	Fan motor support	
14	C307981		1	Front panel	
11	372341		2	Half-scroll	
.	291245		1	Heating element 1000W(with 2 safety thermostats)	electrical heating case
21	C372338		1	Horizontal front deflector	
21	C372339		1	Horizontal rear deflector	
33	232528		1	HP switch 420 PSI avec fils noir lg 1,70m	
12	C373245		1	LH side	
10	4521029		2	Motor clamp	
16	4520429		1	Motor connect wire	
22	263034		1	Motor vertical deflectors	
.	243213		1	Plug (heat pump+HE)	electrical heating case
1	307979		1	Rear panel	
2	382334		1	Rear panel isulation	
35	230380		1	Relay Finder 2RT 66.82.250V/30A	KF1 relay for compressor
35	230356		1	Relay Finder NO 65-31-8-230-0300	Replaced by 230380 + 399738
17	C373244		1	RH side	
.	232375		1	Safety thermostat single-pole	electrical heating case
30	311036		1	Storm panel	
15	C484001		1	Suction grill with filters	
34	236335		1	Terminal (12 bits)	

**Brand :Airwell Model : SX SP 12 / R407C**

Product Number : 7SP012090

Internal number : 3111

Version : Cooling only 230/1/50

**Spare parts list used**

<b>Loc</b>	<b>Spare parts code</b>	<b>Replaced by</b>	<b>Qty</b>	<b>Description</b>	<b>Observation</b>
31	232532		1	Thermostat KLR-E 7202 (distance controller)	
.	231189		1	Time-delay relay Finder AI 1RT 80-11 8 240	
32	231105		1	Timer Crouzet SAS 4MN	
7	293321		2	Turbine D140mm/lg=190mm	
18	371257		10	Vertical deflector link rod	

**Brand :Airwell Model : SX SP 15 / R407C**

Product Number : 7SP012091

Internal number : 3112

Version : Cooling only 230/1/50

**Spare parts list used**

Loc	Spare parts code	Replaced by	Qty	Description	Observation
13	C221555		2	Air filter	
8	4520933		1	Auto-transformer	
5	233200		1	Capacitor 1uF/400V screw	
27	4525097		1	Deicing thermostat	
19	4524487		1	Discharge frame	
20	375209-01		1	Display screen Airwell	
.	251003		1	Drain plug	
.	399738		1	Electric diagram SE 3155D	For replaced relay 230356
3	C421397		1	Evaporator	
4	373247		1	Fan frame (condensate tray)	
9	4520929		1	Fan motor	
6	323425		1	Fan motor support	
14	C307981		1	Front panel	
11	372341		2	Half-scroll	
.	291245		1	Heating element 1000W(with 2 safety thermostats)	electrical heating case
21	C372338		1	Horizontal front deflector	
21	C372339		1	Horizontal rear deflector	
33	232528		1	HP switch 420 PSI avec fils noir lg 1,70m	
12	C373245		1	LH side	
10	4521029		2	Motor clamp	
16	4520429		1	Motor connect wire	
22	263034		1	Motor vertical deflectors	
.	243213		1	Plug (heat pump+HE)	electrical heating case
1	307979		1	Rear panel	
2	382334		1	Rear panel isulation	
35	230380		1	Relay Finder 2RT 66.82.250V/30A	KF1 relay for compressor
35	230356		1	Relay Finder NO 65-31-8-230-0300	Replaced by 230380 + 399738
17	C373244		1	RH side	
.	232375		1	Safety thermostat single-pole	electrical heating case
36	232266		1	Servodrive pressure switch P15CS JC screw type	
30	311036		1	Storm panel	
15	C484001		1	Suction grill with filters	
34	236335		1	Terminal (12 bits)	
31	232532		1	Thermostat KLR-E 7202 (distance controller)	

**Brand :Airwell Model : SX SP 15 / R407C**

Product Number : 7SP012091

Internal number : 3112

Version : Cooling only 230/1/50

**Spare parts list used**

Loc	Spare parts code	Replaced by	Qty	Description	Observation
.	231189		1	Time-delay relay Finder AI 1RT 80-11 8 240	
32	231105		1	Timer Crouzet SAS 4MN	
7	293321		2	Turbine D140mm/lg=190mm	
18	371257		10	Vertical deflector link rod	

**Brand :Airwell Model : SX SP 18 / R407C**

Product Number : 7SP012092

Internal number : 3113

Version : Cooling only 230/1/50

**Spare parts list used**

Loc	Spare parts code	Replaced by	Qty	Description	Observation
13	C221555		2	Air filter	
8	4520933		1	Auto-transformer	
5	233201		1	Capacitor 2uF/400V screw	
27	4525097		1	Deicing thermostat	
19	4524487		1	Discharge frame	
20	375209-01		1	Display screen Airwell	
.	251003		1	Drain plug	
.	399738		1	Electric diagram SE 3155D	For replaced relay 230356
3	C421399		1	Evaporator	
4	373247		1	Fan frame (condensate tray)	
9	4520930		1	Fan motor	
6	323425		1	Fan motor support	
14	C307981		1	Front panel	
11	372341		2	Half-scroll	
.	291245		1	Heating element 1000W(with 2 safety thermostats)	electrical heating case
21	C372338		1	Horizontal front deflector	
21	C372339		1	Horizontal rear deflector	
33	232528		1	HP switch 420 PSI avec fils noir lg 1,70m	
12	C373245		1	LH side	
10	4521029		2	Motor clamp	
16	4520429		1	Motor connect wire	
22	263034		1	Motor vertical deflectors	
.	243213		1	Plug (heat pump+HE)	electrical heating case
1	307979		1	Rear panel	
2	382334		1	Rear panel isulation	
35	230380		1	Relay Finder 2RT 66.82.250V/30A	KF1 relay for compressor
35	230356		1	Relay Finder NO 65-31-8-230-0300	Replaced by 230380 + 399738
17	C373244		1	RH side	
.	232375		1	Safety thermostat single-pole	electrical heating case
36	232266		1	Servodrive pressure switch P15CS JC screw type	
30	311036		1	Storm panel	
15	C484001		1	Suction grill with filters	
34	236335		1	Terminal (12 bits)	
31	232532		1	Thermostat KLR-E 7202 (distance controller)	

**Brand :Airwell Model : SX SP 18 / R407C**

Product Number : 7SP012092

Internal number : 3113

Version : Cooling only 230/1/50

**Spare parts list used**

<b>Loc</b>	<b>Spare parts code</b>	<b>Replaced by</b>	<b>Qty</b>	<b>Description</b>	<b>Observation</b>
.	231189		1	Time-delay relay Finder AI 1RT 80-11 8 240	
32	231105		1	Timer Crouzet SAS 4MN	
7	293321		2	Turbine D140mm/lg=190mm	
18	371257		10	Vertical deflector link rod	

**Brand :Airwell Model : SX SP 24 / R407C**

Product Number : 7SP012093

Internal number : 3114

Version : Cooling only 230/1/50

**Spare parts list used**

Loc	Spare parts code	Replaced by	Qty	Description	Observation
13	C221554		2	Air filter	
8	4520934		1	Auto-transformer	
5	233300		1	Capacitor 2.5uF/400V screw + plugs	
27	4525097		1	Deicing thermostat	
19	4524488		1	Discharge frame	
20	375209-01		1	Display screen Airwell	
.	251003		1	Drain plug	
.	399738		1	Electric diagram SE 3155D	For replaced relay 230356
3	C421401		1	Evaporator	
4	373246		1	Fan frame (condensate tray)	
9	4520931		1	Fan motor	
6	323422		1	Fan motor support	
14	C307982		1	Front panel	
11	372340		2	Half-scroll	
.	291251		1	Heating element 1500W (2x750W)	electrical heating case
21	C372336		1	Horizontal front deflector	
21	C372337		1	Horizontal rear deflector	
33	232528		1	HP switch 420 PSI avec fils noir lg 1,70m	
12	C373245		1	LH side	
10	4521029		2	Motor clamp	
16	4520429		1	Motor connect wire	
22	263034		1	Motor vertical deflectors	
.	243213		1	Plug (heat pump+HE)	electrical heating case
1	307980		1	Rear panel	
2	382333		1	Rear panel isulation	
35	230380		1	Relay Finder 2RT 66.82.250V/30A	KF1 relay for compressor
35	230356		1	Relay Finder NO 65-31-8-230-0300	Replaced by 230380 + 399738
17	C373244		1	RH side	
.	232375		1	Safety thermostat single-pole	electrical heating case
36	232266		1	Servodrive pressure switch P15CS JC screw type	
30	311036		1	Storm panel	
15	C484002		1	Suction grill with filters	
34	236335		1	Terminal (12 bits)	
31	232532		1	Thermostat KLR-E 7202 (distance controller)	



**Brand :Airwell Model : SX SP 24 / R407C**

Product Number : 7SP012093

Internal number : 3114

Version : Cooling only 230/1/50

**Spare parts list used**

<b>Loc</b>	<b>Spare parts code</b>	<b>Replaced by</b>	<b>Qty</b>	<b>Description</b>	<b>Observation</b>
.	231189		1	Time-delay relay Finder AI 1RT 80-11 8 240	
32	231105		1	Timer Crouzet SAS 4MN	
7	293322		2	Turbine lg=240mm	
18	371257		10	Vertical deflector link rod	

**Brand :Airwell Model : SX SP 30 / R407C**

Product Number : 7SP012094

Internal number : 3115

Version : Cooling only 230/1/50

**Spare parts list used**

Loc	Spare parts code	Replaced by	Qty	Description	Observation
13	C221554		2	Air filter	
5	233299		1	Capacitor 4uF/400V screw	
27	4525097		1	Deicing thermostat	
19	C370280		1	Discharge frame	
20	375209-01		1	Display screen Airwell	
.	251003		1	Drain plug	
.	399738		1	Electric diagram SE 3155D	For replaced relay 230356
3	C421403		1	Evaporator	
4	373246		1	Fan frame (condensate tray)	
9	4520932		1	Fan motor	
6	323422		1	Fan motor support	
14	C307982		1	Front panel	
11	372340		2	Half-scroll	
.	291251		1	Heating element 1500W (2x750W)	electrical heating case
21	C372336		1	Horizontal front deflector	
21	C372337		1	Horizontal rear deflector	
33	232528		1	HP switch 420 PSI avec fils noir lg 1,70m	
12	C373245		1	LH side	
10	4521029		2	Motor clamp	
22	263034		1	Motor vertical deflectors	
.	243213		1	Plug (heat pump+HE)	electrical heating case
1	307980		1	Rear panel	
2	382333		1	Rear panel isulation	
35	230380		1	Relay Finder 2RT 66.82.250V/30A	KF1 relay for compressor
35	230356		1	Relay Finder NO 65-31-8-230-0300	Replaced by 230380 + 399738
17	C373244		1	RH side	
.	232375		1	Safety thermostat single-pole	electrical heating case
36	232266		1	Servodrive pressure switch P15CS JC screw type	
30	311036		1	Storm panel	
15	C484002		1	Suction grill with filters	
34	236335		1	Terminal (12 bits)	
31	232532		1	Thermostat KLR-E 7202 (distance controller)	
32	231105		1	Timer Crouzet SAS 4MN	
7	293322		2	Turbine lg=240mm	

**Brand :Airwell Model : SX SP 30 / R407C**

Product Number : 7SP012094

Internal number : 3115

Version : Cooling only 230/1/50

**Spare parts list used**

<b>Loc</b>	<b>Spare parts code</b>	<b>Replaced by</b>	<b>Qty</b>	<b>Description</b>	<b>Observation</b>
18	371257		10	Vertical deflector link rod	