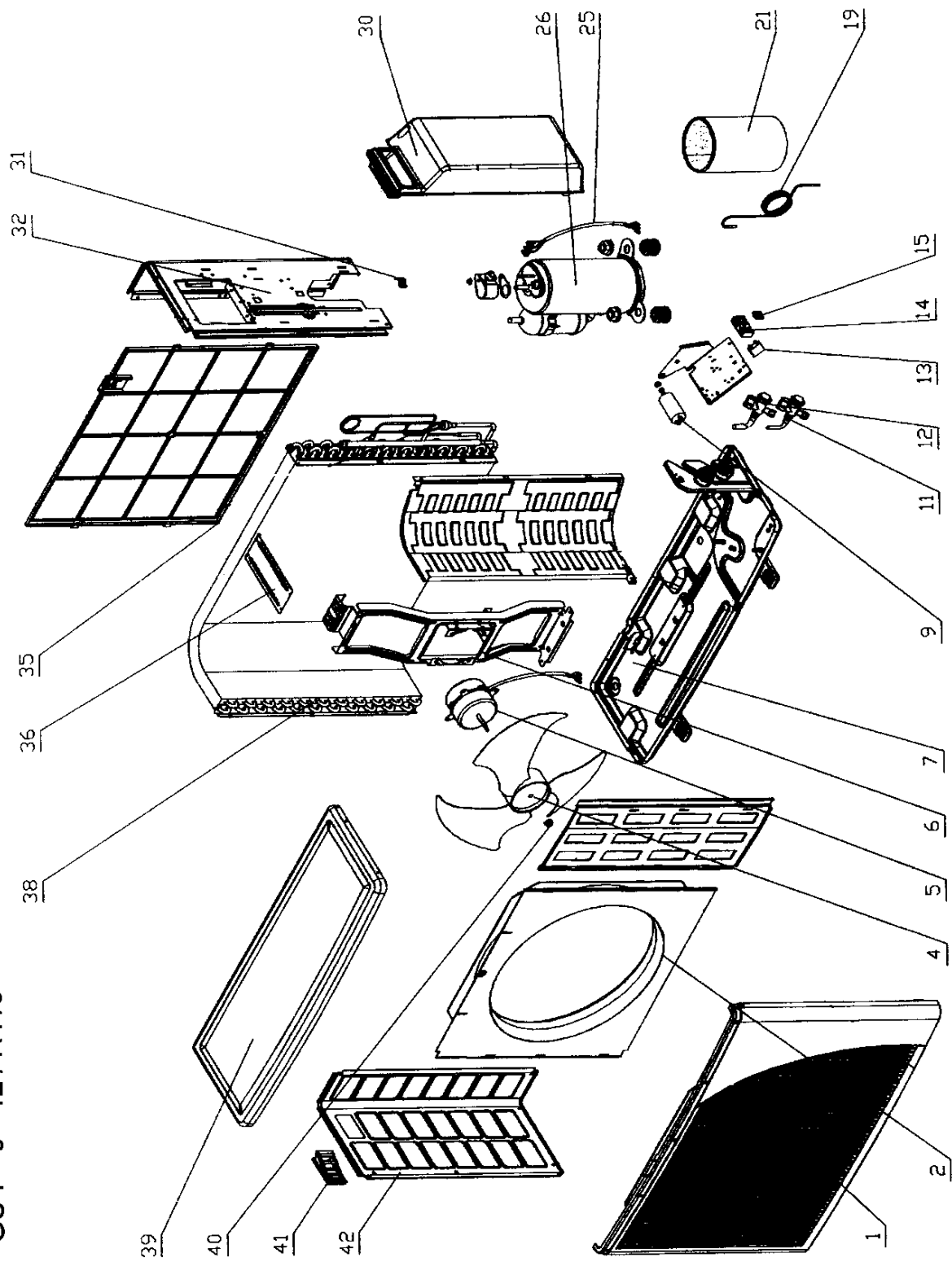


GC 7 - 9 - 12 / R410



Brand :Airwell Model : GC 9 N / R410

Product Number : 7SP061441

Internal number : 3588

Version : Cooling only 230/1/50

Spare parts list used

Loc	Spare parts code	Replaced by	Qty	Description	Observation
2	433221		1	Baffle	
7	4526747		1	Bottom	
15	204107		1	Cable clamp	
9	455000503		1	Capacitor	
13	455000001		1	Capacitor 2uF	
19	4527281		1	Capillary assembly	
31	433234		1	Clamp	
26	4524230		1	Compressor GK113PAG/R410A	
21	452799601		1	Compressor jacket	
25	4527008		1	Compressor wiring	
38	4527155		1	Condenser	
5	4519250		1	Fan motor	
1	433218		1	Front panel	
12	4524177		1	Gas valve 3/8"	
41	433225		1	Handle	
36	433216		1	Leg motor support	
42	4519607		1	LH panel	
11	4524176		1	Liquid valve 1/4"	
6	4527203		1	Motor support	
4	4519251		1	Propeller	
40	4519300		1	Propeller attachment Nut	
35	433228		1	Rear grill	
32	4519606		1	RH panel	
14	4514588		1	Terminal (5 bits)	
39	4519614		1	Top panel	
30	433229		1	Valve cover	

Brand :Airwell Model : GC 9 NSX RC / R410

Product Number : 7SP061554

Internal number : 3822

Version : Heat pump 230/1/50

Spare parts list used

Loc	Spare parts code	Replaced by	Qty	Description	Observation
2	433221		1	Baffle	
17	4516637		1	Battery probe (black)	
7	4526747		1	Bottom	
15	204107		1	Cable clamp	
9	455000503		1	Capacitor	
31	433234		1	Clamp	
.	433217		1	Compressor bulkhead	
26	4524230		1	Compressor GK113PAG/R410A	
21	452799601		1	Compressor jacket	
25	4527008		1	Compressor wiring	
36	452841700		1	Condenser	
5	4519250		1	Fan motor	
1	433218		1	Front panel	
12	4524177		1	Gas valve 3/8"	
39	433225		1	Handle	
35	433216		1	Leg motor support	
40	4519607		1	LH panel	
11	4524176		1	Liquid valve 1/4"	
13	455000108		1	Motor fan capacitor	
6	4527203		1	Motor support	
19	452812900		1	One way valve soldering	
4	4519251		1	Propeller	
38	4519300		1	Propeller attachment Nut	
34	433228		1	Rear grill	
33	4527135		1	Reversing valve+tubing	
32	4519606		1	RH panel	
16	236179		1	Terminal (2 bits)	
14	4514588		1	Terminal (5 bits)	
37	4519614		1	Top panel	
30	433229		1	Valve cover	

Brand :Airwell Model : GC 12 N / R410

Product Number : 7SP061442

Internal number : 3589

Version : Cooling only 230/1/50

Spare parts list used

Loc	Spare parts code	Replaced by	Qty	Description	Observation
2	433221		1	Baffle	
30	433229		1	Cache-vannes	
31	433234		1	Collier	
26	4526452		1	Compresseur GMCC PA145X2C-4FT	
9	455000504		1	Condensateur 35uF	
13	455000108		1	Condensateur moteur ventil	
38	4526804		1	Condenseur	
40	4519300		1	Ecrou fixation hélice	
19	4526848		1	Ens. capillaire	
25	4519987		1	Faisceau compresseur	
7	452772500		1	Fond	
35	433228		1	Grille arrière	
4	4519251		1	Hélice	
21	4527058		1	Jaquette compresseur	
5	4519692		1	Moteur ventil	
1	433218		1	Panneau avant	
39	4519614		1	Panneau de dessus	
32	4519606		1	Panneau droit	
42	4519607		1	Panneau gauche	
36	433216		1	Patte support moteur	
41	433225		1	Poignée	
14	4514588		1	Règlette (5 bornes)	
15	204107		1	Serre-cable	
6	4527203		1	Support moteur	
12	4524177		1	Vanne gaz 3/8"	
11	4524176		1	Vanne liquide 1/4"	

Brand :Airwell Model : GC 12 NSX RC / R410

Product Number : 7SP061555

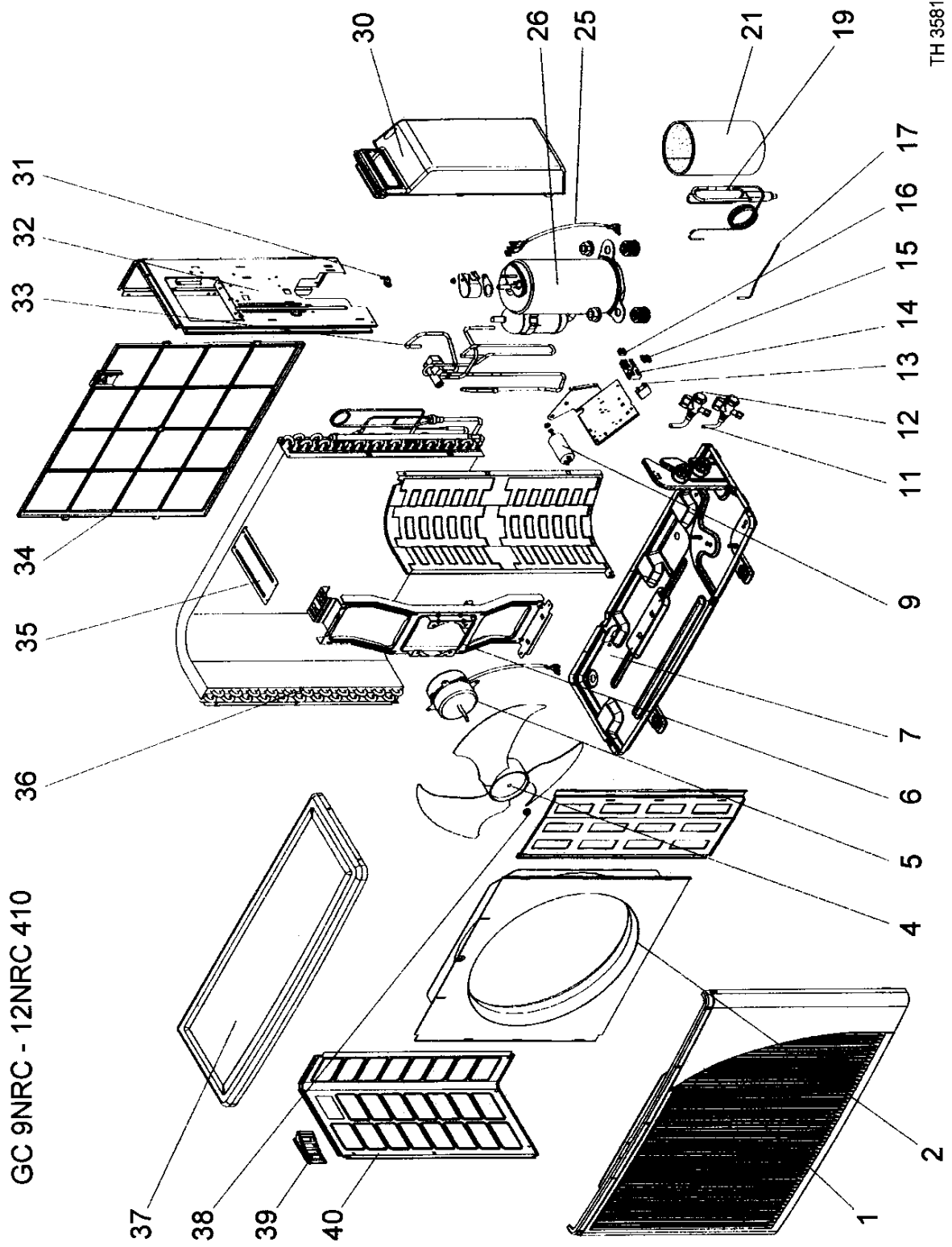
Internal number : 3823

Version : Heat pump 230/1/50

Spare parts list used

Loc	Spare parts code	Replaced by	Qty	Description	Observation
2	433221		1	Baffle	
30	433229		1	Cache-vannes	
31	433234		1	Collier	
26	4526452		1	Compresseur GMCC PA145X2C-4FT	
9	455000504		1	Condensateur 35uF	
13	455000108		1	Condensateur moteur ventil	
36	4526804		1	Condenseur	
38	4519300		1	Ecrou fixation hélice	
19	4526849		1	Ens. capillaire avec vanne	
25	4519987		1	Faisceau compresseur	
7	452772500		1	Fond	
34	433228		1	Grille arrière	
4	4519251		1	Hélice	
21	4527058		1	Jaquette compresseur	
5	4519692		1	Moteur ventil	
1	433218		1	Panneau avant	
37	4519614		1	Panneau de dessus	
32	4519606		1	Panneau droit	
40	4519607		1	Panneau gauche	
35	433216		1	Patte support moteur	
39	433225		1	Poignée	
16	236179		1	Règlette (2 bornes)	
14	4514588		1	Règlette (5 bornes)	
15	204107		1	Serre-cable	
17	4516637		1	Sonde batterie (noire)	
6	4527203		1	Support moteur	
33	4526745		1	Vanne d'inversion+tubing	
12	4524177		1	Vanne gaz 3/8"	
11	4524176		1	Vanne liquide 1/4"	

GC 9NRC - 12NRC 410



Brand :Airwell Model : GC 14 N / R410

Product Number : 7SP061443

Internal number : 3633

Version : Heat pump 230/1/50

Spare parts list used

Loc	Spare parts code	Replaced by	Qty	Description	Observation
2	433221		1	Baffle	
17	4516637		1	Battery probe (black)	
7	4527255		1	Bottom	
15	204107		1	Cable clamp	
9	455000503		1	Capacitor	
19	4526919		1	Capillary assembly	
31	433234		1	Clamp	
21	4527058		1	Compressor jacket	
26	4526453		1	Compressor RN165VHSMT/R410	
25	4519987		1	Compressor wiring	
36	4526796		1	Condenser	
5	4520171	A épuiser puis 45201	1	Fan motor	
1	433219		1	Front panel	
12	4524595		1	Gas valve 1/2"	
39	433225		1	Handle	
35	433216		1	Leg motor support	
40	4519607		1	LH panel	
11	4524176		1	Liquid valve 1/4"	
13	455000108		1	Motor fan capacitor	
6	4527203		1	Motor support	
4	4519251		1	Propeller	
38	4519300		1	Propeller attachment Nut	
34	433228		1	Rear grill	
32	4519606		1	RH panel	
16	236179		1	Terminal (2 bits)	
14	4514588		1	Terminal (5 bits)	
37	4519614		1	Top panel	
30	433229		1	Valve cover	

Brand :Airwell Model : GC 14 NRC / R410

Product Number : 7SP061431

Internal number : 3627

Version : Heat pump 230/1/50

Spare parts list used

Loc	Spare parts co	Replaced by	Qty	Prix en F	Prix en E	Description	Observation
2	433221		1		21,27E	Baffle	
17	4516637		1			Battery probe (black)	
7	4527255		1		63,82E	Bottom	
15	204107		1		0,57E	Cable clamp	
9	455000504		1		14,15E	Capacitor 35uF	
19	4526918		1		35,52E	Capillary+valve assy	
31	433234		1		0,43E	Clamp	
21	4527058		1		10,64E	Compressor jacket	
26	4526453		1		421,08E	Compressor RN165VHSMT/R410	
25	4519987		1		5,00E	Compressor wiring	
36	4526796		1		328,85E	Condenser	
5	4520171	A épuiser puis 452	1	0,00F	74,45E	Fan motor	
1	433218		1		42,54E	Front panel	
12	4524595		1		21,27E	Gas valve 1/2"	
39	433225		1		2,13E	Handle	
35	433216		1		2,23E	Leg motor support	
40	4519607		1		21,27E	LH panel	
11	4524176		1		10,64E	Liquid valve 1/4"	
13	455000108		1	0,00F	2,02E	Motor fan capacitor	
6	4527203		1		15,10E	Motor support	
4	4519251		1		10,64E	Propeller	
38	4519300		1		0,11E	Propeller attachment Nut	
34	433228		1		4,89E	Rear grill	
33	4526794		1		100,08E	Reversing valve+tubing	
32	4519606		1		21,27E	RH panel	
16	236179		1		1,49E	Terminal (2 bits)	
14	4514588		1		4,47E	Terminal (5 bits)	
37	4519614		1		31,91E	Top panel	
30	433229		1		10,64E	Valve cover	

Brand :Airwell Model : GCN 24 N / R410

Product Number : 7SP061594

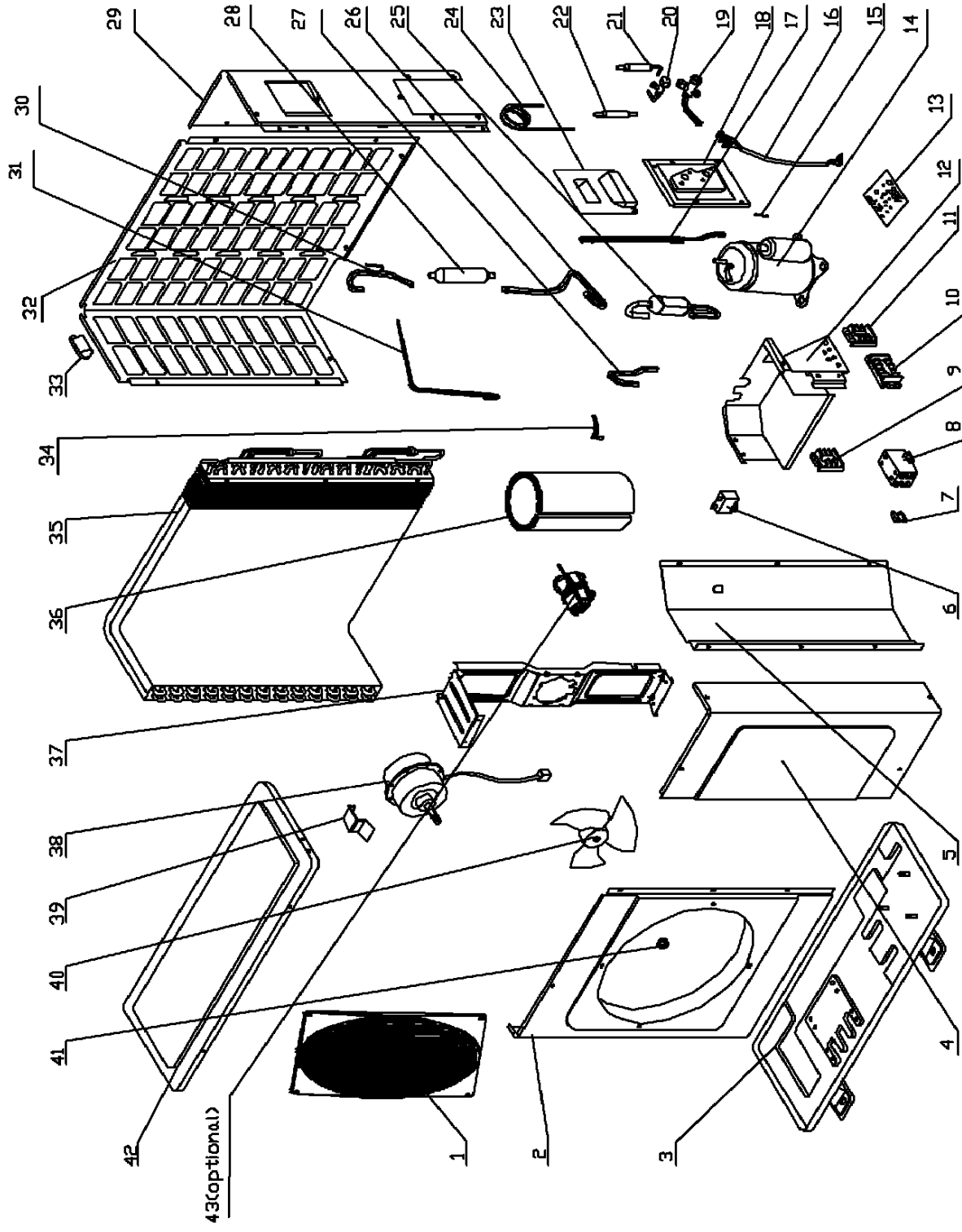
Internal number : 4386

Version : Cooling only 230/1/50

Spare parts list used

Loc	Spare parts code	Replaced by	Qty	Description	Observation
6	433705		1	Bottom assy	
20	442016		1	Capacitor 55uF/400V	
18	442007		1	Capacitor 6uF/400V	
15	433845		1	Capillary assembly	
13	190443		1	Casing resistor Mitsubishi	
14	433293		1	Compressor Mitsubishi NH NN27VBAMT	
21	437274		1	Compressor wiring Mitsubishi	
7	433846		1	Condenser	
22	402283		1	Cylinder liquid storage 3,5 l	
3	436357		1	Electrical box panel	
17	402495	473279	1	Electronic card Typhoon 5B	
9	434062		1	Fan motor 86W	
12	439342		1	Fan motor support	
4	439329		1	Front panel	
45	433847		1	Gas valve assy	
5	437091		1	Grill square (rounded)	
11	436358	371054	1	Handle	
10	433281		1	LH panel	
19	434716		1	Probe lg 1050mm (coil)	
8	4529604		1	Propeller D493*143	
2	433280		1	RH panel	
1	437045		1	Top panel	
16	433817		1	Tubing assembly	

GC 18 N / R410



Brand :Airwell Model : GC 18 N / R410

Product Number : 7SP061444

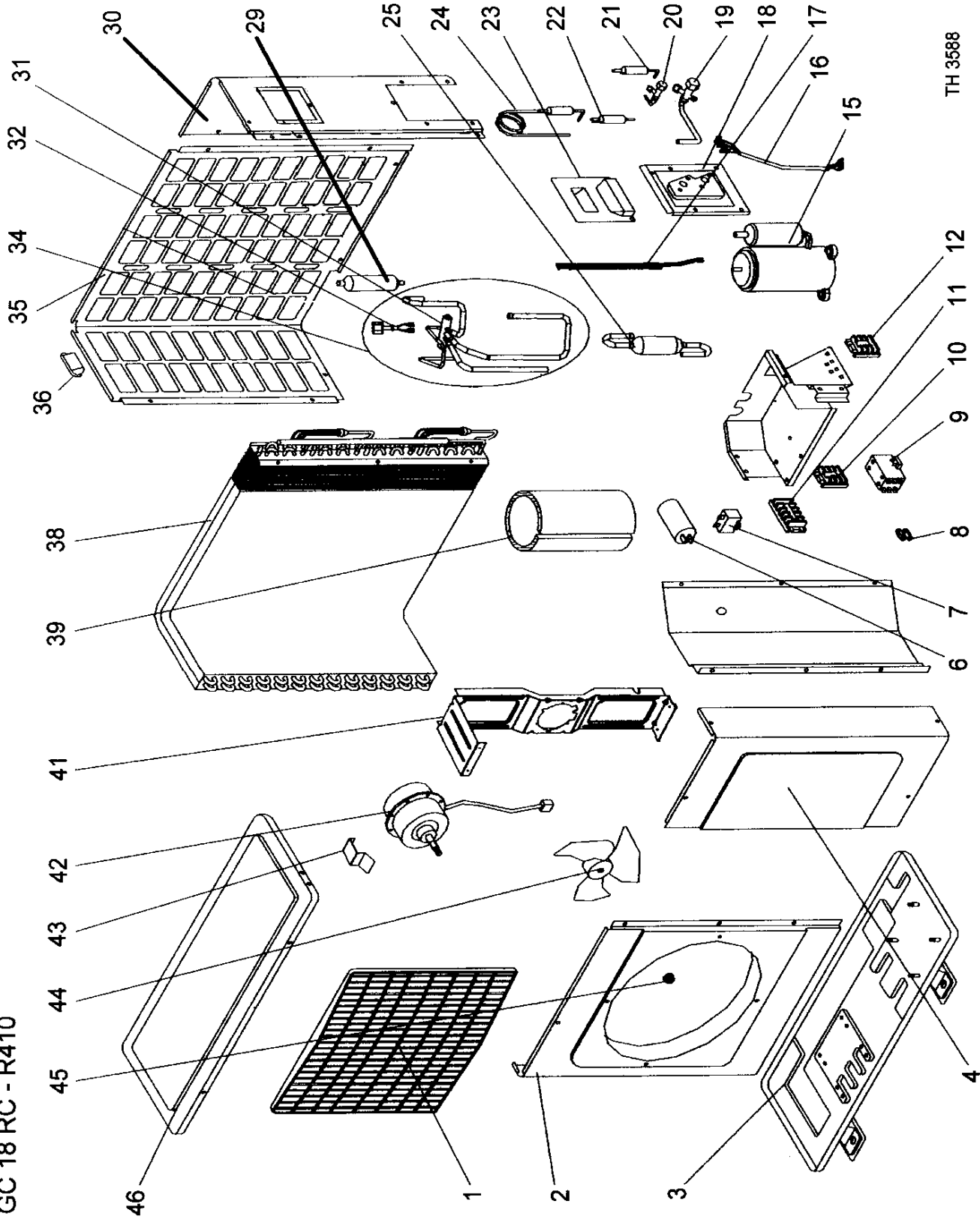
Internal number : 3775

Version : Cooling only 230/1/50

Spare parts list used

Loc	Spare parts code	Replaced by	Qty	Description	Observation
3	4526956		1	Bottom	
8	204107		2	Cable clamp	
13	4525427		1	Capacitor clip	
22	452821900		1	Capillary assembly	
6	455000507		1	Compressor capacitor	
14	4526623		1	Compressor GJ-208P/R410	
33	4526899		1	Compressor jacket	
15	4517345		1	Compressor wiring	
32	452821300		1	Condenser	
23	4523338		1	Cylinder	
21	4523145		1	Electrical box panel	
35	4526864	4526864R	1	Fan motor YYK85E-6	
2	452795700		1	Front panel	
4	94516786		1	Front RH panel	
17	4526530		1	Gas valve	
1	4517144		1	Grill square	
30	4516758		1	Handle	
36	4526585		1	Leg motor support	
18	4526531		1	Liquid valve	
7	455000104		1	Motor capacitor	
34	4526509		1	Motor support	
26	4526719		1	Muffle	
38	4523141		1	Nut M10	
37	4526510		1	Propeller d=460mm	
29	4517028		1	Rear panel	
20	4526839		1	Refrigerant filter assy	
19	4526931		1	Refrigerant filter assy	
27	4525938		1	Side panel	
9	4521744		1	Terminal (3 bits/4mm2)	
10	4522469		1	Terminal (4 bits)	
11	4521733		1	Terminal (6 bits/6mm2)	
39	4516788		1	Top panel	
16	4516766		1	Valve plate assy	

GC 18 RC - R410



TH 3588

Brand :Airwell Model : GC 18 NRC / R410

Product Number : 7SP061436

Internal number : 3628

Version : Heat pump 230/1/50

Spare parts list used

Loc	Spare parts code	Replaced by	Qty	Description	Observation
3	4526956		1	Bottom	
8	204107		2	Cable clamp	
24	4526840		1	Capillary assembly	
17	4526922		1	Casing resistor	
32	4526589		1	Coil reversing valve	
6	455000507		1	Compressor capacitor	
15	4526623		1	Compressor GJ-208P/R410	
39	4526899		1	Compressor jacket	
16	4517345		1	Compressor wiring	
38	4526706		1	Condenser	
.	4516429		1	Condenser probe	
9	4524907		1	Contactora CJX9B-25S/01	
25	4523338		1	Cylinder	
23	4523145		1	Electrical box panel	
42	4526864	4526864R	1	Fan motor YYK85E-6	
2	452795700		1	Front panel	
4	94516786		1	Front RH panel	
19	4526530		1	Gas valve	
1	4517144		1	Grill square	
36	4516758		1	Handle	
43	4526585		1	Leg motor support	
20	4526531		1	Liquid valve	
7	455000102		1	Motor capacitor	
41	4526509		1	Motor support	
29	4526719		1	Muffle	
45	4523141		1	Nut M10	
44	4526510		1	Propeller d=460mm	
35	4517028		1	Rear panel	
22	4526839		1	Refrigerant filter assy	
21	4526931		1	Refrigerant filter assy	
31	4526522		1	Reversing valve	
34	4526710		1	Reversing valve+tubing	
30	4525938		1	Side panel	
10	4521744		1	Terminal (3 bits/4mm2)	

Brand :Airwell Model : GC 18 NRC / R410

Product Number : 7SP061436

Internal number : 3628

Version : Heat pump 230/1/50

Spare parts list used

Loc	Spare parts code	Replaced by	Qty	Description	Observation
11	4522469		1	Terminal (4 bits)	
12	4521733		1	Terminal (6 bits/6mm2)	
46	4516788		1	Top panel	
18	4516766		1	Valve plate assy	

Brand :Airwell Model : GC 18 NRCT / R410

Product Number : 7SP061589

Internal number : 3999

Version : Heat pump 400/3/50

Spare parts list used

Loc	Spare parts code	Replaced by	Qty	Description	Observation
3	4526956		1	Bottom	
8	204107		2	Cable clamp	
24	4526840		1	Capillary assembly	
32	4526589		1	Coil reversing valve	
39	452891300		1	Compressor jacket	
15	453019600		1	Compressor NN21Y	
16	4517131		1	Compressor wiring	
38	452796500		1	Condenser	
9	452872000		2	Contacteur (GC3-18S/01TH)	
25	452891400		1	Cylinder	
23	4523145		1	Electrical box panel	
42	4526864	4526864R	1	Fan motor YYK85E-6	
2	452795700		1	Front panel	
4	94516786		1	Front RH panel	
19	453163700		1	Gas valve	
1	4517144		1	Grill square	
36	4516758		1	Handle	
17	4520870		1	Heating resistor compressor	
43	452907400		1	Leg motor support	
20	4526531		1	Liquid valve	
7	455000104		1	Motor capacitor	
41	4526509		1	Motor support	
29	4526291		1	Muffle	
45	4523141		1	Nut M10	
.	4519695		1	Phases protection relay	
44	4526510		1	Propeller d=460mm	
35	4517028		1	Rear panel	
22	4526931		1	Refrigerant filter assy	
21	4526839		1	Refrigerant filter assy	
31	4526522		1	Reversing valve	
34	452882800		1	Reversing valve+tubing	
30	4525938		1	Side panel	
10	4522469		1	Terminal (4 bits)	
11	4527057		1	Terminal block 6 bits	

Brand :Airwell Model : GC 18 NRCT / R410

Product Number : 7SP061589

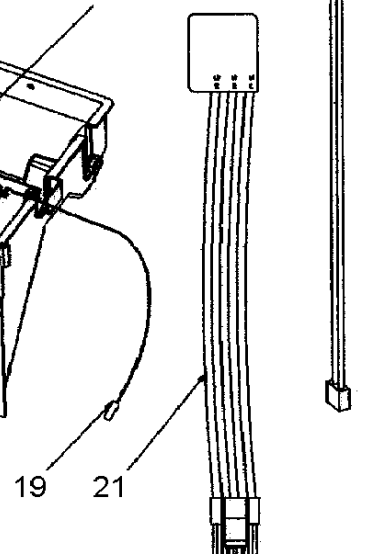
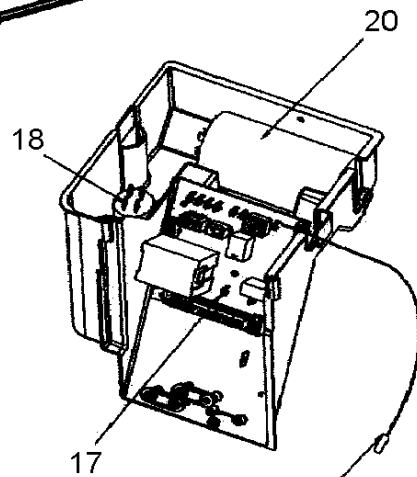
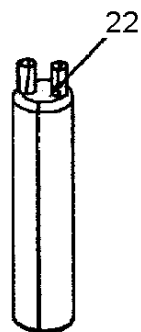
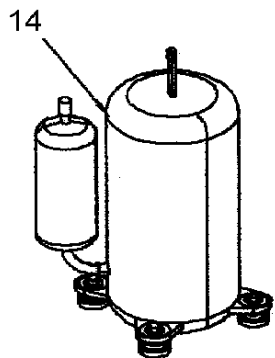
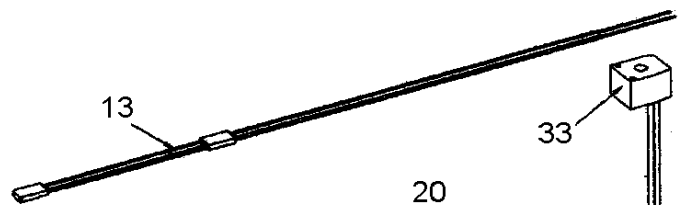
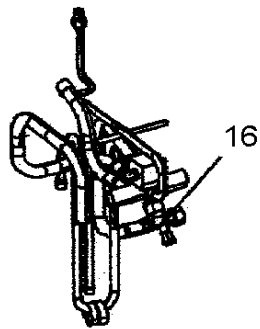
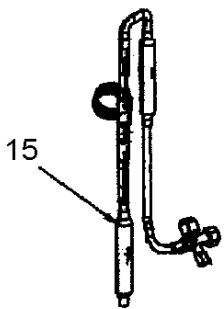
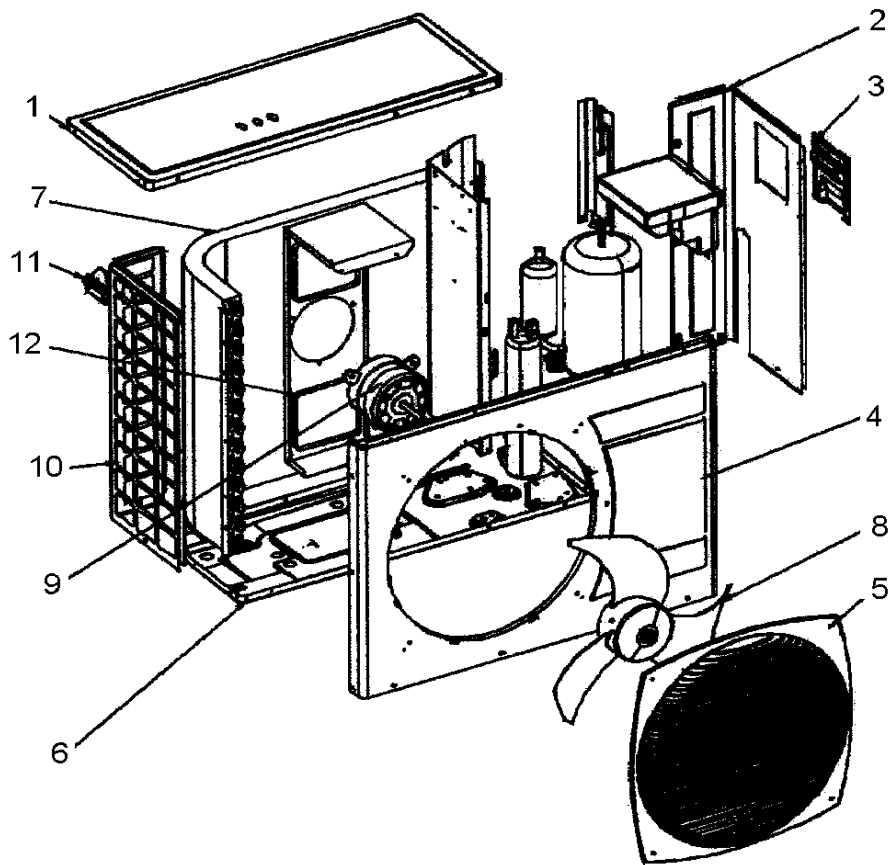
Internal number : 3999

Version : Heat pump 400/3/50

Spare parts list used

Loc	Spare parts code	Replaced by	Qty	Description	Observation
12	4521695		1	Terminal power (5 bits/6mm2)	
46	4516788		1	Top panel	
18	4516766		1	Valve plate assy	

GC 24 NRC



Brand :Airwell Model : GC 24 NRC / R410

Product Number : 7SP061596

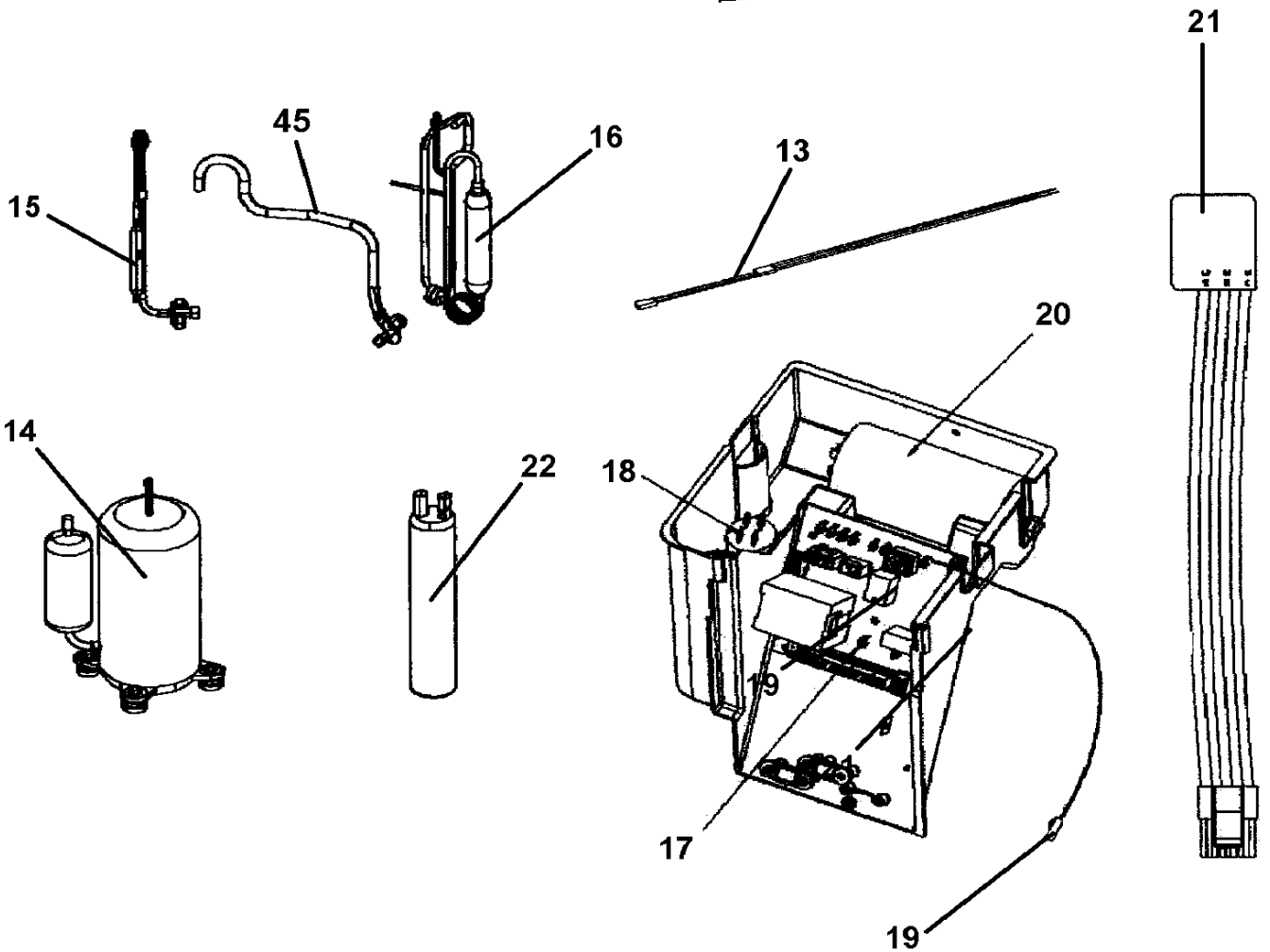
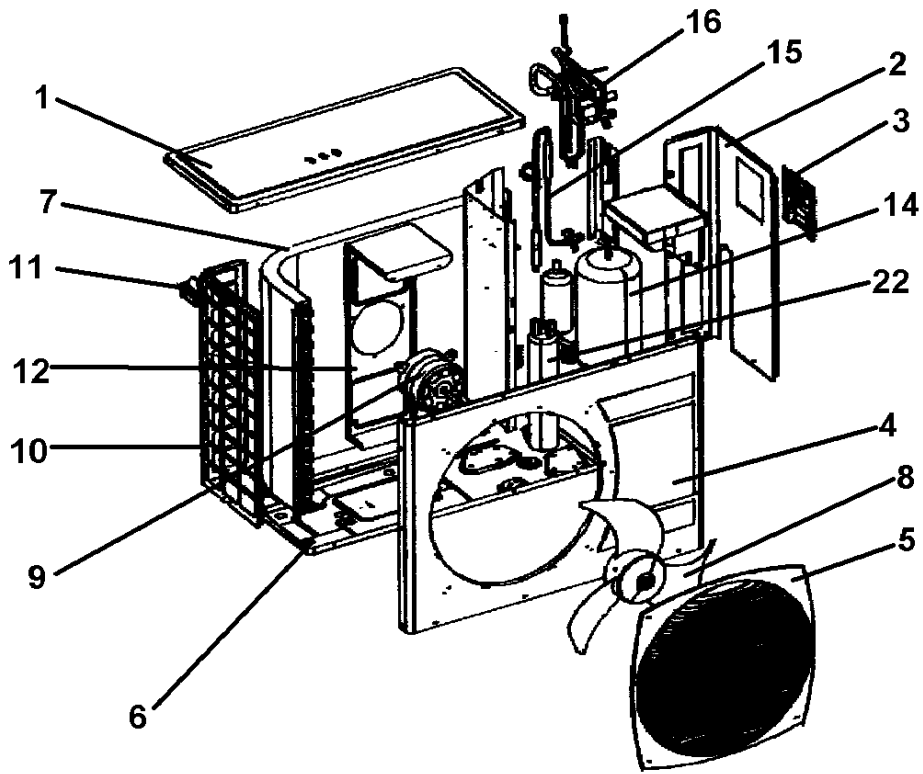
Internal number : 4177

Version : Heat pump 230/1/50

Spare parts list used

Loc	Spare parts code	Replaced by	Qty	Description	Observation
6	433294		1	Bottom assy	
20	442016		1	Capacitor 55uF/400V	
18	442007		1	Capacitor 6uF/400V	
15	433288		1	Capillary assembly	
13	190443		1	Casing resistor Mitsubishi	
33	442466		1	Coil reversing valve	
14	433293		1	Compressor Mitsubishi NH NN27VBAMT	
21	437274		1	Compressor wiring Mitsubishi	
7	433285		1	Condenser	
22	402283		1	Cylinder liquid storage 3,5 l	
3	372265	436357	1	Electrical box panel	
17	402495	473279	1	Electronic card Typhoon 5B	
9	434062		1	Fan motor 86W	
12	439342		1	Fan motor support	
4	439329		1	Front panel	
5	437091		1	Grill square (rounded)	
11	371054		1	Handle plastic	
10	433281		1	LH panel	
19	434716		1	Probe lg 1050mm (coil)	
8	4529604		1	Propeller D493*143	
16	433291		1	Reversing valve+tubing	
2	433280		1	RH panel	
1	437045		1	Top panel	

GCN 24 N - R410



Brand :Airwell Model : GCN 24 N / R410

Product Number : 7SP061594

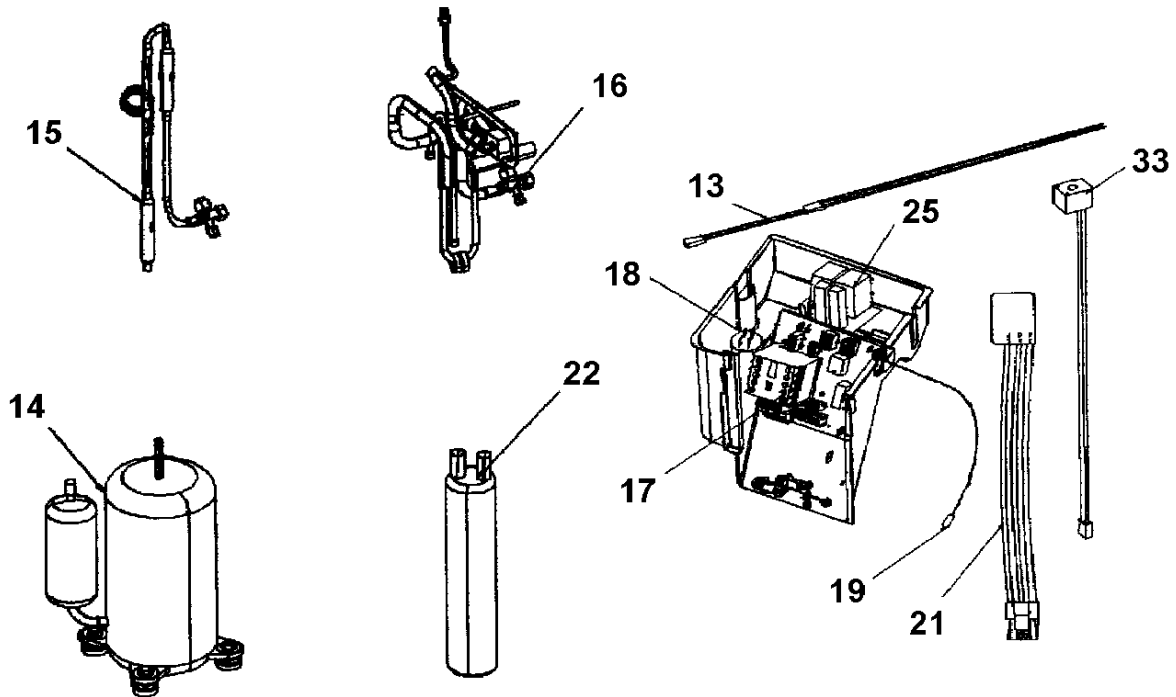
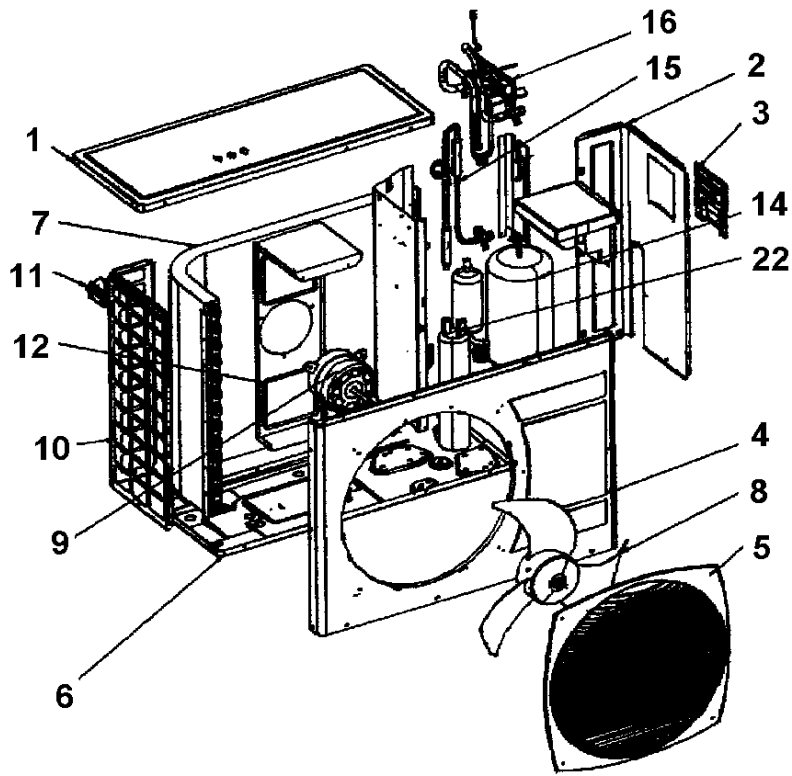
Internal number : 4386

Version : Cooling only 230/1/50

Spare parts list used

Loc	Spare parts code	Replaced by	Qty	Description	Observation
6	433705		1	Bottom assy	
20	442016		1	Capacitor 55uF/400V	
18	442007		1	Capacitor 6uF/400V	
15	433845		1	Capillary assembly	
13	190443		1	Casing resistor Mitsubishi	
14	433293		1	Compressor Mitsubishi NH NN27VBAMT	
21	437274		1	Compressor wiring Mitsubishi	
7	433846		1	Condenser	
22	402283		1	Cylinder liquid storage 3,5 l	
3	436357		1	Electrical box panel	
17	402495	473279	1	Electronic card Typhoon 5B	
9	434062		1	Fan motor 86W	
12	439342		1	Fan motor support	
4	439329		1	Front panel	
45	433847		1	Gas valve assy	
5	437091		1	Grill square (rounded)	
11	436358	371054	1	Handle	
10	433281		1	LH panel	
19	434716		1	Probe lg 1050mm (coil)	
8	4529604		1	Propeller D493*143	
2	433280		1	RH panel	
1	437045		1	Top panel	
16	433817		1	Tubing assembly	

GCN 24 RCT / R410A



Brand :Airwell Model : GCN 24 RCT / R410

Product Number : 7SP061598

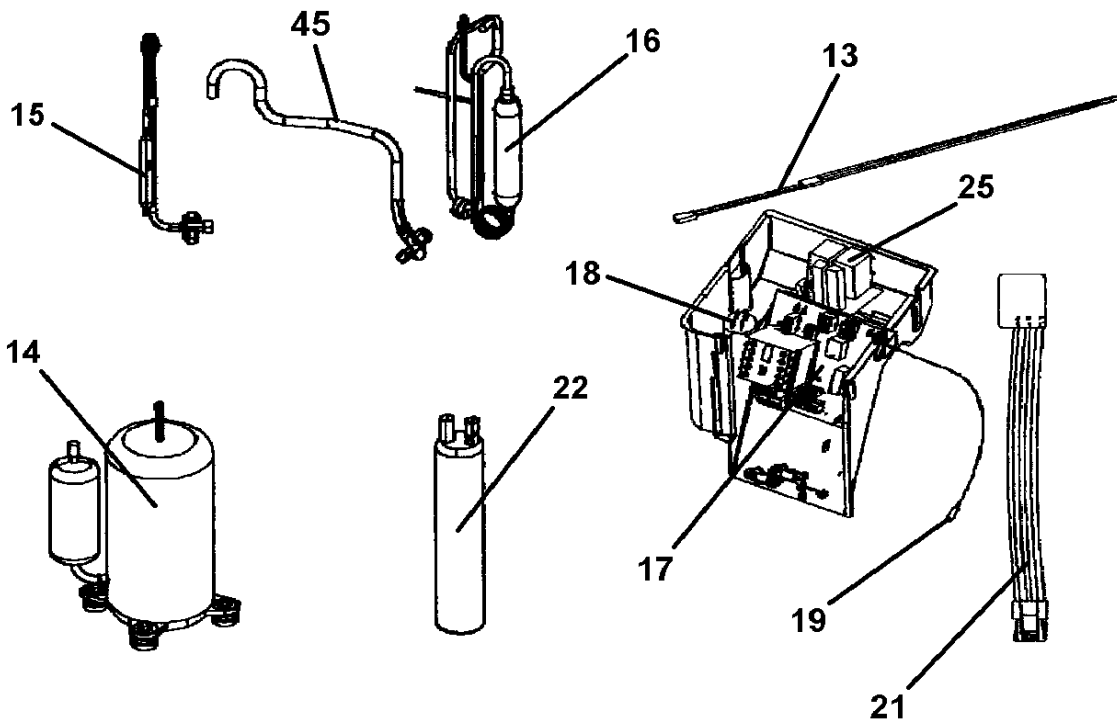
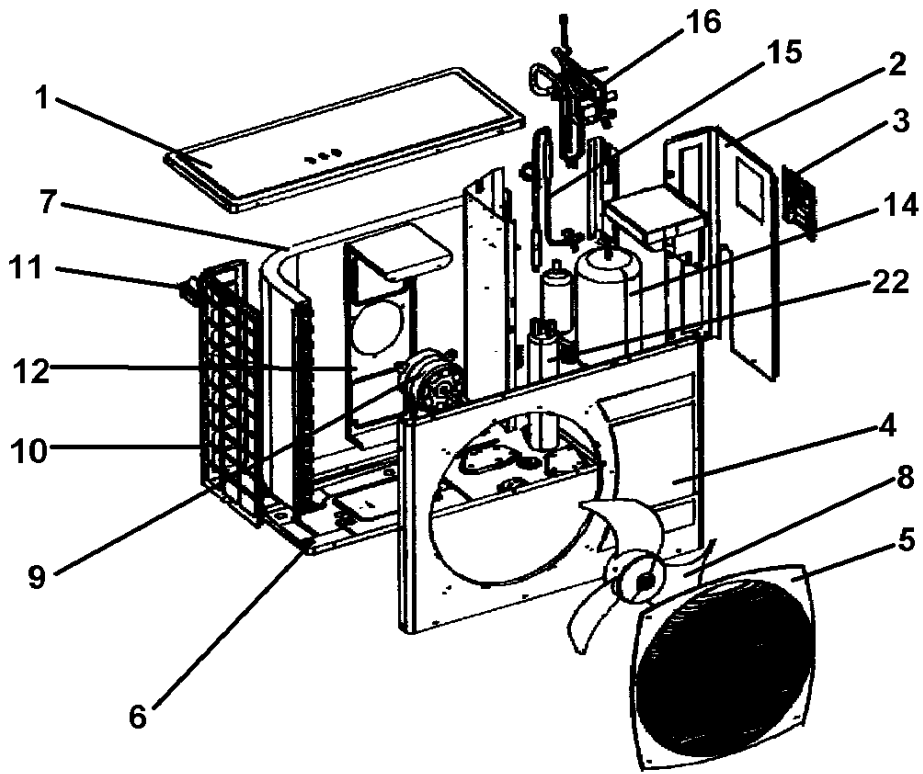
Internal number : 4344

Version : Heat pump 400/3/50

Spare parts list used

Loc	Spare parts code	Replaced by	Qty	Description	Observation
6	433294		1	Bottom assy	
18	442007		1	Capacitor 6uF/400V	
15	433288		1	Capillary assembly	
13	190443		1	Casing resistor Mitsubishi	
33	442466		1	Coil reversing valve	
14	433753		1	Compressor Mitsubishi NH NN27YDAMT tri	
21	437278		1	Compressor wiring Mitsubishi	
7	433285		1	Condenser	
22	402283		1	Cylinder liquid storage 3,5 l	
3	436357		1	Electrical box panel	
17	402494		1	Electronic card Typhoon 3C	
9	434211		1	Fan motor 70W	
12	439342		1	Fan motor support	
4	439329		1	Front panel	
5	437091		1	Grill square (rounded)	
11	436358	371054	1	Handle	
10	433281		1	LH panel	
25	439795		1	Phases protection relay	
19	434716		1	Probe lg 1050mm (coil)	
8	4529604		1	Propeller D493*143	
16	433291		1	Reversing valve+tubing	
2	433280		1	RH panel	
1	437045		1	Top panel	

GCN 24 T - R410



Brand :Airwell Model : GCN 24 T / R410

Product Number : 7SP061597

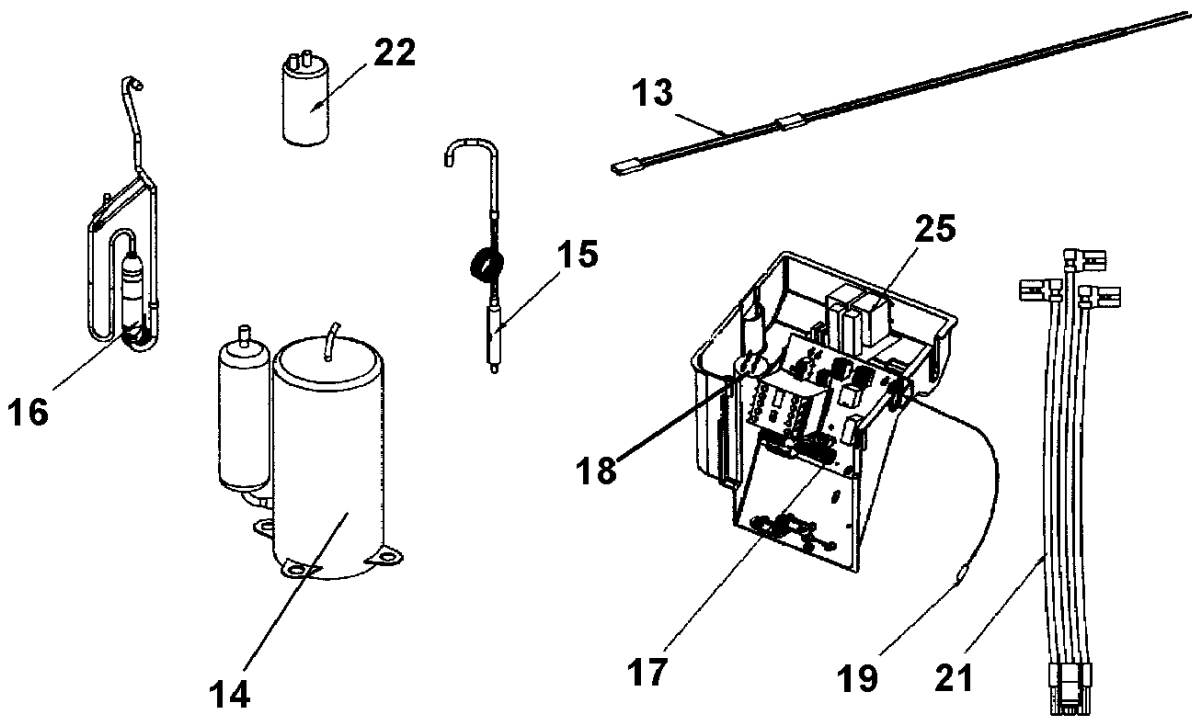
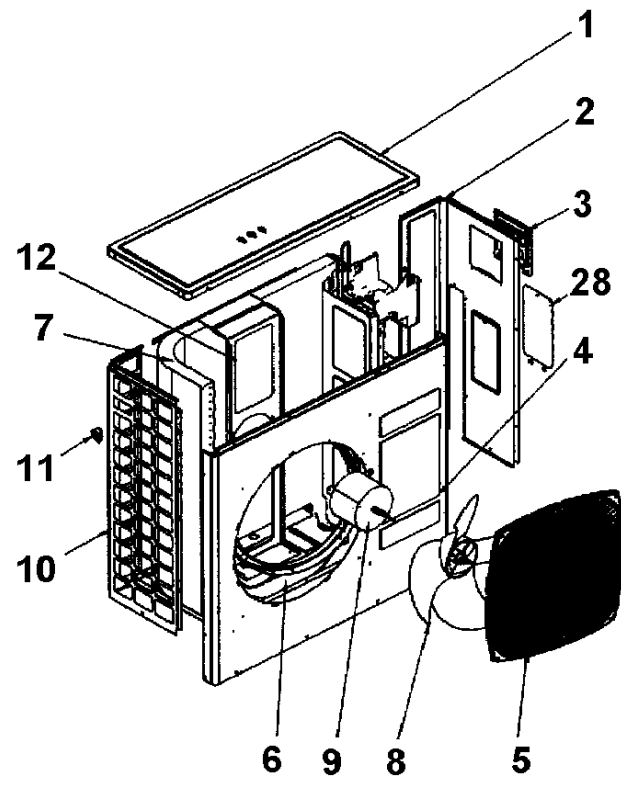
Internal number : 4382

Version : Cooling only 400/3/50

Spare parts list used

Loc	Spare parts code	Replaced by	Qty	Description	Observation
6	433705		1	Bottom assy	
18	442007		1	Capacitor 6uF/400V	
15	433845		1	Capillary assembly	
13	190443		1	Casing resistor Mitsubishi	
14	433753		1	Compressor Mitsubishi NH NN27YDAMT tri	
21	437278		1	Compressor wiring Mitsubishi	
7	433846		1	Condenser	
22	402283		1	Cylinder liquid storage 3,5 l	
3	436357		1	Electrical box panel	
17	402494		1	Electronic card Typhoon 3C	
9	434062		1	Fan motor 86W	
12	439342		1	Fan motor support	
4	439329		1	Front panel	
45	433847		1	Gas valve assy	
5	437091		1	Grill square (rounded)	
11	436358	371054	1	Handle	
10	433281		1	LH panel	
25	439795		1	Phases protection relay	
19	434716		1	Probe lg 1050mm (coil)	
8	4529604		1	Propeller D493*143	
2	433280		1	RH panel	
1	437045		1	Top panel	
16	433817		1	Tubing assembly	

GCN 30



Brand :Airwell Model : GCN 30 N / R410

Product Number : 7SP061601

Internal number : 4385

Version : Cooling only 230/1/50

Spare parts list used

Loc	Spare parts code	Replaced by	Qty	Description	Observation
6	433705		1	Bottom assy	
20	442016		1	Capacitor 55uF/400V	
18	442007		1	Capacitor 6uF/400V	
15	433830		1	Capillary assy	
13	190443		1	Casing resistor Mitsubishi	
38	433607		1	Chock for soft starter	
14	433297		1	Compressor Mitsubishi NH NN33VAAMT	
39	433296		1	Compressor started electronic card (Soft Start)	
21	437292		1	Compressor wiring Mitsubishi	
7	433834		1	Condenser	
22	402284		1	Cylinder liquid storage 5"x3/4	
3	436357		1	Electrical box panel	
17	402495	473279	1	Electronic card Typhoon 5B	
9	434062		1	Fan motor 86W	
4	439929		1	Front panel	
5	437091		1	Grill square (rounded)	
11	436358	371054	1	Handle	
28	439656		1	Inspection panel	
12	439775		1	Motor support	
19	434716		1	Probe lg 1050mm (coil)	
8	4529604		1	Propeller D493*143	
10	403996	402929	1	Rear panel	
2	402930		1	RH panel	
41	442022		1	Starter capacitor compr.161-193uF/275V P1	
1	437045		1	Top panel	

Brand :Airwell Model : GCN 30 NT / R410

Product Number : 7SP061602

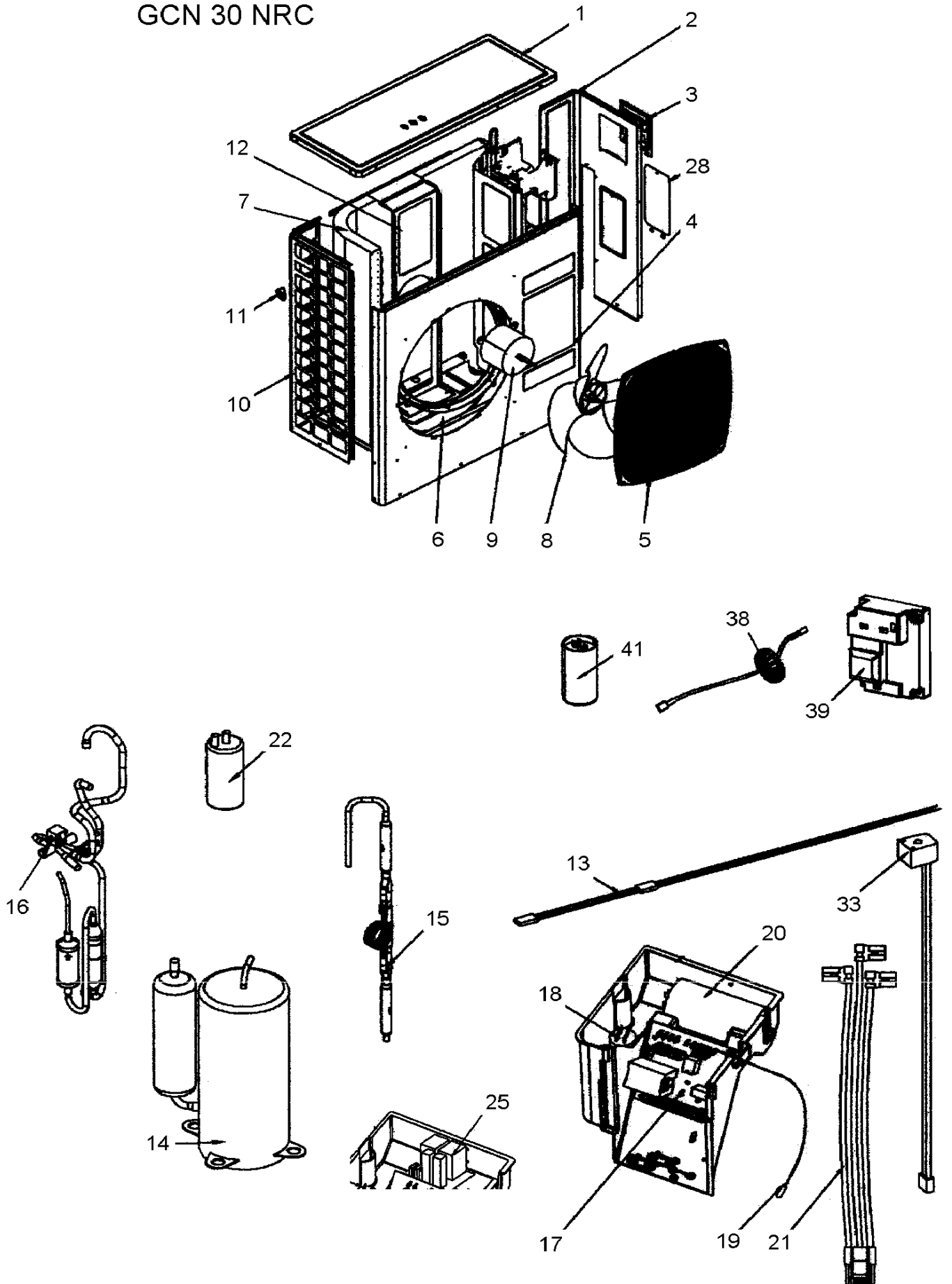
Internal number : 4334

Version : Cooling only 230/1/50

Spare parts list used

Loc	Spare parts code	Replaced by	Qty	Description	Observation
6	433705		1	Bottom assy	
18	442007		1	Capacitor 6uF/400V	
15	433830		1	Capillary assy	
13	190443		1	Casing resistor Mitsubishi	
14	433298		1	Compressor NN33YCAMT	
21	437278		1	Compressor wiring Mitsubishi	
7	433834		1	Condenser	
22	402284		1	Cylinder liquid storage 5"x3/4	
3	436357		1	Electrical box panel	
17	402494		1	Electronic card Typhoon 3C	
9	434062		1	Fan motor 86W	
4	439929		1	Front panel	
5	437091		1	Grill square (rounded)	
11	436358	371054	1	Handle	
28	439656		1	Inspection panel	
12	439775		1	Motor support	
25	439795		1	Phases protection relay	
19	434716		1	Probe lg 1050mm (coil)	
8	4529604		1	Propeller D493*143	
10	403996	402929	1	Rear panel	
2	402930		1	RH panel	
1	437045		1	Top panel	

GCN 30 NRC



Brand :Airwell Model : GCN 30 NRC / R410

Product Number : 7SP061604

Internal number : 4172

Version : Heat pump 230/1/50

Spare parts list used

Loc	Spare parts code	Replaced by	Qty	Description	Observation
6	433294		1	Bottom assy	
20	442016		1	Capacitor 55uF/400V	
18	442007		1	Capacitor 6uF/400V	
15	433822		1	Capillary assembly	
13	190443		1	Casing resistor Mitsubishi	
38	433607		1	Chock for soft starter	
33	442466		1	Coil reversing valve	
14	433297		1	Compressor Mitsubishi NH NN33VAAMT	
21	437292		1	Compressor wiring Mitsubishi	
7	433807		1	Condenser	
22	402284		1	Cylinder liquid storage 5"x3/4	
3	372265	436357	1	Electrical box panel	
39	234259	438773	1	Electronic card Soft Start	
17	402495	473279	1	Electronic card Typhoon 5B	
9	434062		1	Fan motor 86W	
4	439929		1	Front panel	
5	437091		1	Grill square (rounded)	
11	371054		1	Handle plastic	
28	439656		1	Inspection panel	
12	439775		1	Motor support	
19	434716		1	Probe lg 1050mm (coil)	
8	4529604		1	Propeller D493*143	
10	402929		1	Rear panel	
.	442520		1	Reversing valve coil (DUNAN)	For tubing ass'y 433974
16	433829	433974+442520(bob	1	Reversing valve+tubing	
2	402930		1	RH panel	
41	442022		1	Starter capacitor compr.161-193uF/275V P1	
1	437045		1	Top panel	

Brand :Airwell Model : GCN 30 NRCT / R410

Product Number : 7SP061605

Internal number : 4173

Version : Heat pump 400/3/50

Spare parts list used

Loc	Spare parts code	Replaced by	Qty	Description	Observation
6	433294		1	Bottom assy	
18	442007		1	Capacitor 6uF/400V	
15	433822		1	Capillary assembly	
13	190443		1	Casing resistor Mitsubishi	
33	442466		1	Coil reversing valve	
14	433298		1	Compressor NN33YCAMT	
21	437278		1	Compressor wiring Mitsubishi	
7	433807		1	Condenser	
22	402284		1	Cylinder liquid storage 5"x3/4	
3	372265	436357	1	Electrical box panel	
17	402494		1	Electronic card Typhoon 3C	
9	434062		1	Fan motor 86W	
4	439929		1	Front panel	
5	437091		1	Grill square (rounded)	
11	371054		1	Handle plastic	
28	439656		1	Inspection panel	
12	439775		1	Motor support	
25	439795		1	Phases protection relay	
19	434716		1	Probe lg 1050mm (coil)	
8	4529604		1	Propeller D493*143	
10	402929		1	Rear panel	
16	433829	433974+442520(bob	1	Reversing valve+tubing	
2	402930		1	RH panel	
1	437045		1	Top panel	