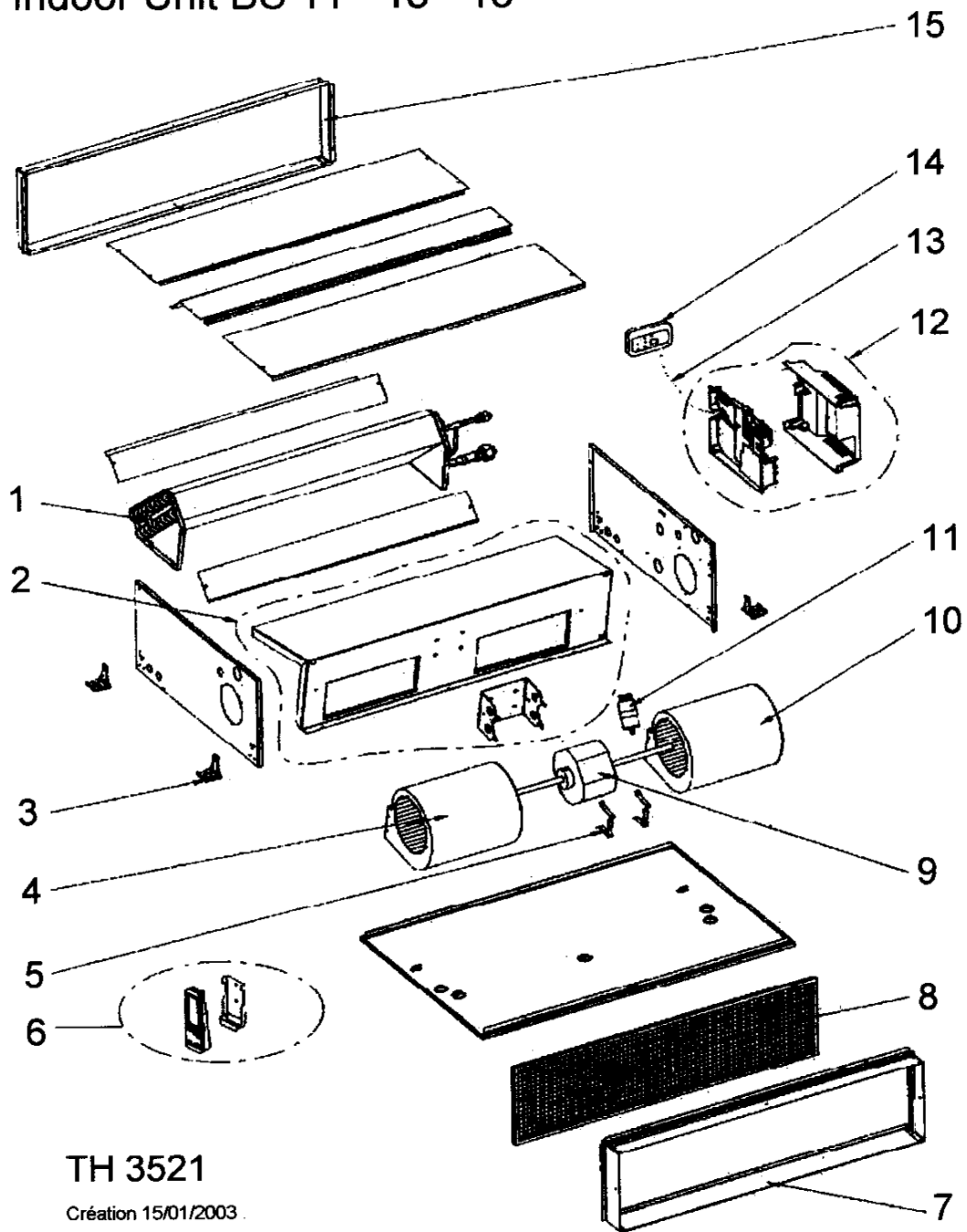


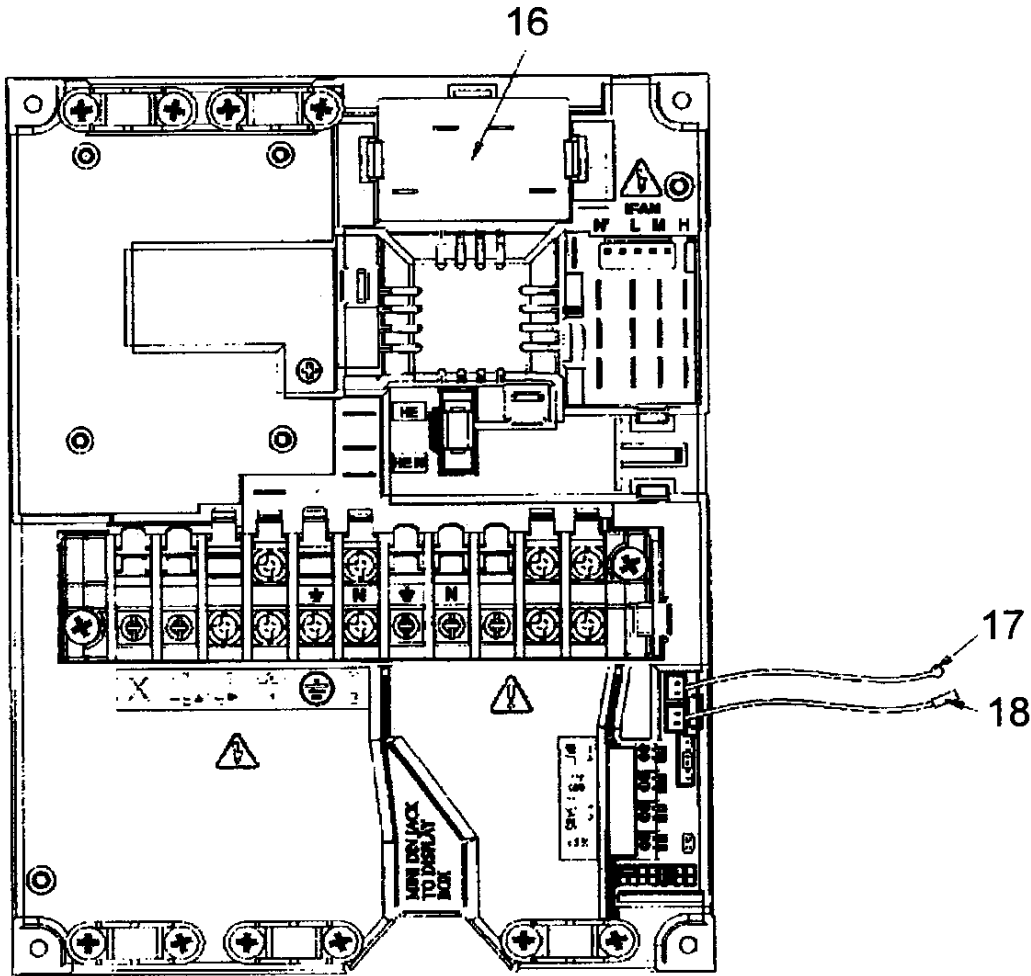
# Indoor Unit BS 11 - 15 - 18



TH 3521

Création 15/01/2003

Indoor Unit BS 11 - 15 - 18 - 24 - 30 - 30E



TH 3523

Création 15/01/2003

**Brand :Airwell Model : BS 11**

Product Number : 7SP022128

Internal number : 2948

Version : Cool/Heat pump 230/1/50

**Spare parts list used**

Loc	Spare parts code	Replaced by	Qty	Description	Observation
8	403546		1	Air filter	
17	232283		1	Air recovery probe length 1,40m	
3	433316		4	Attachment	
18	232299		1	Battery probe length 1,40m (black)	
13	402730		1	Cable 8 wires/7m with connectors	
11	442256		1	Capacitor 4uF/400V screw	
15	403877		1	Discharge frame	
14	234163		1	Display box	
12	402910		1	Electronic card Storm 2 with relay 30A	
1	403835		1	Evaporator	
9	403794		1	Fan motor 73W	
2	SP000000094		1	Fan plate	
6	234134		1	Infrared Remote control (RC3)	
5	407038		2	Motor bracket	
7	403879		1	Recovery frame	
16	230147		1	Relay Omron G7L1A TUBJ	
4	403439		1	Turbine/scroll assembly left	
10	403438		1	Turbine/scroll assembly right	

**Brand :Airwell Model : BS 15**

Product Number : 7SP022129

Internal number : 2949

Version : Cool/Heat pump 230/1/50

**Spare parts list used**

Loc	Spare parts code	Replaced by	Qty	Description	Observation
8	403546		1	Air filter	
17	232283		1	Air recovery probe length 1,40m	
3	433316		4	Attachment	
18	232299		1	Battery probe length 1,40m (black)	
13	402730		1	Cable 8 wires/7m with connectors	
11	442256		1	Capacitor 4uF/400V screw	
15	403877		1	Discharge frame	
14	234163		1	Display box	
12	402910		1	Electronic card Storm 2 with relay 30A	
1	403836		1	Evaporator	
9	403792		1	Fan motor 56W	
2	SP000000094		1	Fan plate	
6	234134		1	Infrared Remote control (RC3)	
5	407038		2	Motor bracket	
7	403879		1	Recovery frame	
16	230147		1	Relay Omron G7L1A TUBJ	
4	403439		1	Turbine/scroll assembly left	
10	403438		1	Turbine/scroll assembly right	

**Brand :Airwell Model : BS 18**

Product Number : 7SP022130

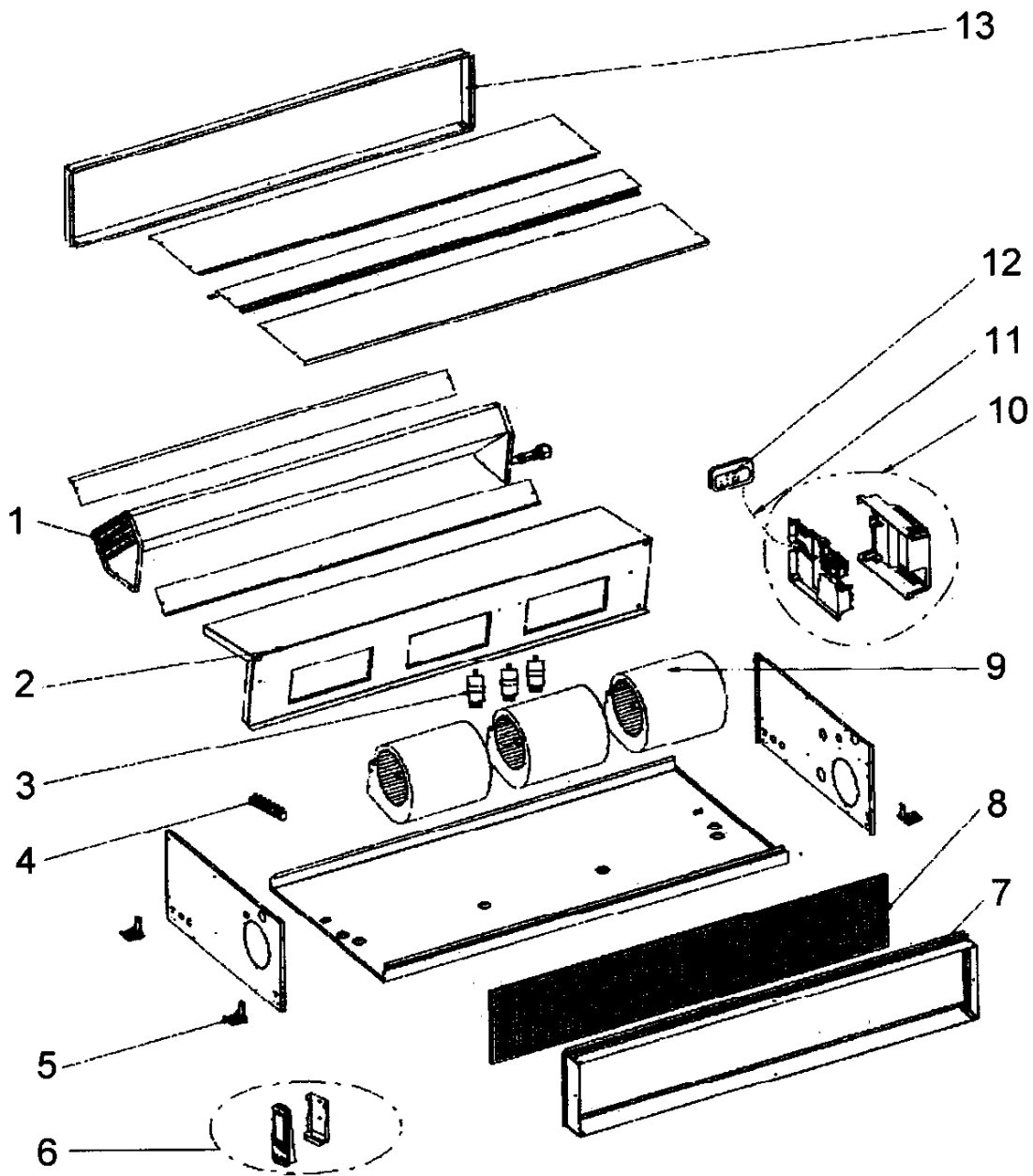
Internal number : 2950

Version : Cool/Heat pump 230/1/50

**Spare parts list used**

Loc	Spare parts code	Replaced by	Qty	Description	Observation
8	403546		1	Air filter	
17	232283		1	Air recovery probe length 1,40m	
3	433316		4	Attachment	
18	232299		1	Battery probe length 1,40m (black)	
13	402730		1	Cable 8 wires/7m with connectors	
11	442256		1	Capacitor 4uF/400V screw	
15	403877		1	Discharge frame	
14	234163		1	Display box	
12	402910		1	Electronic card Storm 2 with relay 30A	
1	403837		1	Evaporator	
9	403792		1	Fan motor 56W	
2	SP000000094		1	Fan plate	
6	234134		1	Infrared Remote control (RC3)	
5	407038		2	Motor bracket	
7	403879		1	Recovery frame	
16	230147		1	Relay Omron G7L1A TUBJ	
4	403439		1	Turbine/scroll assembly left	
10	403438		1	Turbine/scroll assembly right	

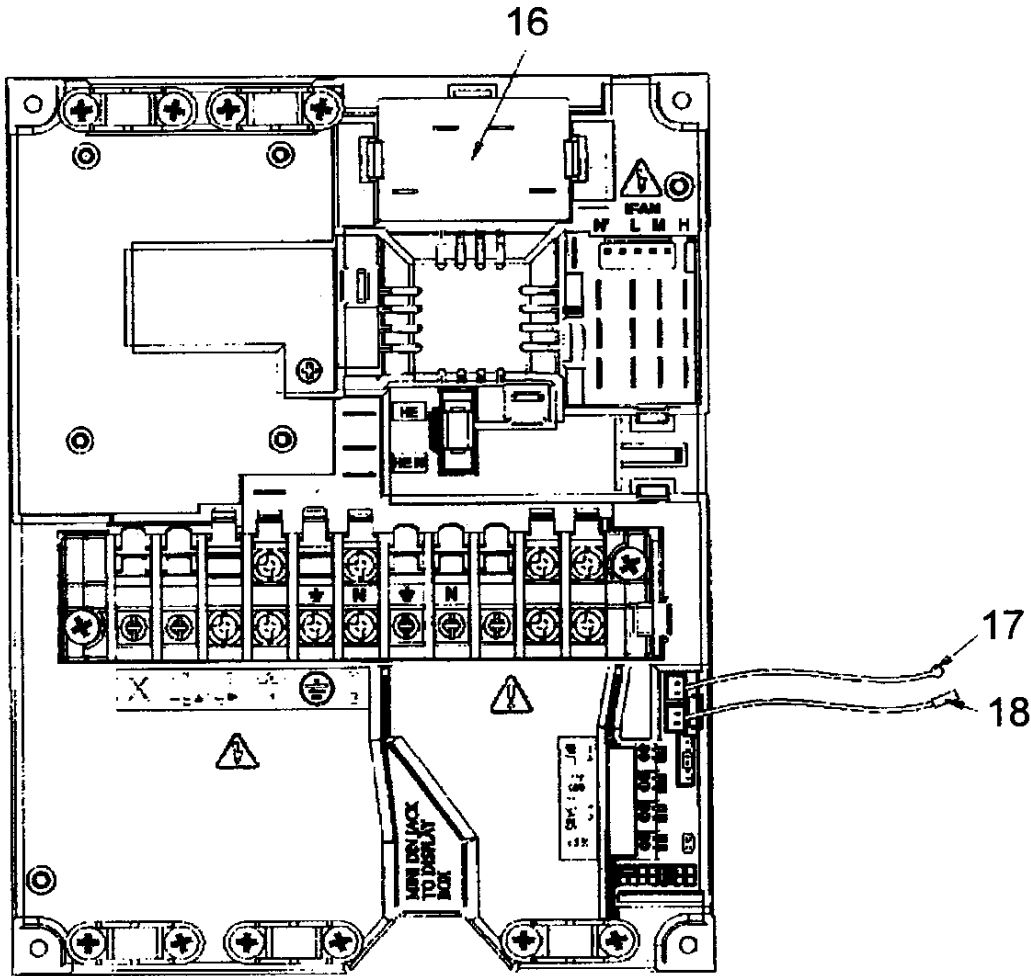
# Indoor Unit BS 24 - 30



TH 3522

Création 15/01/2003

Indoor Unit BS 11 - 15 - 18 - 24 - 30 - 30E



TH 3523

Création 15/01/2003

**Brand :Airwell Model : BS 24**

Product Number : 7SP022131

Internal number : 2951

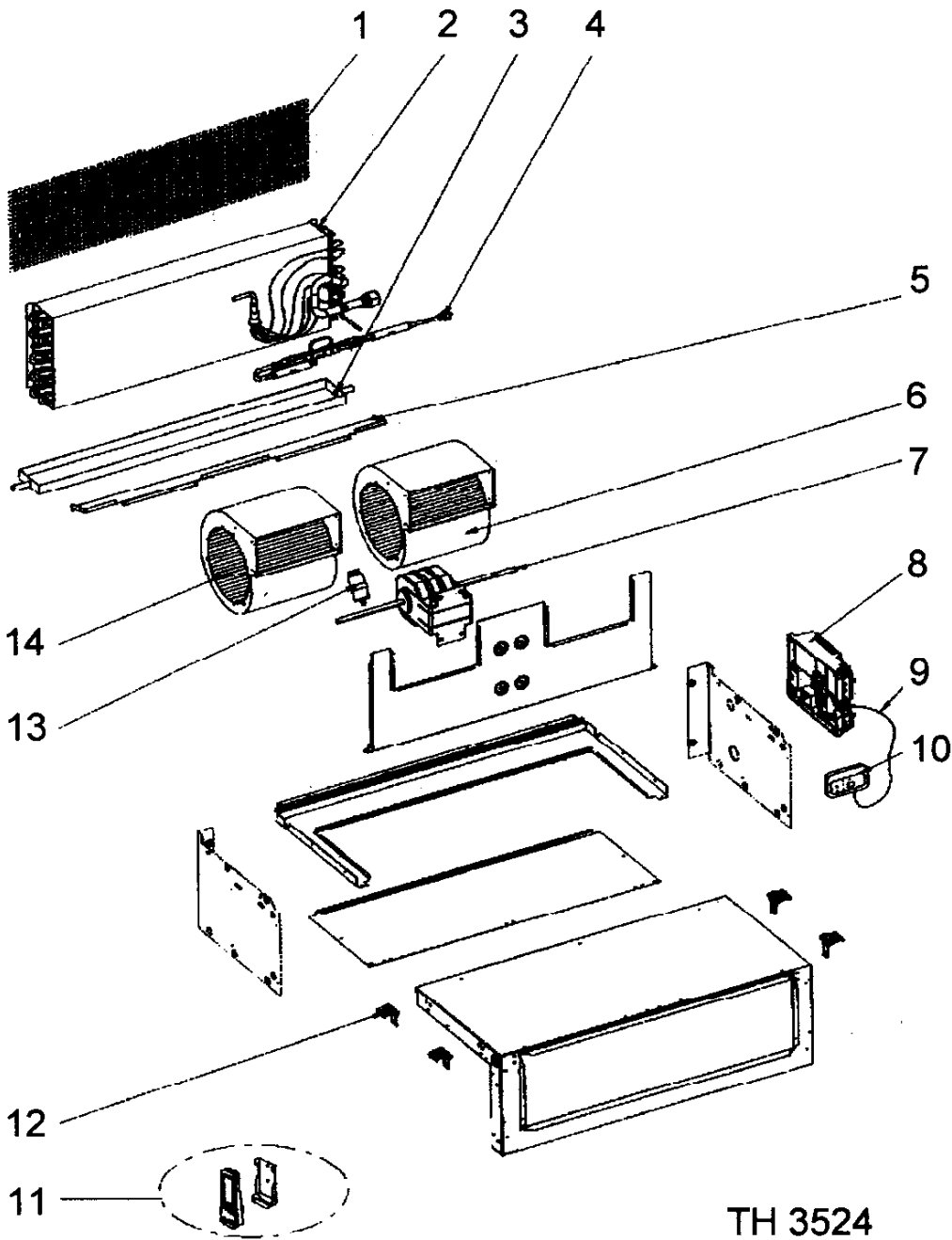
Version : Cool/Heat pump 230/1/50

**Spare parts list used**

Loc	Spare parts code	Replaced by	Qty	Description	Observation
8	403547		1	Air filter	
17	232283		1	Air recovery probe length 1,40m	
5	433316		4	Attachment	
18	232299		1	Battery probe length 1,40m (black)	
11	402730		1	Cable 8 wires/7m with connectors	
3	442377		3	Capacitor 2uF	
13	403878		1	Discharge frame	
12	234163		1	Display box	
10	402910		1	Electronic card Storm 2 with relay 30A	
1	403854		1	Evaporator	
9	403675		3	Fan motor unit	
2	SP000000107		1	Fan plate	
.	291230		1	Heating element 4000W bare wires	
6	234134		1	Infrared Remote control (RC3)	
.	243193		1	Plug ELDRH (cooling only+EH)	
.	243194		1	Plug ELDSH (heat pump+EH) or 435727	
7	403880		1	Recovery frame	
.	230182		1	Relay Finder 16A 250V type 65.23	
16	230147		1	Relay Omron G7L1A TUBJ	
4	403478		1	Resistor 68W/56 ohms	
.	232248		1	Safety thermostat auto Ranco LO7P1027	
.	232244		1	Safety thermostat manual	
.	232180		1	Thermostat Sopac TUA 4C 013	



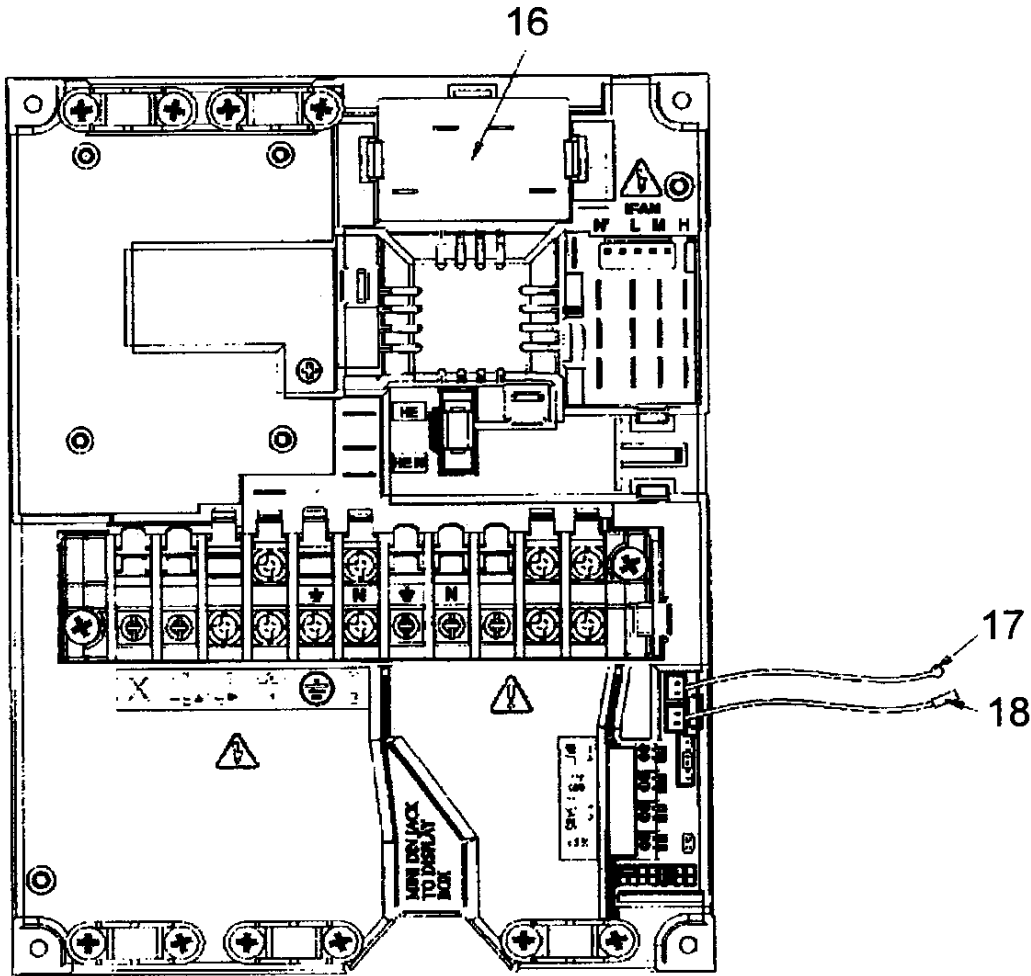
Indoor Unit BS 30E - 36 - 43



TH 3524

Création 15/01/2003

Indoor Unit BS 11 - 15 - 18 - 24 - 30 - 30E



TH 3523

Création 15/01/2003

**Brand :Airwell Model : BS 30**

Product Number : 7SP022132

Internal number : 2952

Version : Cool/Heat pump 230/1/50

**Spare parts list used**

Loc	Spare parts code	Replaced by	Qty	Description	Observation
8	403547		1	Air filter	
17	232283		1	Air recovery probe length 1,40m	
5	433316		4	Attachment	
18	232299		1	Battery probe length 1,40m (black)	
11	402730		1	Cable 8 wires/7m with connectors	
3	442256		3	Capacitor 4uF/400V screw	
13	403878		1	Discharge frame	
12	234163		1	Display box	
10	402911		1	Electronic card Storm 2 without relay	
1	403972		1	Evaporator	
9	403612		3	Fan motor unit	
2	SP000000107		1	Fan plate	
.	291230		1	Heating element 4000W bare wires	
6	234134		1	Infrared Remote control (RC3)	
.	243193		1	Plug ELDRH (cooling only+EH)	
.	243194		1	Plug ELDSH (heat pump+EH) or 435727	
7	403880		1	Recovery frame	
.	230182		1	Relay Finder 16A 250V type 65.23	
4	403469		1	Resistor 80W/30 ohms	
.	232248		1	Safety thermostat auto Ranco LO7P1027	
.	232244		1	Safety thermostat manual	
.	232180		1	Thermostat Sopac TUA 4C 013	

**Brand :Airwell Model : BS 30E**

Product Number : 7SP022134

Internal number : 2953

Version : Cool/Heat pump 230/1/50

**Spare parts list used**

Loc	Spare parts code	Replaced by	Qty	Description	Observation
1	402601		2	Air filter	
17	232283		1	Air recovery probe length 1,40m	
12	433316		4	Attachment	
18	232299		1	Battery probe length 1,40m (black)	
9	402730		1	Cable 8 wires/7m with connectors	
13	442264		1	Capacitor 10uF/400V	
3	SP000000108		1	Condensate tray	
10	234163		1	Display box	
5	403888		1	Drain	
8	402911		1	Electronic card Storm 2 without relay	
2	403933		1	Evaporator	
7	402938		1	Fan motor 178W	
11	234134		1	Infrared Remote control (RC3)	
6	SP000000109		1	Turbine/scroll assembly left	
14	SP000000110		1	Turbine/scroll assembly right	

**Brand :Airwell Model : BS 36**

Product Number : 7SP022135

Internal number : 2954

Version : Cool/Heat pump 230/1/50

**Spare parts list used**

Loc	Spare parts code	Replaced by	Qty	Description	Observation
1	402601		2	Air filter	
17	232283		1	Air recovery probe length 1,40m	
12	433316		4	Attachment	
18	232299		1	Battery probe length 1,40m (black)	
9	402730		1	Cable 8 wires/7m with connectors	
13	442264		1	Capacitor 10uF/400V	
4	403939		1	Capillary assembly	
3	SP000000108		1	Condensate tray	
10	234163		1	Display box	
5	403888		1	Drain	
8	402911		1	Electronic card Storm 2 without relay	
2	403938		1	Evaporator	
7	402938		1	Fan motor 178W	
11	234134		1	Infrared Remote control (RC3)	
6	SP000000109		1	Turbine/scroll assembly left	
14	SP000000110		1	Turbine/scroll assembly right	

**Brand :Airwell Model : BS 43**

Product Number : 7SP022136

Internal number : 2955

Version : Cool/Heat pump 230/1/50

**Spare parts list used**

Loc	Spare parts code	Replaced by	Qty	Description	Observation
1	402891		2	Air filter	
17	232283		1	Air recovery probe length 1,40m	
12	433316		4	Attachment	
18	232299		1	Battery probe length 1,40m (black)	
9	402730		1	Cable 8 wires/7m with connectors	
13	442341		1	Capacitor 15uF/400V	
4	403911		1	Capillary assembly	
3	SP000000103		1	Condensate tray	
10	234163		1	Display box	
5	403889		1	Drain	
8	402911		1	Electronic card Storm 2 without relay	
2	403912		1	Evaporator	
7	402627		1	Fan motor 290W	
11	234134		1	Infrared Remote control (RC3)	
.	SP000000239		1	Inspection panel insulated	
6	SP000000104		1	Turbine/scroll assembly left	
14	SP000000106		1	Turbine/scroll assembly right	