

Airwell

Service Manual

YIF series

Indoor Units			Outdoor Units
<i>DAF009</i>			<i>YIF009</i>
<i>DAF012</i>	<i>FAF012</i>	<i>CAF012</i>	<i>YIF012</i>
<i>DAF018</i>	<i>FAF018</i>	<i>CAF018</i>	<i>YIF018</i>
<i>DAF024</i>	<i>FAF024</i>	<i>CAF024</i>	<i>YIF024</i>
<i>DAF030</i>	<i>FAF030</i>	<i>CAF030</i>	<i>YIF030</i>
<i>DAF036</i>	<i>FAF036</i>	<i>CAF036</i>	<i>YIF036</i>
<i>DAF042</i>	<i>FAF042</i>	<i>CAF042</i>	<i>YIF036T</i>
<i>DAF060</i>			<i>YIF042T</i>
			<i>YIF060T</i>



REFRIGERANT

R410A

HEAT PUMP

SM YIFSER 3-A.1 GB

JUN - 2012

Version:3

LIST OF EFFECTIVE PAGES

Note: Changes in the pages are indicated by a “Revision#” in the footer of each effected page (when none indicates no changes in the relevant page). All pages in the following list represent effected/ non effected pages divided by chapters.

Dates of issue for original and changed pages are:

Total number of pages in this publication is **175** consisting of the following:

Page No.	Revision No. #	Page No.	Revision No. #	Page No.	Revision No. #
Title.....	1				
A	1				
i.....	1				
1-1 -1-4.....	1				
2-1 - 2-23.....	2				
3-1.....	1				
4-1 - 4-4.....	1				
5-1-5-19.....	1				
6-1 -6-4.....	1				
7-1 -7-13.....	2				
8-1-8-2.....	1				
9-1- 9-12.....	1				
10-1-10-1.....	1				
11-1.....	3				
12-1 -12-6.....	1				
13-1 - 13-3.....	1				
14-1- 14-53.....	3				

* Zero in this column indicates an original page.

Table of Contents

1.	INTRODUCTION	1-1
2.	PRODUCT DATA SHEET.....	2-1
3.	RATING CONDITIONS	3-1
4.	OUTLINE DIMENSION	4-1
5.	PERFORMANCE DATA	5-1
6.	AIRFLOW CURVES.....	6-1
7.	SOUND LEVEL CHARACTERISTICS	7-1
8.	ELECTRICAL DATA.....	8-1
9.	WIRING DIAGRAM.....	9-1
10.	REFRIGERATION DIAGRAMS	10-1
11.	TUBING CONNECTIONS	11-1
12.	CONTROL SYSTEM.....	12-1
13.	TROUBLESHOOTING.....	13-1
14.	EXPLODED VIEW & SPARE PART LIST	14-1
15.	APPEDDIX	15-1

1. INTRODUCTION

1.1 General

The YIF series range comprises RC (heat pump) models. The whole range covers nominal cooling capacity from 9kBtu/h to 60kBtu/h which matching following indoors, as follows:

IDU:

Ducted(8 Models): DAF009 DAF012 DAF018 DAF024 DAF030 DAF036 DAF042
DAF060

Floor/Ceiling(4 Models): FAF012 FAF018 FAF024 FAF030 FAF036 FAF042

Cassette(6 Models): CAF012 CAF018 CAF024 CAF030 CAF036 CAF042

ODU:

1 Ph(6 Models): YIF009 YIF012 YIF018 YIF024 YIF030 YIF036

3 Ph(3 Models): YIF036 YIF042 YIF060

1.2 Main Features

The YIF series benefits from the most advanced technological innovations, namely:

- Auto mode
- Cooling/Heating/Dehumidification
- Sleep mode (from remote control)
- ON/OFF Timer
- Auto swing
- 4-dimension swing (Cassette only)
- Energy saving
- Intelligent Deicing
- Memory from power failure
- Cold air prevention in heating
- Self diagnostic (Error indications) for ease of maintenance

1.3 Indoor Unit

The indoor unit is calling mounted, and can be easily fitted to many types of residential and commercials applications. It is major designed for light commercial air-conditioning needs.

It includes:

- Coil with hydrophilic aluminum fins.
- Advanced electronic control box assembly
- Mounting plate

1.4 Filtration

The YIF series presents several types of air filters:

- Easily accessible, and re-usable pre-filters (mesh)

1.5 Control

The microprocessor indoor controller, and an infrared remote control, supplied as standard, provide complete operating function and programming. For further details, please refer to the Operation Manual, Appendix.

1.6 Outdoor Unit

The outdoor units can be installed as floor or wall mounted units by using a wall supporting bracket. The metal sheets are protected by anti- corrosion paint work allowing long life resistance. For further information, please refer to the Product Data Sheet, Chapter 2.

It includes :

- Compressor mounted in a soundproofed compartment :
- Axial fan.
- Outdoor coil with hydrophilic louver fins for RC units.
- Outlet air fan grill.
- Interconnecting wiring terminal block.

1.7 Tubing Connections

Flare type interconnecting tubing to be produced on site.
For further details, please refer to the Installation Manual, Chapter 10.

1.8 Accessories

RCW Wall Mounted Remote Control

The RCW remote control is mounted on the wall, and controls the unit either as an infrared remote control or as a wired controller.

The wired remote control with larger LCD display provides the following functions

- Interconnecting wiring terminal block.
- On/OFF unit
- Choose the operating mode (Heating-Cooling-Dehumidification-Fan or Automatic mode),
- Increase or decrease the setting temperature.
- Adjust the fan speeds (Auto/High/Medium/Low)
- Setting ON-OFF timer within 0.5hr-24hrs
- Air exchange (Fresh air) settings
- Sleep mode saves energy by preventing overcooling or overheating during night time
- Energy saving function
- Technician functions
 - Display of Outdoor Ambient Temperature
 - Power-fail Memory Function Setting
 - Setting of Ambient Temp. Sensor
 - Setting of Fan Speed
 - Failure Display

For further details, please refer to the Technical Service Manual.

1.9 Inbox Documentation

Each unit is supplied with its own installation, operation and remote control manuals.

1.10 Matching Table

OUTDOOR UNITS	INDOOR UNITS							
	DAF009	DAF012	DAF018	DAF024	DAF030	DAF036	DAF042	DAF060
		CAF012 FAF012	CAF018 FAF018	CAF024 FAF024	CAF030 FAF030	CAF036 FAF036	CAF042 FAF042	
YIF009	✓							
YIF012		✓						
YIF018			✓					
YIF024				✓				
YIF030					✓			
YIF036						✓		
YIF036T						✓		
YIF042T							✓	
YIF060T								✓

2. PRODUCT DATA SHEET

2.1 DAF009 / YIF009

R410A

PRELIMINARY PRODUCT DATA SHEET

Model Indoor Unit		DAF009		
Model Outdoor Unit		YIF009		
Installation Method of Pipe		ducted		
Characteristics	Units	Cooling	Heating	
Capacity (4)	Btu/hr	8870	9720	
	kW	2.6	2.85	
Power input (4)	kW	1.00	0.97	
EER (Cooling) or COP(Heating) (4)	W/W	2.6	2.93	
Energy efficiency class				
Power supply	V/Ph/Hz	220-240V/Single/50Hz		
Rated current	A	4.5	4.3	
Starting current	A			
Circuit breaker rating (IDU/ODU)	A	6/10		
INDOOR	Fan type & quantity		Centrifugal x 2	
	Fan speeds	H/M/L	RPM	830/640/550
	Air flow (1)	H/M/L	m3/hr	550/470/400
	External static pressure	Min-Max	Pa	25(0~25)
	Sound power level (2)	H/M/L	dB(A)	47/46/44
	Sound pressure level(3)	H/M/L	dB(A)	37/36/34
	Moisture removal		l/hr	1
	Condensate drain tube I.D		mm	20
	Dimensions	WxHxD	mm	913x220x680
	Weight		kg	27
	Package dimensions	WxHxD	mm	995x258x750
	Packaged weight		kg	32
	Units per pallet		units	
	Stacking height		units	
OUTDOOR	Refrigerant control		Capillary	
	Compressor type, model		Rotary	
	Fan type & quantity		Propeller(direct) x 1	
	Fan speeds	H/L	RPM	850
	Air flow	H/L	m3/hr	2800
	Sound power level	H/L	dB(A)	65
	Sound pressure level(3)	H/L	dB(A)	55
	Dimensions	WxHxD	mm	848x540x320
	Weight		kg	32
	Package dimensions	WxHxD	mm	878x590x360
	Packaged weight		kg	37
	Units per pallet		Units	
	Stacking height		units	
	Refrigerant type			R410A
	Refrigerant chargeless distance		kg/m	1.1/5
	Additional charge per 1 meter		g/m	30g/m
	Connections between units	Liquid line	In.(mm)	1/4"(6.35)
Suction line		In.(mm)	3/8"(9.53)	
Max.tubing length		m.	Max.20	
Max.height		m.	Max.15	
Operation control type			Remote control	
Heating elements (Option)		kW		
Others				

- (1)Airflow in ducted units: at nominal external static pressure.
 (2)Sound power in ducted units is measured at air discharge.
 (3)Sound pressure level measured at 1-meter distance from unit.
 (4)Rating conditions in accordance to ISO 5151 and ISO 13253 (for ducted units).

2.2 DAF012 / YIF012

R410A

PRELIMINARY PRODUCT DATA SHEET

Model Indoor Unit		DAF012	
Model Outdoor Unit		YIF012	
Installation Method of Pipe		ducted	
Characteristics		Units	Cooling
Capacity (4)		Btu/hr	11940
		kW	3.5
Power input (4)		kW	1.2
EER (Cooling) or COP(Heating) (4)		W/W	2.91
Energy efficiency class			
Power supply		V/Ph/Hz	220-240V/Single/50Hz
Rated current		A	5.4
Starting current		A	4.9
Circuit breaker rating (IDU/ODU)		A	6/13
INDOOR	Fan type & quantity		Centrifugal x 2
	Fan speeds	H/M/L	RPM
	Air flow (1)	H/M/L	m3/hr
	External static pressure	Min-Max	Pa
	Sound power level (2)	H/M/L	dB(A)
	Sound pressure level(3)	H/M/L	dB(A)
	Moisture removal		l/hr
	Condensate drain tube I.D		mm
	Dimensions	WxHxD	mm
	Weight		kg
	Package dimensions	WxHxD	mm
	Packaged weight		kg
	Units per pallet		units
	Stacking height		units
OUTDOOR	Refrigerant control		Capillary
	Compressor type, model		Rotary
	Fan type & quantity		Propeller(direct) x 1
	Fan speeds	H/L	RPM
	Air flow	H/L	m3/hr
	Sound power level	H/L	dB(A)
	Sound pressure level(3)	H/L	dB(A)
	Dimensions	WxHxD	mm
	Weight		kg
	Package dimensions	WxHxD	mm
	Packaged weight		kg
	Units per pallet		Units
	Stacking height		units
	Refrigerant type		R410A
	Refrigerant chargeless distance		kg/m
	Additional charge per 1 meter		g/m
	Connections between units	Liquid line	In.(mm)
Suction line		In.(mm)	
Max.tubing length		m.	
Max.height difference		m.	
Operation control type		Remote control	
Heating elements (Option)		kW	
Others			

- (1)Airflow in ducted units; at nominal external static pressure.
- (2)Sound power in ducted units is measured at air discharge.
- (3)Sound pressure level measured at 1-meter distance from unit.
- (4)Rating conditions in accordance to ISO 5151 and ISO 13253 (for ducted units).

2.3 DAF018 / YIF018

R410A

PRELIMINARY PRODUCT DATA SHEET

Model Indoor Unit			DAF018
Model Outdoor Unit			YIF018
Installation Method of Pipe			ducted
Characteristics	Units	Cooling	Heating
Capacity (4)	Btu/hr	17060	19450
	kW	5.0	5.7
Power input (4)	kW	2.1	1.8
EER (Cooling) or COP(Heating) (4)	W/W	2.38	3.16
Energy efficiency class			
Power supply	V/Ph/Hz	220-240V/Single/50Hz	
Rated current	A	9.4	8.1
Starting current	A		
Circuit breaker rating (IDU/ODU)	A	6/20	
INDOOR	Fan type & quantity		Centrifugal x 2
	Fan speeds	H/M/L	RPM 1000/920/780
	Air flow (1)	H/M/L	m3/hr 840/750/680
	External static pressure	Min-Max	Pa 25(0~25)
	Sound power level (2)	H/M/L	dB(A) 52/50/48
	Sound pressure level(3)	H/M/L	dB(A) 42/40/38
	Moisture removal		l/hr 1.9
	Condensate drain tube I.D		mm 30
	Dimensions	WxHxD	mm 1012x266x736
	Weight		kg 36
	Package dimensions	WxHxD	mm 1120x308x795
	Packaged weight		kg 39
	Units per pallet		units
	Stacking height		units
OUTDOOR	Refrigerant control		Capillary
	Compressor type, model		Rotary
	Fan type & quantity		Propeller(direct) x 1
	Fan speeds	H/L	RPM 900
	Air flow	H/L	m3/hr 2800
	Sound power level	H/L	dB(A) 66
	Sound pressure level(3)	H/L	dB(A) 56
	Dimensions	WxHxD	mm 848x540x320
	Weight		kg 40
	Package dimensions	WxHxD	mm 878x590x360
	Packaged weight		kg 45
	Units per pallet		Units
	Stacking height		units
	Refrigerant type		R410A
	Refrigerant chargeless distance		kg/m 1.5/5
	Additional charge per 1 meter		g/m 30g/m
	Connections between units	Liquid line	ln.(mm)
Suction line		ln.(mm)	1/2"(12.7)
Max.tubing length		m.	Max.20
Max.height difference		m.	Max.15
Operation control type			Remote control
Heating elements (Option)		kW	
Others			

- (1)Airflow in ducted units; at nominal external static pressure.
- (2)Sound power in ducted units is measured at air discharge.
- (3)Sound pressure level measured at 1-meter distance from unit.
- (4)Rating conditions in accordance to ISO 5151 and ISO 13253 (for ducted units).

2.4 DAF024 / YIF024

R410A PRELIMINARY PRODUCT DATA SHEET

Model Indoor Unit		DAF024		
Model Outdoor Unit		YIF024		
Installation Method of Pipe		ducted		
Characteristics	Units	Cooling	Heating	
Capacity (4)	Btu/hr	23880	27300	
	kW	7.0	8.0	
Power input (4)	kW	2.66	2.51	
EER (Cooling) or COP(Heating) (4)	W/W	2.63	3.18	
Energy efficiency class				
Power supply	V/Ph/Hz	220-240V/Single/50Hz		
Rated current	A	11.9	11.3	
Starting current	A			
Circuit breaker rating (IDU/ODU)	A	6/25		
INDOOR	Fan type & quantity		Centrifugal x 2	
	Fan speeds	H/M/L	RPM	1250/1220/1060
	Air flow (1)	H/M/L	m3/hr	1400/1350/1220
	External static pressure	Min-Max	Pa	25(0~80)
	Sound power level (2)	H/M/L	dB(A)	54/52/50
	Sound pressure level(3)	H/M/L	dB(A)	44/42/40
	Moisture removal		l/hr	2.4
	Condensate drain tube I.D		mm	20
	Dimensions	WxHxD	mm	1270x268x504
	Weight		kg	37
	Package dimensions	WxHxD	mm	1345x268x594
	Packaged weight		kg	45
	Units per pallet		units	
	Stacking height		units	
	OUTDOOR	Refrigerant control		Capillary
Compressor type, model		Rotary		
Fan type & quantity		Propeller(direct) x 1		
Fan speeds		H/L	RPM	940
Air flow		H/L	m3/hr	3200
Sound power level		H/L	dB(A)	69
Sound pressure level(3)		H/L	dB(A)	59
Dimensions		WxHxD	mm	1018x700x412
Weight			kg	59
Package dimensions		WxHxD	mm	1100x755x450
Packaged weight			kg	64
Units per pallet			Units	
Stacking height			units	
Refrigerant type				R410A
Refrigerant chargeless distance			kg/m	2.2/5
Additional charge per 1 meter		g/m	60g/m	
Connections between units	Liquid line	In.(mm)	3/8"(9.53)	
	Suction line	In.(mm)	5/8"(15.88)	
	Max.tubing length	m.	Max.30	
	Max.height	m.	Max.15	
Operation control type			Remote control	
Heating elements (Option)		kW		
Others				

- (1)Airflow in ducted units; at nominal external static pressure.
- (2)Sound power in ducted units is measured at air discharge.
- (3)Sound pressure level measured at 1-meter distance from unit.
- (4)Rating conditions in accordance to ISO 5151 and ISO 13253 (for ducted units).

2.5 DAF030 / YIF030

R410A		PRELIMINARY PRODUCT DATA SHEET		
Model Indoor Unit		DAF030		
Model Outdoor Unit		YIF030		
Installation Method of Pipe		ducted		
Characteristics		Units	Cooling	
Capacity (4)		Btu/hr	28320	
		kW	8.3	
Power input (4)		kW	3.00	
EER (Cooling) or COP(Heating) (4)		W/W	2.76	
Energy efficiency class				
Power supply		V/Ph/Hz	220-240V/Single/50Hz	
Rated current		A	13.4	
Starting current		A	13.4	
Circuit breaker rating (IDU/ODU)		A	6/30	
INDOOR	Fan type & quantity		Centrifugal x 2	
	Fan speeds	H/M/L	RPM	
	Air flow (1)	H/M/L	m3/hr	
	External static pressure	Min-Max	Pa	
	Sound power level (2)	H/M/L	dB(A)	
	Sound pressure level(3)	H/M/L	dB(A)	
	Moisture removal		l/hr	2.5
	Condensate drain tube I.D		mm	20
	Dimensions	WxHxD	mm	1270x268x530
	Weight		kg	37
	Package dimensions	WxHxD	mm	1345x283x594
	Packaged weight		kg	43
	Units per pallet		units	
	Stacking height		units	
OUTDOOR	Refrigerant control		Capillary	
	Compressor type, mode		Rotary	
	Fan type & quantity		Propeller(direct) x 1	
	Fan speeds	H/L	RPM	
	Air flow	H/L	m3/hr	
	Sound power level	H/L	dB(A)	
	Sound pressure level(3)	H/L	dB(A)	
	Dimensions	WxHxD	mm	
	Weight		kg	
	Package dimensions	WxHxD	mm	
	Packaged weight		kg	
	Units per pallet		Units	
	Stacking height		units	
	Refrigerant type		R410A	
	Refrigerant chargeless distance		kg/m	
	Additional charge per 1 meter		g/m	
	Connections between units	Liquid line	In.(mm)	
Suction line		In.(mm)		
Max.tubing length		m.		
Max.height		m.		
Operation control type		Remote control		
Heating elements (Option)		kW		
Others				

- (1)Airflow in ducted units: at nominal external static pressure.
- (2)Sound power in ducted units is measured at air discharge.
- (3)Sound pressure level measured at 1-meter distance from unit.
- (4)Rating conditions in accordance to ISO 5151 and ISO 13253 (for ducted units).

2.6 DAF036 / YIF036

R410A

PRELIMINARY PRODUCT DATA SHEET

Model Indoor Unit		DAF036		
Model Outdoor Unit		YIF036		
Installation Method of Pipe		ducted		
Characteristics	Units	Cooling	Heating	
Capacity (4)	Btu/hr	34120	37530	
	kW	10.0	11.0	
Power input (4)	kW	4.00	3.50	
EER (Cooling) or COP(Heating) (4)	W/W	2.50	3.14	
Energy efficiency class				
Power supply	V/Ph/Hz	220-240V/Single/50Hz		
Rated current	A	17.9	15.7	
Starting current	A			
Circuit breaker rating (IDU/ODU)	A	10/40		
INDOOR	Fan type & quantity		Centrifugal x 2	
	Fan speeds	H/M/L	RPM	1320/1090/910
	Air flow (1)	H/M/L	m3/hr	2000/1650/1380
	External static pressure	Min-Max	Pa	37(0~150)
	Sound power level (2)	H/M/L	dB(A)	60/58/56
	Sound pressure level(3)	H/M/L	dB(A)	50/48/46
	Moisture removal		l/hr	2.9
	Condensate drain tube I.D		mm	20
	Dimensions	WxHxD	mm	1251x290x744
	Weight		kg	57
	Package dimensions	WxHxD	mm	1335x290x834
	Packaged weight		kg	67
	Units per pallet		units	
	Stacking height		units	
	OUTDOOR	Refrigerant control		Capillary
Compressor type, model		Scroll		
Fan type & quantity		Propeller(direct) x 1		
Fan speeds		H/L	RPM	900
Air flow		H/L	m3/hr	4000
Sound power level		H/L	dB(A)	70
Sound pressure level(3)		H/L	dB(A)	60
Dimensions		WxHxD	mm	1018x840x412
Weight			kg	90
Package dimensions		WxHxD	mm	1110x985x450
Packaged weight			kg	100
Units per pallet			Units	
Stacking height			units	
Refrigerant type		R410A		
Refrigerant chargeless distance		kg/m	3.2/5	
Additional charge per 1 meter		g/m	120g/m	
Connections between units	Liquid line	In.(mm)	1/2"(12.7)	
	Suction line	In.(mm)	3/4"(19.05)	
	Max.tubing length	m.	Max.50	
	Max.height difference	m.	Max.30	
Operation control type		Remote control		
Heating elements (Option)		kW		
Others				

(1)Airflow in ducted units; at nominal external static pressure.

(2)Sound power in ducted units is measured at air discharge.

(3)Sound pressure level measured at 1-meter distance from unit.

(4)Rating conditions in accordance to ISO 5151 and ISO 13253 (for ducted units).

2.7 DAF036 / YIF036T

R410A

PRELIMINARY PRODUCT DATA SHEET

Model Indoor Unit		DAF036		
Model Outdoor Unit		YIF036T		
Installation Method of Pipe		ducted		
Characteristics	Units	Cooling	Heating	
Capacity (4)	Btu/hr	34120	37530	
	kW	10.0	11.0	
Power input (4)	kW	4.00	3.50	
EER (Cooling) or COP(Heating) (4)	W/W	2.50	3.14	
Energy efficiency class				
Power supply	V/Ph/Hz	380-415V/3 Ph/50Hz		
Rated current	A			
Starting current	A			
Circuit breaker rating (IDU/ODU)	A	10/16		
INDOOR	Fan type & quantity		Centrifugal x 2	
	Fan speeds	H/M/L	RPM	1320/1090/910
	Air flow (1)	H/M/L	m3/hr	2000/1650/1380
	External static pressure	Min-Max	Pa	37(0~150)
	Sound power level (2)	H/M/L	dB(A)	60/58/56
	Sound pressure level(3)	H/M/L	dB(A)	50/48/46
	Moisture removal		l/hr	2.9
	Condensate drain tube I.D		mm	20
	Dimensions	WxHxD	mm	1251x290x744
	Weight		kg	57
	Package dimensions	WxHxD	mm	1335x290x834
	Packaged weight		kg	67
	Units per pallet		units	
	Stacking height		units	
OUTDOOR	Refrigerant control		Capillary	
	Compressor type, model		Scroll	
	Fan type & quantity		Propeller(direct) x 1	
	Fan speeds	H/L	RPM	900
	Air flow	H/L	m3/hr	4000
	Sound power level	H/L	dB(A)	70
	Sound pressure level(3)	H/L	dB(A)	60
	Dimensions	WxHxD	mm	1018x840x412
	Weight		kg	90
	Package dimensions	WxHxD	mm	1110x985x450
	Packaged weight		kg	100
	Units per pallet		Units	
	Stacking height		units	
	Refrigerant type			R410A
	Refrigerant chargeless distance		kg/m	3.2/5
	Additional charge per 1 meter		g/m	120g/m
	Connections between units	Liquid line	ln.(mm)	1/2"(12.7)
Suction line		ln.(mm)	3/4"(19.05)	
Max.tubing length		m.	Max.50	
Max.height		m.	Max.30	
Operation control type			Remote control	
Heating elements (Option)		kW		
Others				

- (1)Airflow in ducted units; at nominal external static pressure.
- (2)Sound power in ducted units is measured at air discharge.
- (3)Sound pressure level measured at 1-meter distance from unit.
- (4)Rating conditions in accordance to ISO 5151 and ISO 13253 (for ducted units).

2.8 DAF042 / YIF042

R410A PRELIMINARY PRODUCT DATA SHEET

Model Indoor Unit		DAF042	
Model Outdoor Unit		YIF042T	
Installation Method of Pipe		ducted	
Characteristics	Units	Cooling	Heating
Capacity (4)	Btu/hr	40940	47770
	kW	12.0	14.0
Power input (4)	kW	5.3	4.9
EER (Cooling) or COP(Heating) (4)	W/W	2.26	2.85
Energy efficiency class			
Power supply	V/Ph/Hz	380-415V/3 Ph/50Hz	
Rated current	A		
Starting current	A		
Circuit breaker rating (IDU/ODU)	A	10/20	
INDOOR	Fan type & quantity		Centrifugal x 2
	Fan speeds	H/M/L	RPM 1320/1090/910
	Air flow (1)	H/M/L	m3/hr 2000/1650/1380
	External static pressure	Min-Max	Pa 37(0~150)
	Sound power level (2)	H/M/L	dB(A) 60/58/56
	Sound pressure level(3)	H/M/L	dB(A) 50/48/46
	Moisture removal		l/hr 4.3
	Condensate drain tube I.D		mm 20
	Dimensions	WxHxD	mm 1251x290x744
	Weight		kg 57
	Package dimensions	WxHxD	mm 1335x290x834
	Packaged weight		kg 67
	Units per pallet		units
	Stacking height		units
OUTDOOR	Refrigerant control		Capillary
	Compressor type, model		Scroll
	Fan type & quantity		Propeller(direct) x 2
	Fan speeds	H/L	RPM 840
	Air flow	H/L	m3/hr 6000
	Sound power level	H/L	dB(A) 70
	Sound pressure level(3)	H/L	dB(A) 60
	Dimensions	WxHxD	mm 950x1250x412
	Weight		kg 112
	Package dimensions	WxHxD	mm 1110x1385x450
	Packaged weight		kg 123
	Units per pallet		Units
	Stacking height		units
	Refrigerant type		R410A
	Refrigerant chargeless distance		kg/m 3.55/5
	Additional charge per 1 meter		g/m 120g/m
	Connections between units	Liquid line	In.(mm)
Suction line		In.(mm)	3/4"(19.05)
Max.tubing length		m.	Max.50
Max.height		m.	Max.30
Operation control type		Remote control	
Heating elements (Option)		kW	
Others			

- (1)Airflow in ducted units; at nominal external static pressure.
- (2)Sound power in ducted units is measured at air discharge.
- (3)Sound pressure level measured at 1-meter distance from unit.
- (4)Rating conditions in accordance to ISO 5151 and ISO 13253 (for ducted units).

2.9 DAF060 / YIF060

R410A

PRELIMINARY PRODUCT DATA SHEET

Model Indoor Unit			DAF060
Model Outdoor Unit			YIF060T
Installation Method of Pipe			ducted
Characteristics	Units		Cooling
Capacity (4)	Btu/hr		54590
	kW		16.0
Power input (4)	kW		6.5
EER (Cooling) or COP(Heating) (4)	W/W		2.46
Energy efficiency class			
Power supply	V/Ph/Hz		380-415V/3 Ph/50Hz
Rated current	A		
Starting current	A		
Circuit breaker rating (IDU/ODU)			10/20
INDOOR	Fan type & quantity		Centrifugal x 2
	Fan speeds	H/M/L	RPM
	Air flow (1)	H/M/L	m3/hr
	External static pressure	Min-Max	Pa
	Sound power level (2)	H/M/L	dB(A)
	Sound pressure level(3)	H/M/L	dB(A)
	Moisture removal		l/hr
	Condensate drain tube I.D		mm
	Dimensions	WxHxD	mm
	Weight		kg
	Package dimensions	WxHxD	mm
	Packaged weight		kg
	Units per pallet		units
	Stacking height		units
OUTDOOR	Refrigerant control		Capillary
	Compressor type, model		Scroll
	Fan type & quantity		Propeller(direct) x 2
	Fan speeds	H/L	RPM
	Air flow	H/L	m3/hr
	Sound power level	H/L	dB(A)
	Sound pressure level(3)	H/L	dB(A)
	Dimensions	WxHxD	mm
	Weight		kg
	Package dimensions	WxHxD	mm
	Packaged weight		kg
	Units per pallet		Units
	Stacking height		units
	Refrigerant type		R410A
	Refrigerant chargeless distance		kg/m
	Additional charge per 1 meter		g/m
	Connections between units	Liquid line	ln.(mm)
Suction line		ln.(mm)	
Max.tubing length		m.	
Max.height difference		m.	
Operation control type			Remote control
Heating elements (Option)			kW
Others			

(1)Airflow in ducted units; at nominal external static pressure.

(2)Sound power in ducted units is measured at air discharge.

(3)Sound pressure level measured at 1-meter distance from unit.

(4)Rating conditions in accordance to ISO 5151 and ISO 13253 (for ducted units).

2.10 FAF012 / YIF012

R410A

PRELIMINARY PRODUCT DATA SHEET

Model Indoor Unit			FAF012	
Model Outdoor Unit			YIF012	
Installation Method of Pipe			Floor / Ceiling	
Characteristics	Units	Cooling	Heating	
Capacity (4)	Btu/hr	11940	12280	
	kW	3.5	3.6	
Power input (4)	kW	1.17	1.10	
EER (Cooling) or COP(Heating) (4)	W/W	2.99	3.27	
Energy efficiency class		C	C	
Power supply	V/Ph/Hz	220-240V/Single/50Hz		
Rated current	A	5.24	4.93	
Starting current	A			
Circuit breaker rating (IDU/ODU)	A	6/16		
INDOOR	Fan type & quantity		Centrifugal x 2	
	Fan speeds	H/M/L	RPM	790/670/550
	Air flow (1)	H/M/L	m3/hr	790/670/550
	External static pressure	Min-Max	Pa	0
	Sound power level (2)	H/M/L	dB(A)	56/54/51
	Sound pressure level(3)	H/M/L	dB(A)	46/44/41
	Moisture removal		l/hr	1.2
	Condensate drain tube I.D		mm	20
	Dimensions	WxHxD	mm	836/238/695
	Weight		kg	27
	Package dimensions	WxHxD	mm	935/295/805
	Packaged weight		kg	35.5
	Units per pallet		units	
	Stacking height		units	
	OUTDOOR	Refrigerant control		Capillary
Compressor type, model		Rotary		
Fan type & quantity		Propeller(direct) x 1		
Fan speeds		H/L	RPM	900
Air flow		H/L	m3/hr	2800
Sound power level		H/L	dB(A)	66
Sound pressure level(3)		H/L	dB(A)	56
Dimensions		WxHxD	mm	840x540x320
Weight			kg	32
Package dimensions		WxHxD	mm	878x590x360
Packaged weight			kg	37
Units per pallet			Units	
Stacking height			units	
Refrigerant type			R410A	
Refrigerant chargeless distance		kg/m	1.0/5	
Additional charge per 1 meter		g/m	30g/m	
Connections between units		Liquid line	In.(mm)	1/4"(6.35)
	Suction line	In.(mm)	1/2"(12.7)	
	Max.tubing length	m.	Max.20	
	Max.height difference	m.	Max.15	
Operation control type			Remote control	
Heating elements (Option)		kW		
Others				

(1)Airflow in ducted units; at nominal external static pressure.

(2)Sound power in ducted units is measured at air discharge.

(3)Sound pressure level measured at 1-meter distance from unit.

(4)Rating conditions in accordance to ISO 5151 and ISO 13253 (for ducted units).

2.11 FAF018 / YIF018

R410A

PRELIMINARY PRODUCT DATA SHEET

Model Indoor Unit			FAF018		
Model Outdoor Unit			YIF018		
Installation Method of Pipe			Floor / Ceiling		
Characteristics		Units	Cooling	Heating	
Capacity (4)		Btu/hr	17060	19450	
		kW	5.0	5.7	
Power input (4)		kW	2.03	2.07	
EER (Cooling) or COP(Heating) (4)		W/W	E	E	
Energy efficiency class			1.10	1.23	
Power supply		V/Ph/Hz	220-240V/Single/50Hz		
Rated current		A	1.10	1.23	
Starting current		A			
Circuit breaker rating (IDU/ODU)		A	6/20		
INDOOR	Fan type & quantity		Centrifugal x 2		
	Fan speeds		H/M/L	RPM	1070/970/870
	Air flow (1)		H/M/L	m3/hr	1070/970/700
	External static pressure		Min-Max	Pa	0
	Sound power level (2)		H/M/L	dB(A)	64/60/56
	Sound pressure level(3)		H/M/L	dB(A)	54/50/46
	Moisture removal			l/hr	1.9
	Condensate drain tube I.D			mm	20
	Dimensions		WxHxD	mm	836x238x695
	Weight			kg	27
	Package dimensions		WxHxD	mm	935x295x805
	Packaged weight			kg	35.5
	Units per pallet			units	
	Stacking height			units	
OUTDOOR	Refrigerant control		Capillary		
	Compressor type, model		Rotary		
	Fan type & quantity		Propeller(direct) x 1		
	Fan speeds		H/L	RPM	900
	Air flow		H/L	m3/hr	2800
	Sound power level		H/L	dB(A)	66
	Sound pressure level(3)		H/L	dB(A)	56
	Dimensions		WxHxD	mm	848x540x320
	Weight			kg	40
	Package dimensions		WxHxD	mm	878x590x360
	Packaged weight			kg	45
	Units per pallet			Units	
	Stacking height			units	
	Refrigerant type			R410A	
	Refrigerant chargeless distance			kg/m	1.5/5
	Additional charge per 1 meter			g/m	30g/m
	Connections between units	Liquid line	ln.(mm)	1/4"(6.35)	
Suction line		ln.(mm)	1/2"(12.7)		
Max.tubing length		m.	Max.20		
Max.height difference		m.	Max.15		
Operation control type			Remote control		
Heating elements (Option)			kW		
Others					

- (1)Airflow in ducted units; at nominal external static pressure.
- (2)Sound power in ducted units is measured at air discharge.
- (3)Sound pressure level measured at 1-meter distance from unit.
- (4)Rating conditions in accordance to ISO 5151 and ISO 13253 (for ducted units).

2.12 FAF024 / YIF024

R410A

PRELIMINARY PRODUCT DATA SHEET

Model Indoor Unit			FAF024	
Model Outdoor Unit			YIF024	
Installation Method of Pipe			Floor / Ceiling	
Characteristics		Units	Cooling	Heating
Capacity (4)		Btu/hr	23880	27300
		kW	7.0	8.0
Power input (4)		kW	2.61	2.59
EER (Cooling) or COP(Heating) (4)		W/W	2.68	3.08
Energy efficiency class				
Power supply		V/Ph/Hz	220-240V/Single/50Hz	
Rated current		A	11.7	11.6
Starting current		A		
Circuit breaker rating (IDU/ODU)		A	6/25	
INDOOR	Fan type & quantity		Centrifugal x 2	
	Fan speeds	H/M/L	RPM	1360/1280/1240
	Air flow (1)	H/M/L	m3/hr	1170/1080/1000
	External static pressure	Min-Max	Pa	0
	Sound power level (2)	H/M/L	dB(A)	60/58/56
	Sound pressure level(3)	H/M/L	dB(A)	50/48/46
	Moisture removal		l/hr	2.35
	Condensate drain tube I.D		mm	20
	Dimensions	WxHxD	mm	1300X188X600
	Weight		kg	32
	Package dimensions	WxHxD	mm	1414X248X724
	Packaged weight		kg	36
	Units per pallet		units	
	Stacking height		units	
OUTDOOR	Refrigerant control		Capillary	
	Compressor type, model		Rotary	
	Fan type & quantity		Propeller(direct) x 1	
	Fan speeds	H/L	RPM	940
	Air flow	H/L	m3/hr	3200
	Sound power level	H/L	dB(A)	69
	Sound pressure level(3)	H/L	dB(A)	59
	Dimensions	WxHxD	mm	1018x700x412
	Weight		kg	59
	Package dimensions	WxHxD	mm	1100x755x450
	Packaged weight		kg	64
	Units per pallet		Units	
	Stacking height		units	
	Refrigerant type		R410A	
	Refrigerant chargeless distance		kg/m	2.2/5
	Additional charge per 1 meter		g/m	60g/m
Connections between units	Liquid line	In.(mm)	3/8"(9.53)	
	Suction line	In.(mm)	5/8"(15.88)	
	Max.tubing length	m.	Max.30	
	Max.height difference	m.	Max.15	
Operation control type		Remote control		
Heating elements (Option)		kW		
Others				

(1)Airflow in ducted units; at nominal external static pressure.

(2)Sound power in ducted units is measured at air discharge.

(3)Sound pressure level measured at 1-meter distance from unit.

(4)Rating conditions in accordance to ISO 5151 and ISO 13253 (for ducted units).

2.13 FAF030 / YIF030

R410A

PRELIMINARY PRODUCT DATA SHEET

Model Indoor Unit			FAF030		
Model Outdoor Unit			YIF030		
Installation Method of Pipe			Floor / Ceiling		
Characteristics		Units	Cooling	Heating	
Capacity (4)		Btu/hr	30030	33440	
		kW	8.8	9.8	
Power input (4)		kW	3.00	2.85	
EER (Cooling) or COP(Heating) (4)		W/W	2.93	3.43	
Energy efficiency class					
Power supply		V/Ph/Hz	220-240V/Single/50Hz		
Rated current		A	13.4	12.8	
Starting current		A			
Circuit breaker rating (IDU/ODU)		A	6/30		
INDOOR	Fan type & quantity		Centrifugal x 2		
	Fan speeds		H/M/L	RPM	1025/965/890
	Air flow (1)		H/M/L	m3/hr	1600/1450/1300
	External static pressure		Min-Max	Pa	0
	Sound power level (2)		H/M/L	dB(A)	62/61/59
	Sound pressure level(3)		H/M/L	dB(A)	52/51/49
	Moisture removal			l/hr	2.3
	Condensate drain tube I.D			mm	20
	Dimensions		WxHxD	mm	1420x245x700
	Weight			kg	50
	Package dimensions		WxHxD	mm	1545x330x825
	Packaged weight			kg	59
	Units per pallet			units	
	Stacking height			units	
OUTDOOR	Refrigerant control		Capillary		
	Compressor type, model		Rotary		
	Fan type & quantity		Propeller(direct) x 1		
	Fan speeds		H/L	RPM	780
	Air flow		H/L	m3/hr	4200
	Sound power level		H/L	dB(A)	69
	Sound pressure level(3)		H/L	dB(A)	59
	Dimensions		WxHxD	mm	980x790x427
	Weight			kg	70
	Package dimensions		WxHxD	mm	1080x840x485
	Packaged weight			kg	75
	Units per pallet			Units	
	Stacking height			units	
	Refrigerant type				R410A
	Refrigerant chargeless distance			kg/m	3.6/5
	Additional charge per 1 meter			g/m	60g/m
	Connections between units	Liquid line	In.(mm)	3/8"(9.53)	
Suction line		In.(mm)	5/8"(15.88)		
Max.tubing length		m.	Max.30		
Max.height difference		m.	Max.15		
Operation control type			Remote control		
Heating elements (Option)			kW		
Others					

- (1)Airflow in ducted units; at nominal external static pressure.
- (2)Sound power in ducted units is measured at air discharge.
- (3)Sound pressure level measured at 1-meter distance from unit.
- (4)Rating conditions in accordance to ISO 5151 and ISO 13253 (for ducted units).

2.14 FAF036 / YIF036

R410A

PRELIMINARY PRODUCT DATA SHEET

Model Indoor Unit			FAF036	
Model Outdoor Unit			YIF036	
Installation Method of Pipe			Floor / Ceiling	
Characteristics		Units	Cooling	Heating
Capacity (4)		Btu/hr	34120	37530
		kW	10.0	11.0
Power input (4)		kW	3.60	3.30
EER (Cooling) or COP(Heating) (4)		W/W	2.50	3.14
Energy efficiency class			2.77	3.33
Power supply		V/Ph/Hz	220-240V/Single/50Hz	
Rated current		A	16.1	14.8
Starting current		A		
Circuit breaker rating (IDU/ODU)		A	6/40	
INDOOR	Fan type & quantity		Centrifugal x 2	
	Fan speeds	H/M/L	RPM	1100/1000/930
	Air flow (1)	H/M/L	m3/hr	1800/1630/1520
	External static pressure	Min-Max	Pa	0
	Sound power level (2)	H/M/L	dB(A)	64/61/58
	Sound pressure level(3)	H/M/L	dB(A)	54/51/48
	Moisture removal		l/hr	2.9
	Condensate drain tube I.D		mm	20
	Dimensions	WxHxD	mm	1590X238X695
	Weight		kg	42
	Package dimensions	WxHxD	mm	1714X330X830
	Packaged weight		kg	51
	Units per pallet		units	
	Stacking height		units	
OUTDOOR	Refrigerant control		Capillary	
	Compressor type, model		Scroll	
	Fan type & quantity		Propeller(direct) x 1	
	Fan speeds	H/L	RPM	900
	Air flow	H/L	m3/hr	4000
	Sound power level	H/L	dB(A)	70
	Sound pressure level(3)	H/L	dB(A)	60
	Dimensions	WxHxD	mm	1018x840x412
	Weight		kg	90
	Package dimensions	WxHxD	mm	1110x985x450
	Packaged weight		kg	100
	Units per pallet		Units	
	Stacking height		units	
	Refrigerant type		R410A	
	Refrigerant chargeless distance		kg/m	3.2/5
	Additional charge per 1 meter		g/m	120g/m
Connections between units	Liquid line	In.(mm)	1/2"(12.7)	
	Suction line	In.(mm)	3/4"(19.05)	
	Max.tubing length	m.	Max.50	
	Max.height difference	m.	Max.30	
Operation control type		Remote control		
Heating elements (Option)		kW		
Others				

(1)Airflow in ducted units; at nominal external static pressure.

(2)Sound power in ducted units is measured at air discharge.

(3)Sound pressure level measured at 1-meter distance from unit.

(4)Rating conditions in accordance to ISO 5151 and ISO 13253 (for ducted units).

2.15 FAF036 / YIF036T

R410A

PRELIMINARY PRODUCT DATA SHEET

Model Indoor Unit			FAF036		
Model Outdoor Unit			YIF036T		
Installation Method of Pipe			Floor / Ceiling		
Characteristics		Units	Cooling	Heating	
Capacity (4)		Btu/hr	34120	36780	
		kW	10.0	10.78	
Power input (4)		kW	3.60	3.30	
EER (Cooling) or COP(Heating) (4)		W/W	2.77	3.26	
Energy efficiency class					
Power supply		V/Ph/Hz	380-415V/3 Ph/50Hz		
Rated current		A	16.1	14.8	
Starting current		A			
Circuit breaker rating (IDU/ODU)		A	6/16		
INDOOR	Fan type & quantity		Centrifugal x 2		
	Fan speeds		H/M/L	RPM	1100/1000/930
	Air flow (1)		H/M/L	m3/hr	1800/1630/1520
	External static pressure		Min-Max	Pa	0
	Sound power level (2)		H/M/L	dB(A)	64/61/58
	Sound pressure level(3)		H/M/L	dB(A)	54/51/48
	Moisture removal			l/hr	2.9
	Condensate drain tube I.D			mm	20
	Dimensions		WxHxD	mm	1590X238X695
	Weight			kg	42
	Package dimensions		WxHxD	mm	1714X330X830
	Packaged weight			kg	51
	Units per pallet			units	
	Stacking height			units	
OUTDOOR	Refrigerant control		Capillary		
	Compressor type, model		Scroll		
	Fan type & quantity		Propeller(direct) x 1		
	Fan speeds		H/L	RPM	900
	Air flow		H/L	m3/hr	4000
	Sound power level		H/L	dB(A)	70
	Sound pressure level(3)		H/L	dB(A)	60
	Dimensions		WxHxD	mm	1018x840x412
	Weight			kg	90
	Package dimensions		WxHxD	mm	1110x985x450
	Packaged weight			kg	100
	Units per pallet			Units	
	Stacking height			units	
	Refrigerant type				R410A
	Refrigerant chargeless distance			kg/m	3.2/5
	Additional charge per 1 meter			g/m	120g/m
	Connections between units	Liquid line	In.(mm)	1/2"(12.7)	
Suction line		In.(mm)	3/4"(19.05)		
Max.tubing length		m.	Max.50		
Max.height difference		m.	Max.30		
Operation control type			Remote control		
Heating elements (Option)			kW		
Others					

- (1)Airflow in ducted units; at nominal external static pressure.
- (2)Sound power in ducted units is measured at air discharge.
- (3)Sound pressure level measured at 1-meter distance from unit.
- (4)Rating conditions in accordance to ISO 5151 and ISO 13253 (for ducted units).

2.16 FAF042 / YIF042

R410A PRELIMINARY PRODUCT DATA SHEET

Model Indoor Unit		FAF042		
Model Outdoor Unit		YIF042T		
Installation Method of Pipe		Floor / Ceiling		
Characteristics	Units	Cooling	Heating	
Capacity (4)	Btu/hr	40940	47770	
	kW	12.0	14.0	
Power input (4)	kW	4.8	4.7	
EER (Cooling) or COP(Heating) (4)	W/W	2.50	2.97	
Energy efficiency class				
Power supply	V/Ph/Hz	380-415V/3 Ph/50Hz		
Rated current	A	21.5	21.1	
Starting current	A			
Circuit breaker rating (IDU/ODU)	A	6/16		
INDOOR	Fan type & quantity		Centrifugal x 2	
	Fan speeds	H/M/L	RPM	1100/1000/930
	Air flow (1)	H/M/L	m3/hr	1800/1630/1520
	External static pressure	Min-Max	Pa	0
	Sound power level (2)	H/M/L	dB(A)	64/61/58
	Sound pressure level(3)	H/M/L	dB(A)	54/51/48
	Moisture removal		l/hr	4.3
	Condensate drain tube I.D		mm	20
	Dimensions	WxHxD	mm	1590X238X695
	Weight		kg	42
	Package dimensions	WxHxD	mm	1714X330X830
	Packaged weight		kg	51
	Units per pallet		units	
	Stacking height		units	
OUTDOOR	Refrigerant control		Capillary	
	Compressor type, model		Scroll	
	Fan type & quantity		Propeller(direct) x 2	
	Fan speeds	H/L	RPM	840
	Air flow	H/L	m3/hr	6000
	Sound power level	H/L	dB(A)	70
	Sound pressure level(3)	H/L	dB(A)	60
	Dimensions	WxHxD	mm	950x1250x412
	Weight		kg	112
	Package dimensions	WxHxD	mm	1110x1385x450
	Packaged weight		kg	123
	Units per pallet		Units	
	Stacking height		units	
	Refrigerant type			R410A
	Refrigerant chargeless distance		kg/m	3.55/5
	Additional charge per 1 meter		g/m	120g/m
	Connections between units	Liquid line	In.(mm)	1/2"(12.7)
Suction line		In.(mm)	3/4"(19.05)	
Max.tubing length		m.	Max.50	
Max.height		m.	Max.30	
Operation control type			Remote control	
Heating elements (Option)		kW		
Others				

- (1)Airflow in ducted units; at nominal external static pressure.
- (2)Sound power in ducted units is measured at air discharge.
- (3)Sound pressure level measured at 1-meter distance from unit.
- (4)Rating conditions in accordance to ISO 5151 and ISO 13253 (for ducted units).

2.17 CAF012 / YIF012

R410A

PRELIMINARY PRODUCT DATA SHEET

Model Indoor Unit		CAF012		
Model Outdoor Unit		YIF012		
Installation Method of Pipe		Flared		
Characteristics		Units	Cooling	
Capacity (4)		Btu/hr	11940	
		kW	3.5	
Power input (4)		kW	1.17	
EER (Cooling) or COP(Heating) (4)		W/W	2.99	
Energy efficiency class				
Power supply		V/Ph/Hz	220-240V/Single/50Hz	
Rated current		A	5.2	
Starting current		A	4.9	
Circuit breaker rating (IDU/ODU)		A	6/13	
INDOOR	Fan type & quantity		Centrifugal x 1	
	Fan speeds	H/M/L	RPM	
	Air flow (1)	H/M/L	m3/hr	
	External static pressure	Min-Max	Pa	
	Sound power level (2)	H/M/L	dB(A)	
	Sound pressure level(3)	H/M/L	dB(A)	
	Moisture removal		l/hr	1.1
	Condensate drain tube I.D		mm	20
	Dimensions	WxHxD	mm	600x230x600
	Weight		kg	20
	Package dimensions	WxHxD	mm	848x310x678
	Packaged weight		kg	27
	Units per pallet		units	
	Stacking height		units	
OUTDOOR	Refrigerant control		Capillary	
	Compressor type, model		Rotary	
	Fan type & quantity		Propeller(direct) x 1	
	Fan speeds	H/L	RPM	
	Air flow	H/L	m3/hr	
	Sound power level	H/L	dB(A)	
	Sound pressure level(3)	H/L	dB(A)	
	Dimensions	WxHxD	mm	
	Weight		kg	
	Package dimensions	WxHxD	mm	
	Packaged weight		kg	
	Units per pallet		Units	
	Stacking height		units	
	Refrigerant type		R410A	
	Refrigerant chargeless distance		kg/m	
	Additional charge per 1 meter		g/m	
Connections between units	Liquid line	In.(mm)		
	Suction line	In.(mm)		
	Max.tubing length	m.		
	Max.height difference	m.		
Operation control type		Remote control		
Heating elements (Option)		kW		
Others				

- (1)Airflow in ducted units: at nominal external static pressure.
- (2)Sound power in ducted units is measured at air discharge.
- (3)Sound pressure level measured at 1-meter distance from unit.
- (4)Rating conditions in accordance to ISO 5151 and ISO 13253 (for ducted units).

2.18 CAF018 / YIF018

R410A PRELIMINARY PRODUCT DATA SHEET

Model Indoor Unit		CAF018	
Model Outdoor Unit		YIF018	
Installation Method of Pipe		Flared	
Characteristics	Units	Cooling	Heating
Capacity (4)	Btu/hr	17060	19450
	kW	5.0	5.7
Power input (4)	kW	2.00	1.90
EER (Cooling) or COP(Heating) (4)	W/W	2.38	3.16
Energy efficiency class		2.50	3.00
Power supply	V/Ph/Hz	220-240V/Single/50Hz	
Rated current	A	9.0	8.5
Starting current	A		
Circuit breaker rating (IDU/ODU)	A	6/20	
INDOOR	Fan type & quantity		Centrifugal x 1
	Fan speeds	H/M/L	RPM 820/720/620
	Air flow (1)	H/M/L	m3/hr 550/490/420
	External static pressure	Min-Max	Pa 0
	Sound power level (2)	H/M/L	dB(A) 57/55/53
	Sound pressure level(3)	H/M/L	dB(A) 47/45/43
	Moisture removal		l/hr 1.9
	Condensate drain tube I.D		mm 20
	Dimensions	WxHxD	mm 600x230x600
	Weight		kg 20
	Package dimensions	WxHxD	mm 848x310x678
	Packaged weight		kg 27
	Units per pallet		units
	Stacking height		units
OUTDOOR	Refrigerant control		Capillary
	Compressor type, model		Rotary
	Fan type & quantity		Propeller(direct) x 1
	Fan speeds	H/L	RPM 900
	Air flow	H/L	m3/hr 2800
	Sound power level	H/L	dB(A) 66
	Sound pressure level(3)	H/L	dB(A) 56
	Dimensions	WxHxD	mm 848x540x320
	Weight		kg 40
	Package dimensions	WxHxD	mm 878x590x360
	Packaged weight		kg 45
	Units per pallet		Units
	Stacking height		units
	Refrigerant type		R410A
	Refrigerant chargeless distance		kg/m 1.5/5
	Additional charge per 1 meter		g/m 30g/m
	Connections between units	Liquid line	In.(mm)
Suction line		In.(mm)	1/2"(12.7)
Max.tubing length		m.	Max.20
Max.height		m.	Max.15
Operation control type		Remote control	
Heating elements (Option)		kW	
Others			

- (1)Airflow in ducted units; at nominal external static pressure.
- (2)Sound power in ducted units is measured at air discharge.
- (3)Sound pressure level measured at 1-meter distance from unit.
- (4)Rating conditions in accordance to ISO 5151 and ISO 13253 (for ducted units).

2.19 CAF024 / YIF024

R410A

PRELIMINARY PRODUCT DATA SHEET

Model Indoor Unit		CAF024	
Model Outdoor Unit		YIF024	
Installation Method of Pipe		Flared	
Characteristics		Units	
Capacity (4)		Btu/hr	23200
		kW	6.8
Power input (4)		kW	2.62
EER (Cooling) or COP(Heating) (4)		W/W	2.63
Energy efficiency class			
Power supply		V/Ph/Hz	220-240V/Single/50Hz
Rated current		A	11.7
Starting current		A	11.2
Circuit breaker rating (IDU/ODU)		A	6/25
INDOOR	Fan type & quantity		Centrifugal x 1
	Fan speeds	H/M/L	RPM
	Air flow (1)	H/M/L	m3/hr
	External static pressure	Min-Max	Pa
	Sound power level (2)	H/M/L	dB(A)
	Sound pressure level(3)	H/M/L	dB(A)
	Moisture removal		l/hr
	Condensate drain tube I.D		mm
	Dimensions	WxHxD	mm
	Weight		kg
	Package dimensions	WxHxD	mm
	Packaged weight		kg
	Units per pallet		units
	Stacking height		units
OUTDOOR	Refrigerant control		Capillary
	Compressor type, model		Rotary
	Fan type & quantity		Propeller(direct) x 1
	Fan speeds	H/L	RPM
	Air flow	H/L	m3/hr
	Sound power level	H/L	dB(A)
	Sound pressure level(3)	H/L	dB(A)
	Dimensions	WxHxD	mm
	Weight		kg
	Package dimensions	WxHxD	mm
	Packaged weight		kg
	Units per pallet		Units
	Stacking height		units
	Refrigerant type		R410A
	Refrigerant chargeless distance		kg/m
	Additional charge per 1 meter		g/m
	Connections between units	Liquid line	ln.(mm)
Suction line		ln.(mm)	
Max.tubing length		m.	
Max.height		m.	
Operation control type		Remote control	
Heating elements (Option)		kW	
Others			

- (1)Airflow in ducted units; at nominal external static pressure.
- (2)Sound power in ducted units is measured at air discharge.
- (3)Sound pressure level measured at 1-meter distance from unit.
- (4)Rating conditions in accordance to ISO 5151 and ISO 13253 (for ducted units).

2.20 CAF030 / YIF030

R410A

PRELIMINARY PRODUCT DATA SHEET

Model Indoor Unit			CAF030
Model Outdoor Unit			YIF030
Installation Method of Pipe			Flared
Characteristics	Units	Cooling	Heating
Capacity (4)	Btu/hr	28320	30030
	kW	8.3	8.8
Power input (4)	kW	2.90	3.15
EER (Cooling) or COP(Heating) (4)	W/W	2.86	2.79
Energy efficiency class			
Power supply	V/Ph/Hz	220-240V/Single/50Hz	
Rated current	A	13.0	14.1
Starting current	A		
Circuit breaker rating (IDU/ODU)	A	6/30	
INDOOR	Fan type & quantity		Centrifugal x 1
	Fan speeds	H/M/L	RPM 670/620/570
	Air flow (1)	H/M/L	m3/hr 1400/1270/1170
	External static pressure	Min-Max	Pa 0
	Sound power level (2)	H/M/L	dB(A) 61/59/58
	Sound pressure level(3)	H/M/L	dB(A) 51/49/48
	Moisture removal		l/hr 2.7
	Condensate drain tube I.D		mm 20
	Dimensions	WxHxD	mm 840x260x840
	Weight		kg 27
	Package dimensions	WxHxD	mm 960x310x960
	Packaged weight		kg 36
	Units per pallet		units
	Stacking height		units
	OUTDOOR	Refrigerant control	
Compressor type, model		Rotary	
Fan type & quantity		Propeller(direct) x 1	
Fan speeds		H/L	RPM 780
Air flow		H/L	m3/hr 4200
Sound power level		H/L	dB(A) 69
Sound pressure level(3)		H/L	dB(A) 59
Dimensions		WxHxD	mm 980x790x427
Weight			kg 70
Package dimensions		WxHxD	mm 1080x840x485
Packaged weight			kg 75
Units per pallet			Units
Stacking height			units
Refrigerant type		R410A	
Refrigerant chargeless distance		kg/m 3.6/5	
Additional charge per 1 meter		g/m 60g/m	
Connections between units	Liquid line	In.(mm)	3/8"(9.53)
	Suction line	In.(mm)	5/8"(15.88)
	Max.tubing length	m.	Max.30
	Max.height difference	m.	Max.15
Operation control type			Remote control
Heating elements (Option)		kW	
Others			

- (1)Airflow in ducted units; at nominal external static pressure.
- (2)Sound power in ducted units is measured at air discharge.
- (3)Sound pressure level measured at 1-meter distance from unit.
- (4)Rating conditions in accordance to ISO 5151 and ISO 13253 (for ducted units).

2.21 CAF036 / YIF036

R410A

PRELIMINARY PRODUCT DATA SHEET

Model Indoor Unit			CAF036		
Model Outdoor Unit			YIF036		
Installation Method of Pipe			Flared		
Characteristics		Units	Cooling	Heating	
Capacity (4)		Btu/hr	34120	37530	
		kW	10.0	11.0	
Power input (4)		kW	3.60	3.30	
EER (Cooling) or COP(Heating) (4)		W/W	2.77	3.33	
Energy efficiency class					
Power supply		V/Ph/Hz	220-240V/Single/50Hz		
Rated current		A	16.1	14.8	
Starting current		A			
Circuit breaker rating (IDU/ODU)		A	6/40		
INDOOR	Fan type & quantity		Centrifugal x 1		
	Fan speeds		H/M/L	RPM	710/660/610
	Air flow (1)		H/M/L	m3/hr	1660/1570/1500
	External static pressure		Min-Max	Pa	0
	Sound power level (2)		H/M/L	dB(A)	63/61/58
	Sound pressure level(3)		H/M/L	dB(A)	53/51/48
	Moisture removal			l/hr	2.9
	Condensate drain tube I.D			mm	20
	Dimensions		WxHxD	mm	840X320X840
	Weight			kg	38
	Package dimensions		WxHxD	mm	960X394X960
	Packaged weight			kg	46
	Units per pallet			units	
	Stacking height			units	
OUTDOOR	Refrigerant control		Capillary		
	Compressor type, model		Scroll		
	Fan type & quantity		Propeller(direct) x 1		
	Fan speeds		H/L	RPM	900
	Air flow		H/L	m3/hr	4000
	Sound power level		H/L	dB(A)	70
	Sound pressure level(3)		H/L	dB(A)	60
	Dimensions		WxHxD	mm	1018x840x412
	Weight			kg	90
	Package dimensions		WxHxD	mm	1110x985x450
	Packaged weight			kg	100
	Units per pallet			Units	
	Stacking height			units	
	Refrigerant type				R410A
	Refrigerant chargeless distance			kg/m	3.2/5
	Additional charge per 1 meter			g/m	120g/m
	Connections between units	Liquid line	In.(mm)	1/2"(12.7)	
Suction line		In.(mm)	3/4"(19.05)		
Max.tubing length		m.	Max.50		
Max.height difference		m.	Max.30		
Operation control type			Remote control		
Heating elements (Option)			kW		
Others					

- (1)Airflow in ducted units; at nominal external static pressure.
- (2)Sound power in ducted units is measured at air discharge.
- (3)Sound pressure level measured at 1-meter distance from unit.
- (4)Rating conditions in accordance to ISO 5151 and ISO 13253 (for ducted units).

2.22 CAF036 / YIF036T

R410A PRELIMINARY PRODUCT DATA SHEET

Model Indoor Unit		CAF036	
Model Outdoor Unit		YIF036T	
Installation Method of Pipe		Flared	
Characteristics	Units	Cooling	Heating
Capacity (4)	Btu/hr	34120	37530
	kW	10.0	11.0
Power input (4)	kW	3.60	3.10
EER (Cooling) or COP(Heating) (4)	W/W	2.77	3.54
Energy efficiency class			
Power supply	V/Ph/Hz	380-415V/3 Ph/50Hz	
Rated current	A	16.1	13.9
Starting current	A		
Circuit breaker rating (IDU/ODU)	A	6/16	
INDOOR	Fan type & quantity		Centrifugal x 1
	Fan speeds	H/M/L	RPM 710/660/610
	Air flow (1)	H/M/L	m3/hr 1660/1570/1500
	External static pressure	Min-Max	Pa 0
	Sound power level (2)	H/M/L	dB(A) 63/61/58
	Sound pressure level(3)	H/M/L	dB(A) 53/51/48
	Moisture removal		l/hr 2.9
	Condensate drain tube I.D		mm 20
	Dimensions	WxHxD	mm 840X320X840
	Weight		kg 38
	Package dimensions	WxHxD	mm 960X394X960
	Packaged weight		kg 46
	Units per pallet		units
	Stacking height		units
OUTDOOR	Refrigerant control		Capillary
	Compressor type, model		Scroll
	Fan type & quantity		Propeller(direct) x 1
	Fan speeds	H/L	RPM 900
	Air flow	H/L	m3/hr 4000
	Sound power level	H/L	dB(A) 70
	Sound pressure level(3)	H/L	dB(A) 60
	Dimensions	WxHxD	mm 1018x840x412
	Weight		kg 90
	Package dimensions	WxHxD	mm 1110x985x450
	Packaged weight		kg 100
	Units per pallet		Units
	Stacking height		units
	Refrigerant type		R410A
	Refrigerant chargeless distance		kg/m 3.2/5
	Additional charge per 1 meter		g/m 120g/m
	Connections between units	Liquid line	In.(mm)
Suction line		In.(mm)	3/4"(19.05)
Max.tubing length		m.	Max.50
Max.height		m.	Max.30
Operation control type		Remote control	
Heating elements (Option)		kW	
Others			

- (1)Airflow in ducted units; at nominal external static pressure.
- (2)Sound power in ducted units is measured at air discharge.
- (3)Sound pressure level measured at 1-meter distance from unit.
- (4)Rating conditions in accordance to ISO 5151 and ISO 13253 (for ducted units).

2.23 CAF042 / YIF042

R410A

PRELIMINARY PRODUCT DATA SHEET

Model Indoor Unit		CAF042	
Model Outdoor Unit		YIF042T	
Installation Method of Pipe		Flared	
Characteristics		Units	Cooling
Capacity (4)		Btu/hr	40940
		kW	12.0
Power input (4)		kW	4.8
EER (Cooling) or COP(Heating) (4)		W/W	2.50
Energy efficiency class			
Power supply		V/Ph/Hz	380-415V/3 Ph/50Hz
Rated current		A	21.5
Starting current		A	22.4
Circuit breaker rating (IDU/ODU)		A	6/20
INDOOR	Fan type & quantity		Centrifugal x 1
	Fan speeds	H/M/L	RPM
	Air flow (1)	H/M/L	m3/hr
	External static pressure	Min-Max	Pa
	Sound power level (2)	H/M/L	dB(A)
	Sound pressure level(3)	H/M/L	dB(A)
	Moisture removal		l/hr
	Condensate drain tube I.D		mm
	Dimensions	WxHxD	mm
	Weight		kg
	Package dimensions	WxHxD	mm
	Packaged weight		kg
	Units per pallet		units
	Stacking height		units
OUTDOOR	Refrigerant control		Capillary
	Compressor type, model		Scroll
	Fan type & quantity		Propeller(direct) x 2
	Fan speeds	H/L	RPM
	Air flow	H/L	m3/hr
	Sound power level	H/L	dB(A)
	Sound pressure level(3)	H/L	dB(A)
	Dimensions	WxHxD	mm
	Weight		kg
	Package dimensions	WxHxD	mm
	Packaged weight		kg
	Units per pallet		Units
	Stacking height		units
	Refrigerant type		R410A
	Refrigerant chargeless distance		kg/m
	Additional charge per 1 meter		g/m
	Connections between units	Liquid line	In.(mm)
Suction line		In.(mm)	
Max.tubing length		m.	
Max.height difference		m.	
Operation control type		Remote control	
Heating elements (Option)		kW	
Others			

- (1)Airflow in ducted units: at nominal external static pressure.
- (2)Sound power in ducted units is measured at air discharge.
- (3)Sound pressure level measured at 1-meter distance from unit.
- (4)Rating conditions in accordance to ISO 5151 and ISO 13253 (for ducted units).

3. RATING CONDITIONS

Rating conditions in accordance with ISO 5151 and ISO 13253 (for ducted units).

Cooling:

Indoor: 27°C DB 19°C WB

Outdoor: 35°C DB

Heating:

Indoor: 20°C DB

Outdoor: 7°C DB 6°C WB

3.1 Operating Limits

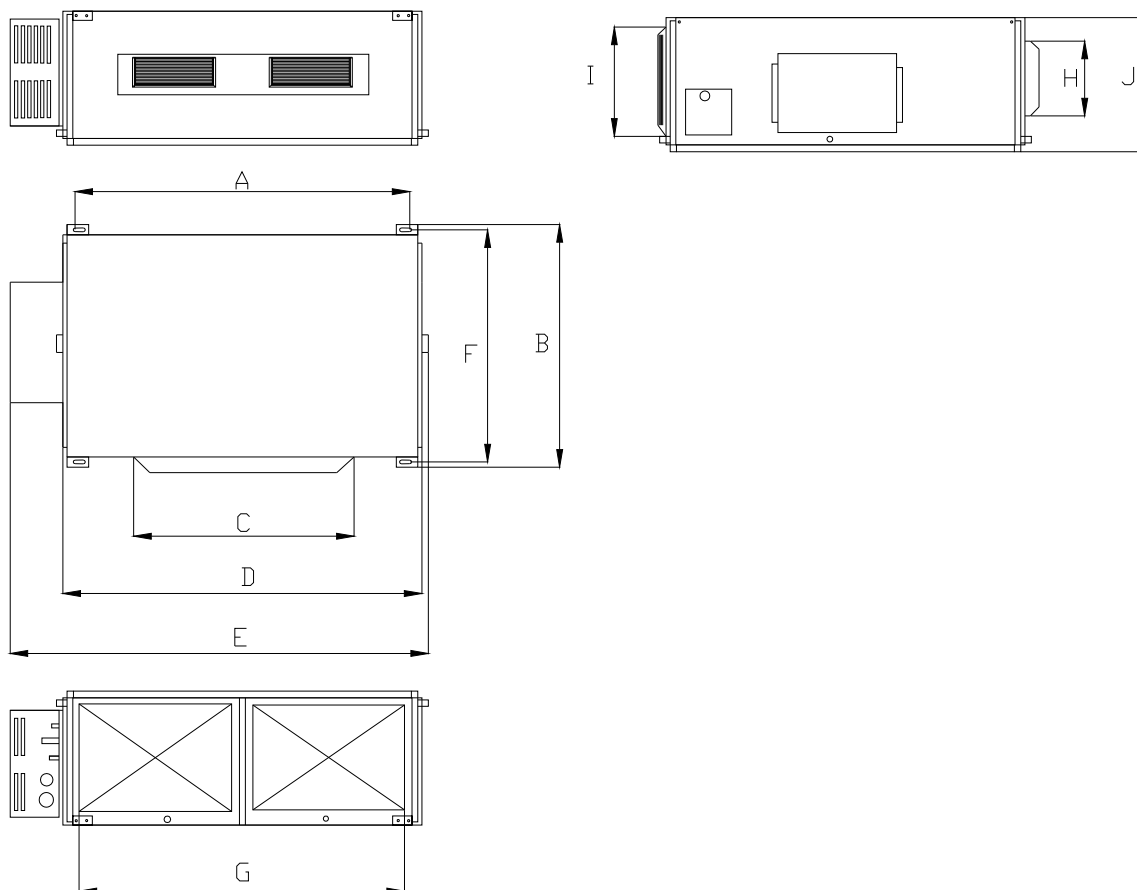
R410A

Operating Limits

		Indoor	Outdoor
Cooling	Upper limit	32°C DB 23°C WB	43°C
	Lower limit	21°C DB 15°C WB	18°C
Heating	Upper limit	27°C DB	24°C DB 18°C WB
	Lower limit	20°C DB	-7°C DB -8°C WB
Voltage	1 Ph	198 – 264 V	198 – 264 V
	3 Ph	-	360 – 440 V

4. OUTLINE DIMENSION

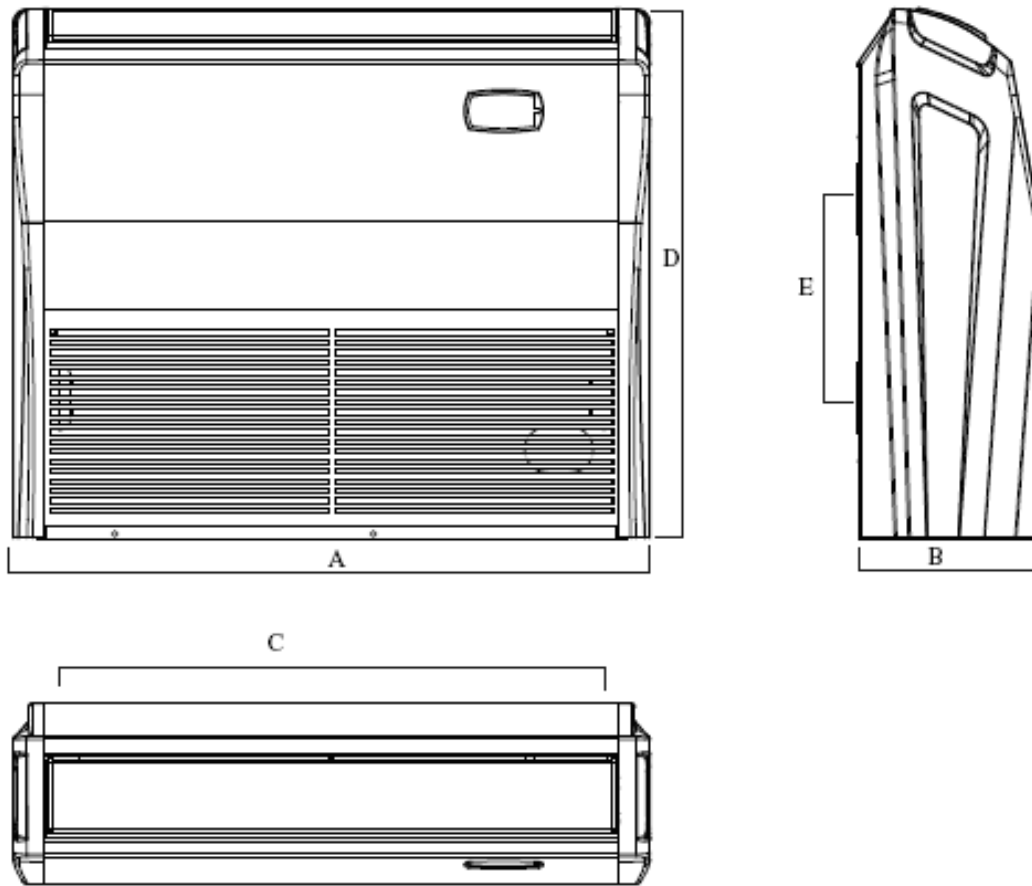
4.1 Indoor Units: DAF009, DAF012, DAF018, DAF024, DAF036, DAF042, DAF060



Unit: mm

Model	A	B	C	D	E	F	G	H	I	J
DAF009	856	571	515	790	913	680	750	100	172	220
DAF012										
DAF018	932	627	738	894	1012	736	738	125	207	266
DAF024	1101	395	820	1159	1270	504	1002	160	235	268
DAF030										
DAF036	1011	635	820	1115	1251	744	980	160	231	290
DAF042										
DAF060	1015	679	820	1115	1251	788	980	160	261	330

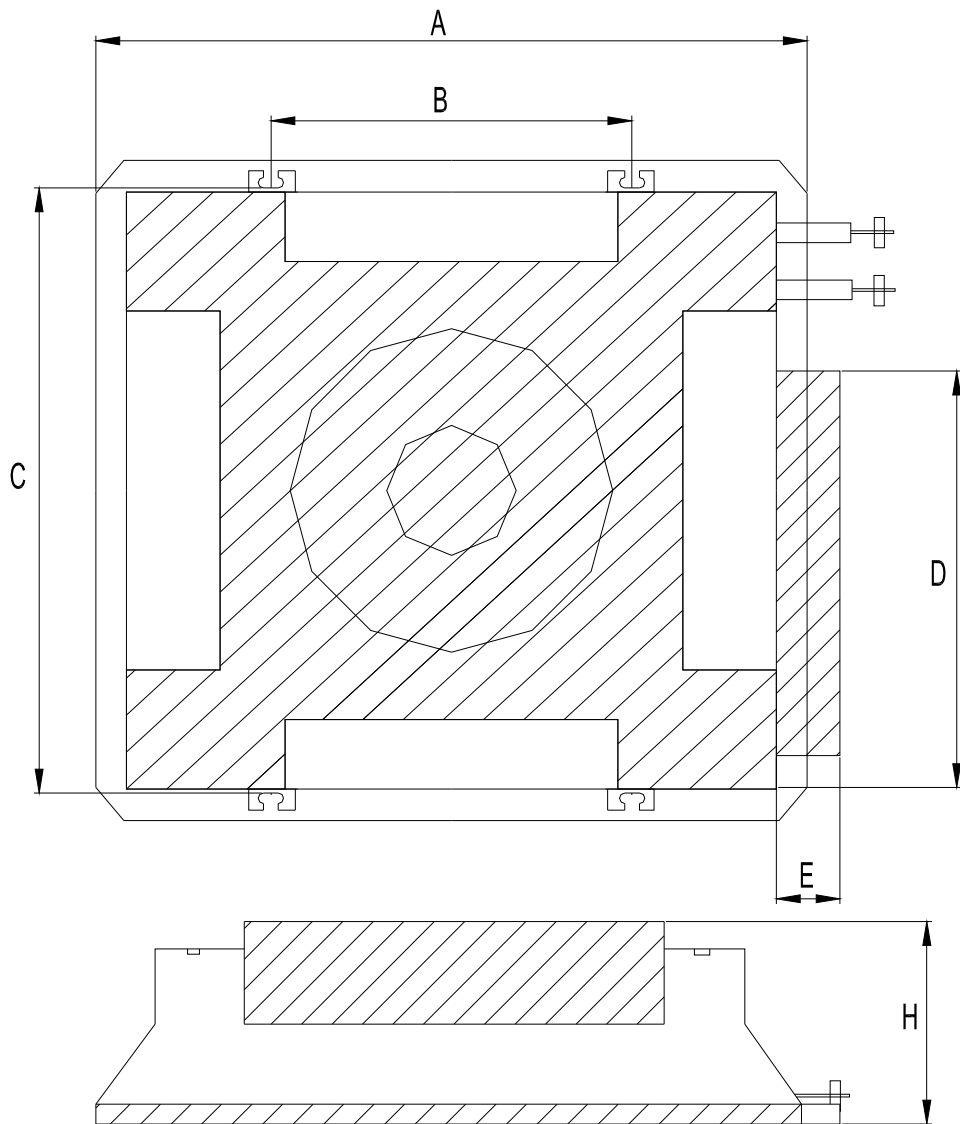
4.2 Indoor Units: FAF012, FAF018, FAF024, FAF036, FAF042



Unit: mm

Model	A	B	C	D	E
FAF012/018	836	238	745	695	260
FAF024/030	1300	188	1202	600	260
FAF036/042	1590	238	1491	695	260

4.3 Indoor Units: CAF012, CAF018, CAF024, CAF036, CAF042

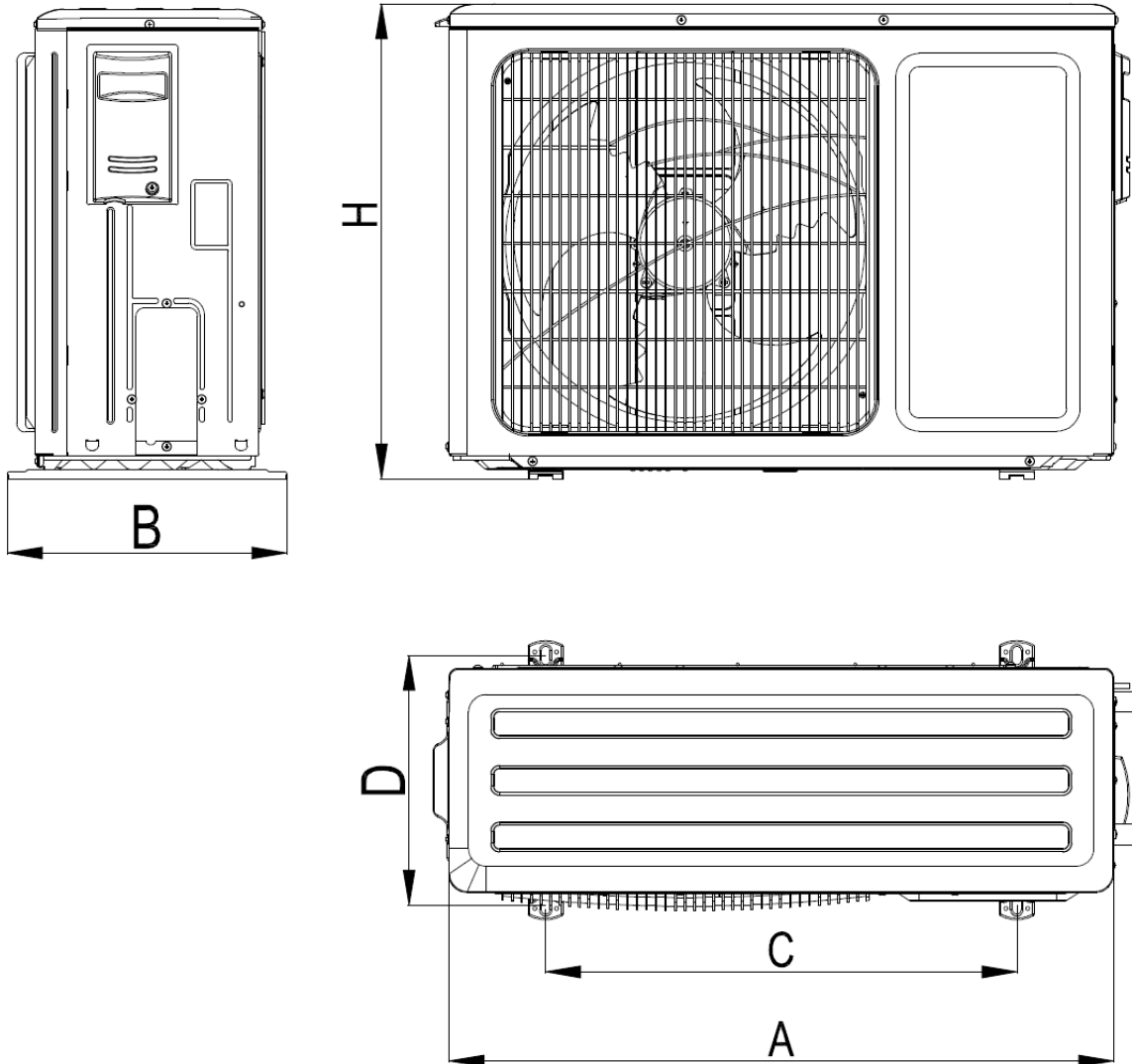


Unit: mm

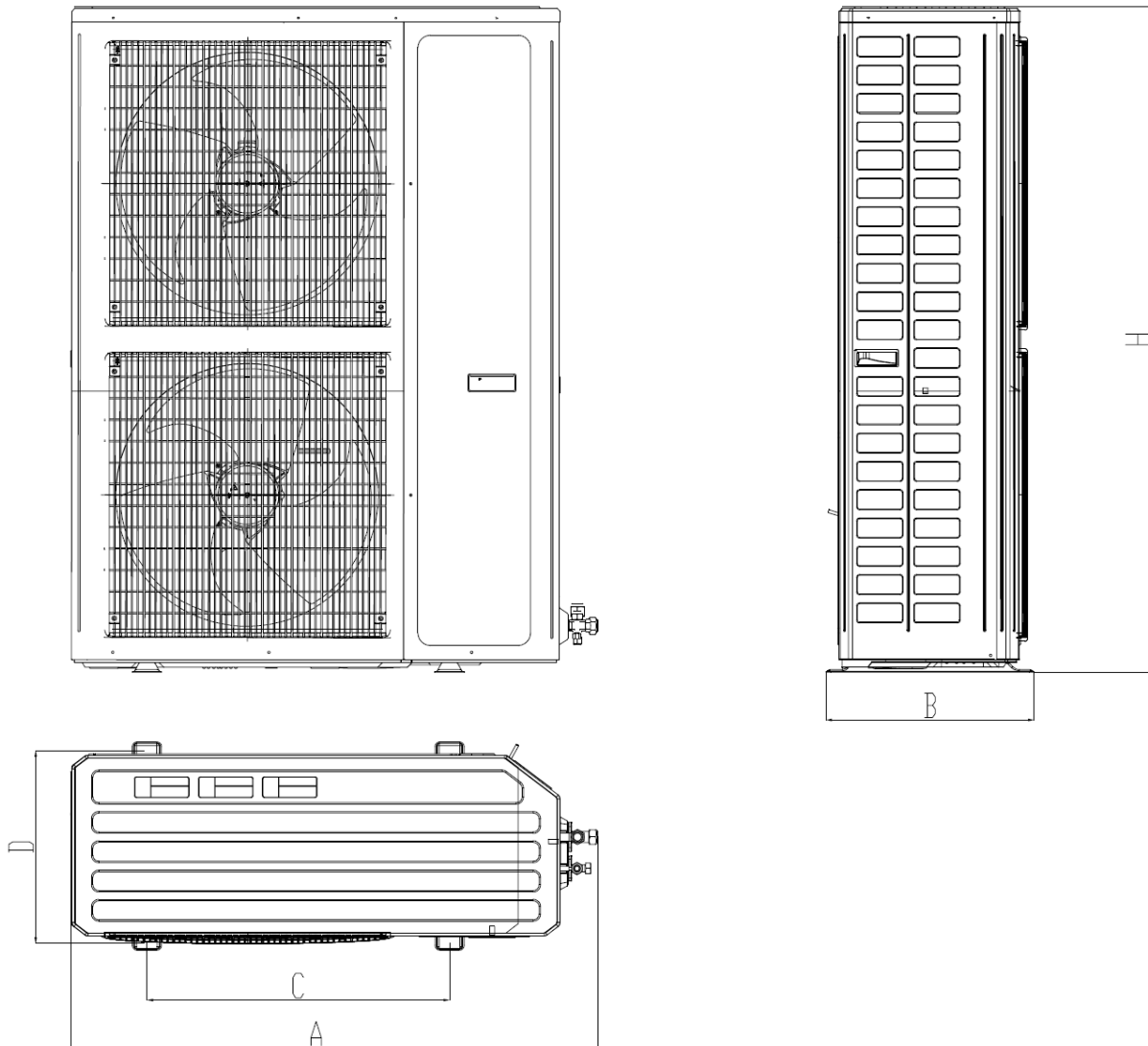
Model	H	A	B	C	D	E
CAF012	245	650	400	606	440	66
CAF018						
CAF024	275	950	680	840	720	76
CAF030						
CAF036	345	950	680	840	720	76
CAF042						

4.4 Outdoor Units:

YIF009/012/018/024/030/036



YIF042/060



Unit: mm

Model	A	B	C	H	D
YIF009	848	320	540	540	286
YIF012					
YIF018					
YIF024	1018	412	572	695	378
YIF030	980	427	610	790	395
YIF036	1018	412	572	840	378
YIF036T					
YIF042T	1032	412	572	1250	378
YIF060T					

5. PERFORMANCE DATA

5.1 YIF009

5.1.1 Cooling Capacity (kW)

Entering Air DB OD Coil(°C)	Data	Entering Air WB/DB ID Coil(°C)				
		15/21	17/24	19/27	21/29	23/32
15	TC	2.65	2.81	2.94	3.07	3.17
	SC	1.71	1.81	1.91	1.87	1.90
	PI	0.71	0.71	0.71	0.72	0.72
20	TC	2.63	2.78	2.91	3.04	3.15
	SC	1.87	1.99	2.10	2.04	2.09
	PI	0.77	0.77	0.78	0.78	0.78
25	TC	2.52	2.70	2.86	2.99	3.09
	SC	1.66	1.78	1.88	1.85	1.90
	PI	0.83	0.84	0.84	0.85	0.85
30	TC	2.37	2.55	2.76	2.86	2.96
	SC	1.58	1.71	1.84	1.81	1.88
	PI	0.90	0.91	0.92	0.93	0.93
35	TC	2.18	2.37	2.60	2.73	2.83
	SC	1.49	1.62	1.77	1.75	1.82
	PI	0.97	0.98	1.00	1.01	1.01
40	TC	1.98	2.16	2.39	2.52	2.63
	SC	1.38	1.52	1.67	1.65	1.73
	PI	1.04	1.06	1.08	1.09	1.10
46	TC	1.72	1.90	2.13	2.26	2.37
	SC	1.26	1.39	1.57	1.54	1.61
	PI	1.15	1.16	1.18	1.20	1.21

LEGEND

- TC – Total Cooling Capacity, kW
- SC – Sensible Capacity, kW
- PI – Power Input, kW
- WB – Wet Bulb Temp., (°C)
- DB – Dry Bulb Temp., (°C)
- ID – Indoor
- OU – Outdoor

5.1.2 Heating Capacity (kW)

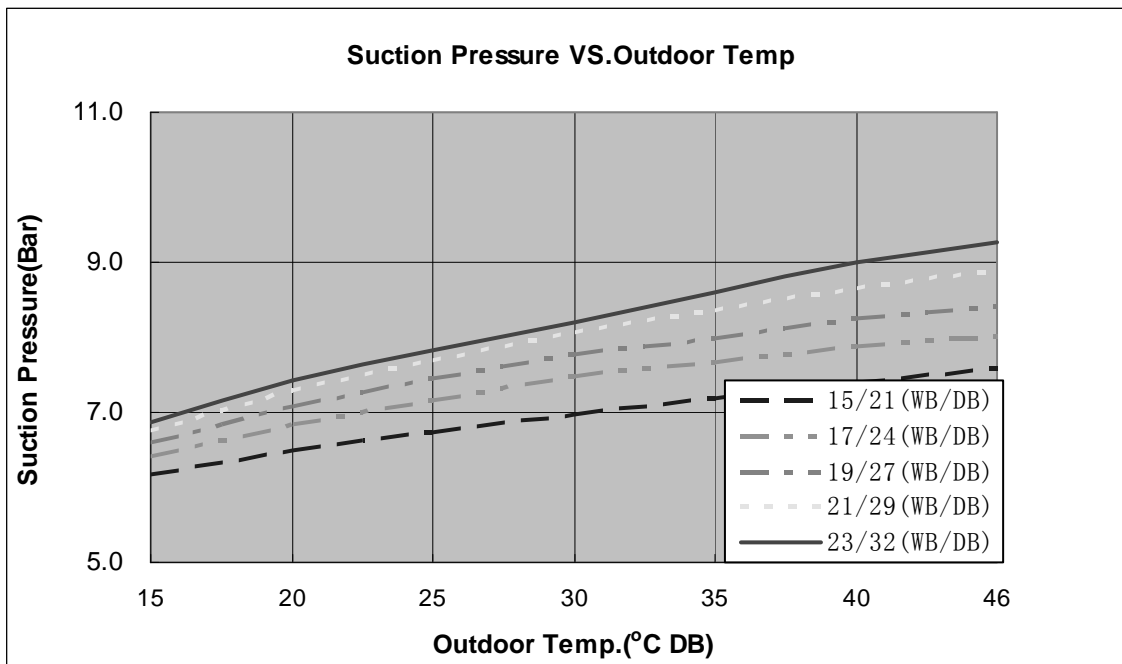
	ENTERING AIR DB ID COIL(°C)					
	15		20		25	
ENTERING WB OD COIL(°C)	TH	PI	TH	PI	TH	PI
-10	1.50	0.78	1.44	0.83	1.38	0.87
-7	1.61	0.80	1.55	0.84	1.50	0.88
-2	1.71	0.81	1.65	0.85	1.60	0.90
2	2.08	0.84	2.00	0.90	1.91	0.95
6	2.94	0.91	2.85	0.97	2.75	1.03
10	3.19	0.96	3.11	1.02	3.02	1.09
15	3.45	1.00	3.36	1.08	3.28	1.14
20	3.63	1.03	3.55	1.12	3.45	1.20

LEGEND

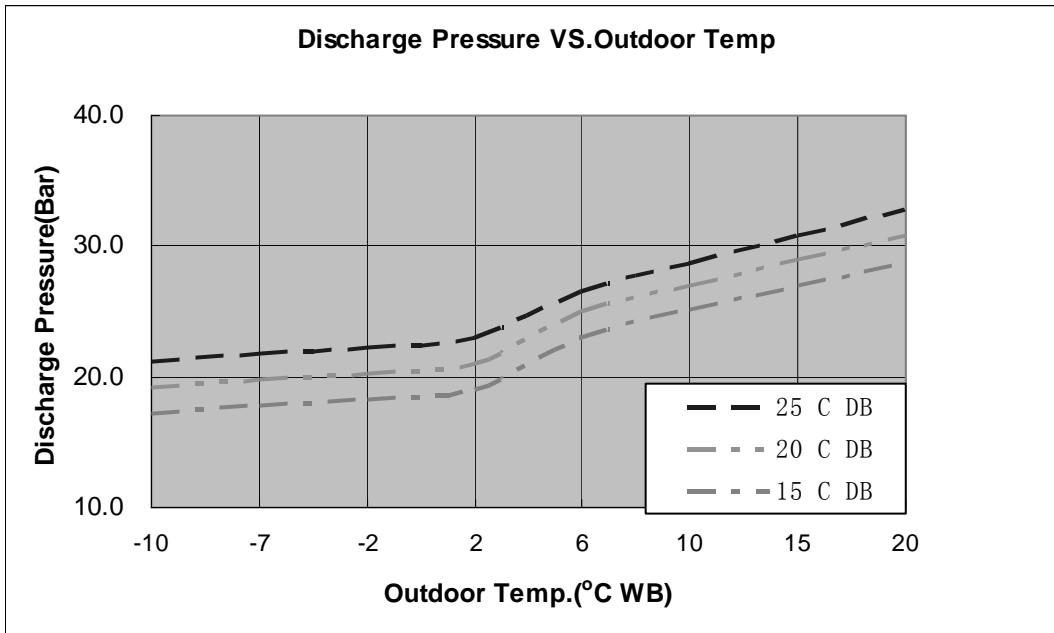
- TH – Total Heating Capacity, kW
- PI – Power Input, kW
- WB – Wet Bulb Temp., (°C)
- DB – Dry Bulb Temp., (°C)
- ID – Indoor
- OU – Outdoor

5.1.3 Curves

Cooling



Heating



5.2 YIF012

5.2.1 Cooling Capacity (kW)

Entering Air DB OD Coil(°C)	Data	Entering Air WB/DB ID Coil(°C)				
		15/21	17/24	19/27	21/29	23/32
15	TC	3.57	3.78	3.96	4.13	4.27
	SC	2.30	2.44	2.57	2.51	2.55
	PI	0.85	0.85	0.85	0.86	0.86
20	TC	3.54	3.75	3.92	4.10	4.24
	SC	2.52	2.68	2.83	2.75	2.81
	PI	0.92	0.93	0.93	0.94	0.94
25	TC	3.40	3.64	3.85	4.03	4.17
	SC	2.24	2.40	2.53	2.49	2.55
	PI	0.99	1.00	1.01	1.02	1.02
30	TC	3.19	3.43	3.71	3.85	3.99
	SC	2.13	2.30	2.48	2.43	2.53
	PI	1.08	1.09	1.10	1.11	1.11
35	TC	2.94	3.19	3.50	3.68	3.82
	SC	2.00	2.18	2.38	2.35	2.45
	PI	1.16	1.18	1.20	1.21	1.21
40	TC	2.66	2.91	3.22	3.40	3.54
	SC	1.86	2.05	2.25	2.22	2.32
	PI	1.25	1.27	1.29	1.31	1.32
46	TC	2.31	2.56	2.87	3.05	3.19
	SC	1.69	1.87	2.11	2.07	2.17
	PI	1.37	1.40	1.42	1.44	1.45

LEGEND

- TC – Total Cooling Capacity, kW
- SC – Sensible Capacity, kW
- PI – Power Input, kW
- WB – Wet Bulb Temp., (°C)
- DB – Dry Bulb Temp., (°C)
- ID – Indoor
- OU – Outdoor

5.2.2 Heating Capacity (kW)

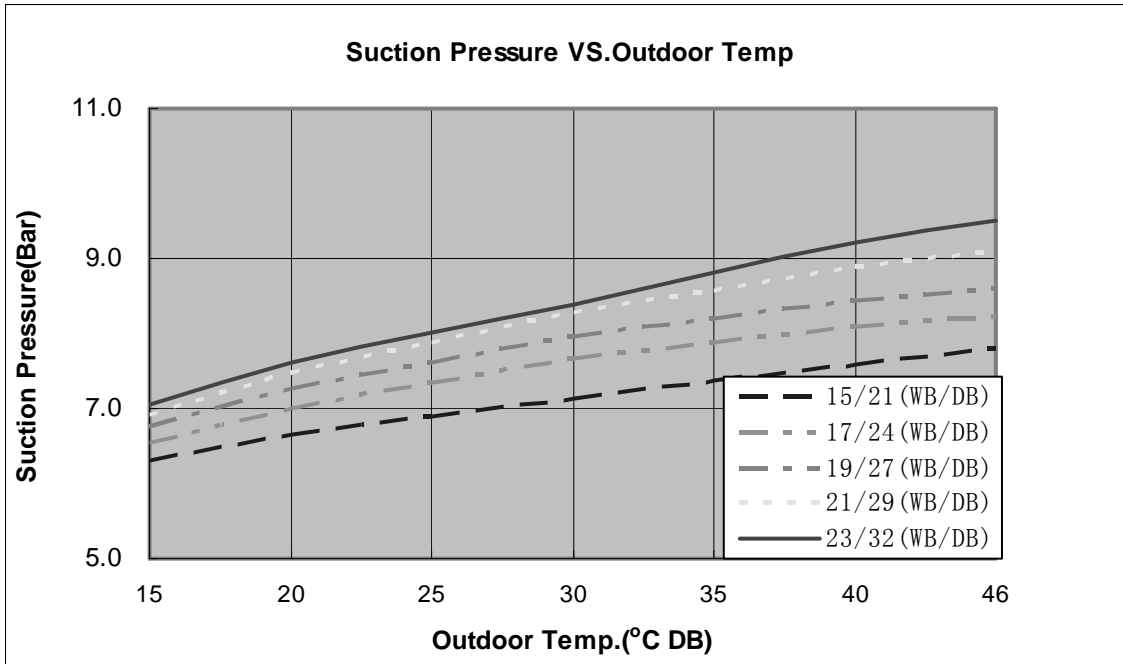
	ENTERING AIR DB ID COIL(°C)					
	15		20		25	
ENTERING WB OD COIL(°C)	TH	PI	TH	PI	TH	PI
-10	1.89	0.88	1.82	0.94	1.75	0.98
-7	2.03	0.90	1.96	0.95	1.89	1.00
-2	2.16	0.91	2.09	0.97	2.02	1.02
2	2.63	0.96	2.52	1.02	2.41	1.08
6	3.71	1.03	3.60	1.10	3.47	1.17
10	4.03	1.09	3.92	1.16	3.82	1.24
15	4.36	1.13	4.25	1.22	4.14	1.30
20	4.59	1.17	4.48	1.27	4.36	1.36

LEGEND

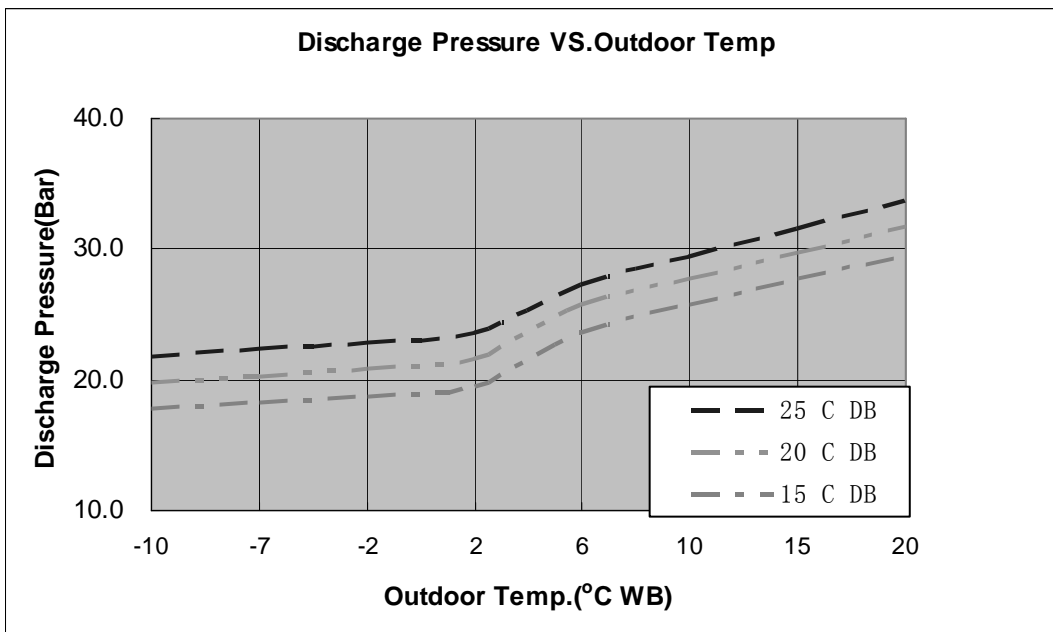
- TH – Total Heating Capacity, kW
- PI – Power Input, kW
- WB – Wet Bulb Temp., (°C)
- DB – Dry Bulb Temp., (°C)
- ID – Indoor
- OU – Outdoor

5.2.3 Curves

Cooling



Heating



5.3 YIF018

5.3.1 Cooling Capacity (kW)

Entering Air DB OD Coil(°C)	Data	Entering Air WB/DB ID Coil(°C)				
		15/21	17/24	19/27	21/29	23/32
15	TC	5.10	5.40	5.65	5.90	6.10
	SC	3.30	3.50	3.68	3.60	3.66
	PI	1.49	1.49	1.50	1.50	1.51
20	TC	5.05	5.35	5.60	5.85	6.05
	SC	3.60	3.83	4.04	3.93	4.01
	PI	1.61	1.62	1.63	1.64	1.64
25	TC	4.85	5.20	5.50	5.75	5.95
	SC	3.21	3.43	3.63	3.57	3.66
	PI	1.74	1.75	1.77	1.78	1.79
30	TC	4.55	4.90	5.30	5.50	5.70
	SC	3.05	3.29	3.55	3.48	3.62
	PI	1.88	1.90	1.93	1.94	1.95
35	TC	4.20	4.55	5.00	5.25	5.45
	SC	2.87	3.12	3.41	3.37	3.51
	PI	2.03	2.07	2.10	2.12	2.13
40	TC	3.80	4.15	4.60	4.85	5.05
	SC	2.66	2.93	3.23	3.18	3.33
	PI	2.19	2.23	2.27	2.29	2.31
46	TC	3.30	3.65	4.10	4.35	4.55
	SC	2.42	2.69	3.02	2.97	3.11
	PI	2.40	2.44	2.49	2.52	2.55

LEGEND

- TC – Total Cooling Capacity, kW
- SC – Sensible Capacity, kW
- PI – Power Input, kW
- WB – Wet Bulb Temp., (°C)
- DB – Dry Bulb Temp., (°C)
- ID – Indoor
- OU – Outdoor

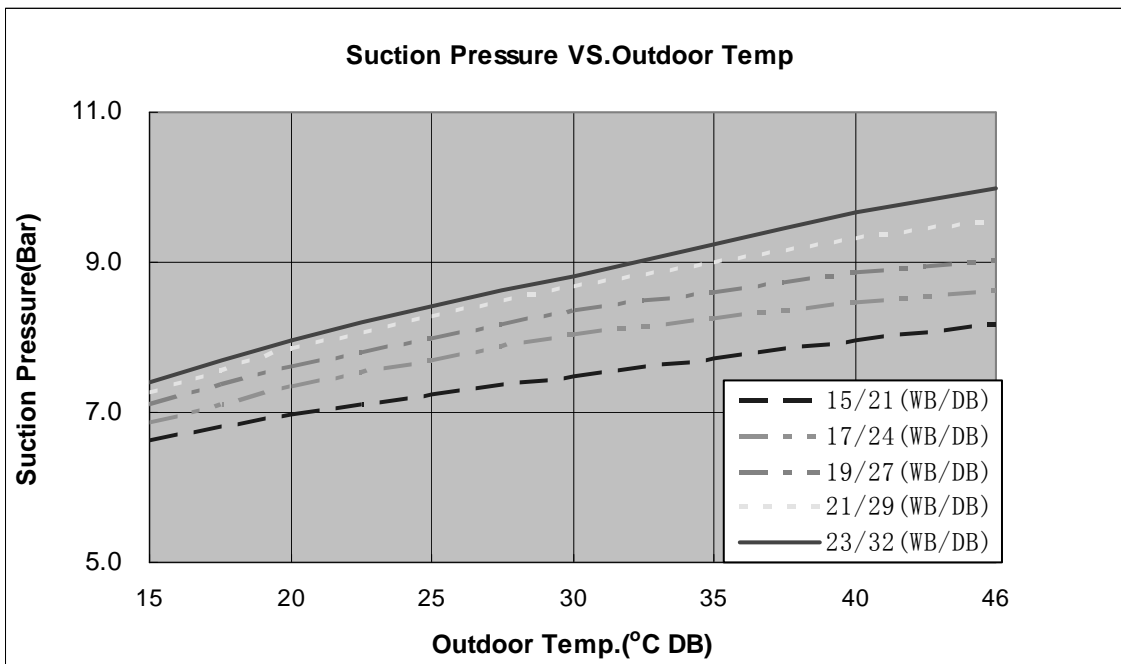
5.1.3 Heating Capacity (kW)

	ENTERING AIR DB ID COIL(°C)					
	15		20		25	
ENTERING WB OD COIL(°C)	TH	PI	TH	PI	TH	PI
-10	2.99	1.44	2.88	1.53	2.76	1.61
-7	3.22	1.48	3.11	1.56	2.99	1.64
-2	3.42	1.49	3.31	1.58	3.19	1.67
2	4.16	1.57	3.99	1.67	3.82	1.76
6	5.87	1.68	5.70	1.80	5.50	1.91
10	6.38	1.78	6.21	1.90	6.04	2.03
15	6.90	1.85	6.73	2.00	6.56	2.12
20	7.27	1.91	7.10	2.07	6.90	2.23

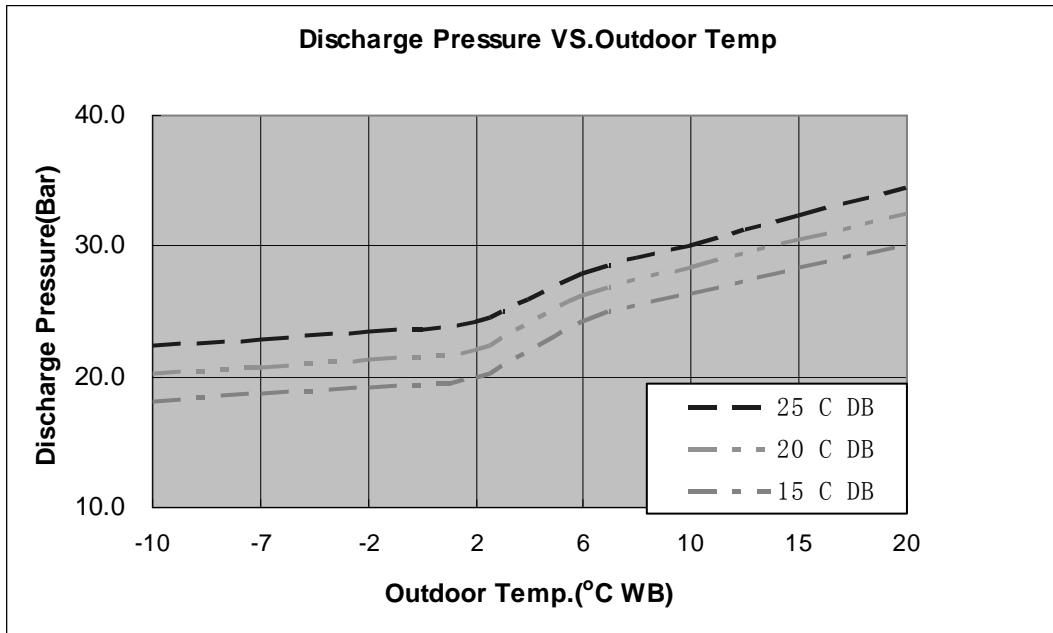
LEGEND

- TH – Total Heating Capacity, kW
- PI – Power Input, kW
- WB – Wet Bulb Temp., (°C)
- DB – Dry Bulb Temp., (°C)
- ID – Indoor
- OU – Outdoor

5.1.4 Curves
Cooling



Heating



5.4 YIF024

5.4.1 Cooling Capacity (kW)

Entering Air DB OD Coil(°C)	Data	Entering Air WB/DB ID Coil(°C)				
		15/21	17/24	19/27	21/29	23/32
15	TC	7.14	7.56	7.91	8.26	8.54
	SC	4.61	4.89	5.15	5.03	5.12
	PI	1.89	1.89	1.89	1.90	1.91
20	TC	7.07	7.49	7.84	8.19	8.47
	SC	5.04	5.36	5.66	5.50	5.62
	PI	2.04	2.05	2.06	2.07	2.08
25	TC	6.79	7.28	7.70	8.05	8.33
	SC	4.48	4.80	5.08	4.99	5.12
	PI	2.20	2.22	2.24	2.26	2.26
30	TC	6.37	6.86	7.42	7.70	7.98
	SC	4.26	4.60	4.97	4.87	5.07
	PI	2.38	2.41	2.44	2.46	2.47
35	TC	5.88	6.37	7.00	7.35	7.63
	SC	4.01	4.36	4.77	4.71	4.91
	PI	2.58	2.62	2.66	2.68	2.69
40	TC	5.32	5.81	6.44	6.79	7.07
	SC	3.73	4.10	4.51	4.44	4.66
	PI	2.78	2.82	2.87	2.90	2.92
46	TC	4.62	5.11	5.74	6.09	6.37
	SC	3.39	3.76	4.23	4.15	4.35
	PI	3.05	3.10	3.15	3.19	3.22

LEGEND

- TC – Total Cooling Capacity, kW
- SC – Sensible Capacity, kW
- PI – Power Input, kW
- WB – Wet Bulb Temp., (°C)
- DB – Dry Bulb Temp., (°C)
- ID – Indoor
- OU – Outdoor

5.4.2 Heating Capacity (kW)

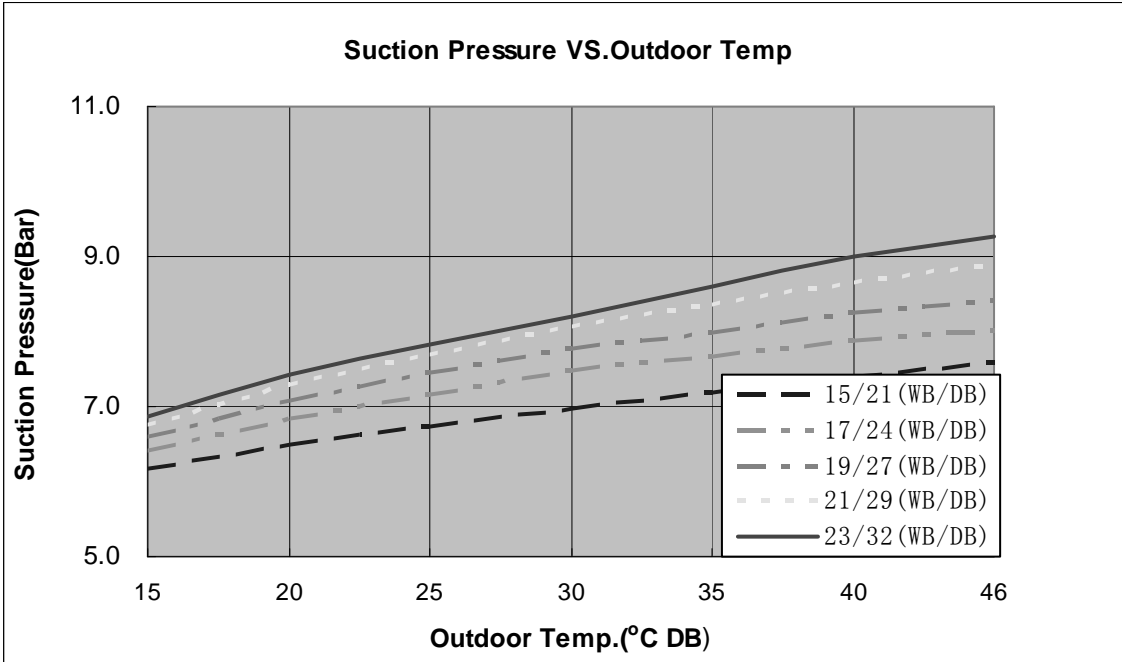
	ENTERING AIR DB ID COIL(°C)					
	15		20		25	
ENTERING WB OD COIL(°C)	TH	PI	TH	PI	TH	PI
-10	4.20	2.01	4.04	2.14	3.88	2.25
-7	4.52	2.06	4.36	2.17	4.20	2.29
-2	4.80	2.08	4.64	2.21	4.48	2.33
2	5.84	2.18	5.60	2.32	5.36	2.46
6	8.24	2.35	8.00	2.51	7.72	2.67
10	8.96	2.48	8.72	2.65	8.48	2.83
15	9.68	2.59	9.44	2.79	9.20	2.96
20	10.20	2.66	9.96	2.89	9.68	3.11

LEGEND

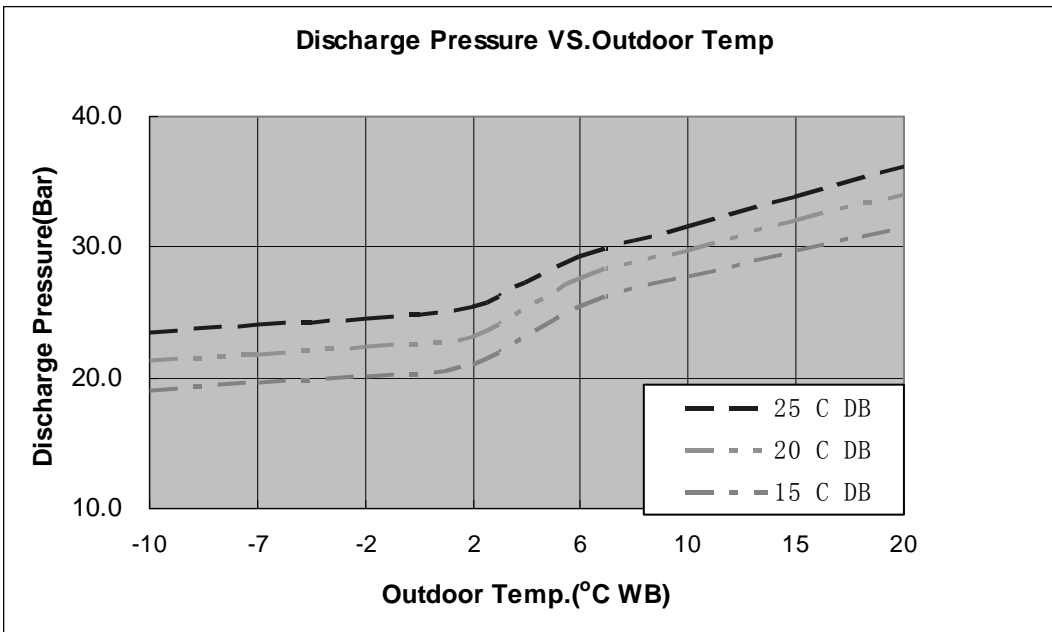
- TH – Total Heating Capacity, kW
- PI – Power Input, kW
- WB – Wet Bulb Temp., (°C)
- DB – Dry Bulb Temp., (°C)
- ID – Indoor
- OU – Outdoor

5.4.3 Curves

Cooling



Heating



5.5 YIF030

5.5.1 Cooling Capacity (kW)

Entering Air DB OD Coil(°C)	Data	Entering Air WB/DB ID Coil(°C)				
		15/21	17/24	19/27	21/29	23/32
15	TC	8.47	8.96	9.38	9.79	10.13
	SC	5.46	5.79	6.10	5.96	6.06
	PI	2.13	2.13	2.14	2.15	2.15
20	TC	8.38	8.88	9.30	9.71	10.04
	SC	5.98	6.35	6.71	6.52	6.66
	PI	2.30	2.31	2.33	2.34	2.35
25	TC	8.05	8.63	9.13	9.55	9.88
	SC	5.31	5.69	6.02	5.91	6.06
	PI	2.48	2.51	2.53	2.55	2.55
30	TC	7.55	8.13	8.80	9.13	9.46
	SC	5.05	5.45	5.89	5.77	6.00
	PI	2.69	2.72	2.76	2.78	2.79
35	TC	6.97	7.55	8.30	8.72	9.05
	SC	4.75	5.17	5.65	5.58	5.81
	PI	2.91	2.95	3.00	3.02	3.04
40	TC	6.31	6.89	7.64	8.05	8.38
	SC	4.41	4.86	5.34	5.26	5.52
	PI	3.13	3.18	3.24	3.27	3.29
46	TC	5.48	6.06	6.81	7.22	7.55
	SC	4.01	4.45	5.01	4.92	5.15
	PI	3.44	3.49	3.55	3.60	3.64

LEGEND

- TC – Total Cooling Capacity, kW
- SC – Sensible Capacity, kW
- PI – Power Input, kW
- WB – Wet Bulb Temp., (°C)
- DB – Dry Bulb Temp., (°C)
- ID – Indoor
- OU – Outdoor

5.5.2 Heating Capacity (kW)

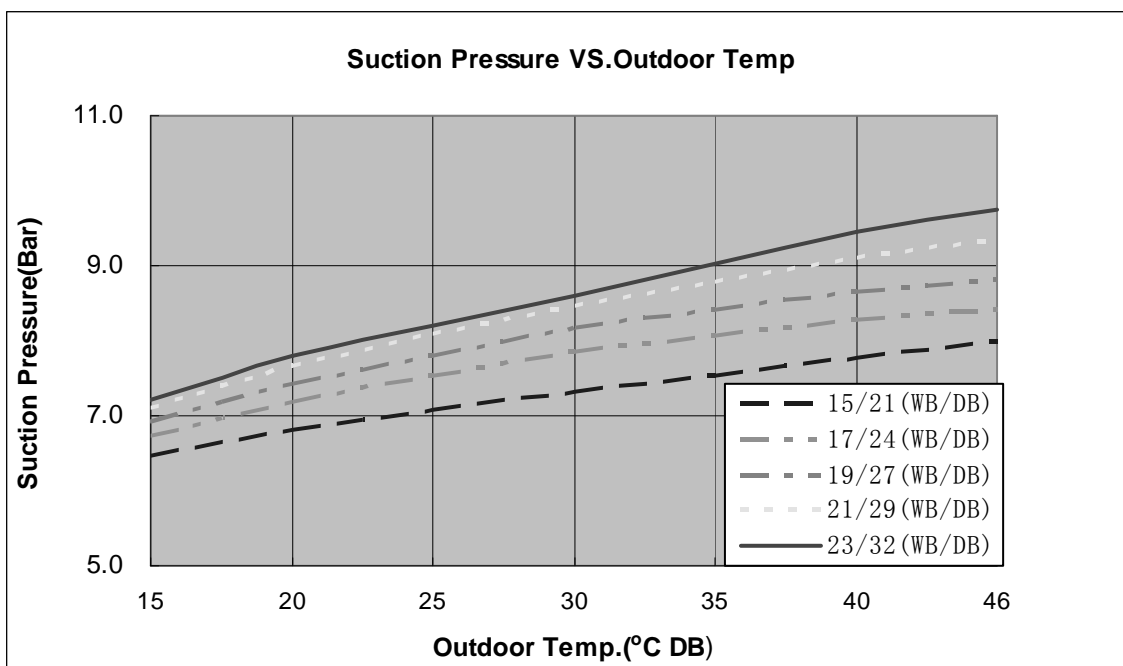
	ENTERING AIR DB ID COIL(°C)					
	15		20		25	
ENTERING WB OD COIL(°C)	TH	PI	TH	PI	TH	PI
-10	4.25	2.40	4.09	2.56	3.93	2.69
-7	4.58	2.46	4.41	2.60	4.25	2.74
-2	4.86	2.49	4.70	2.64	4.54	2.79
2	5.91	2.61	5.67	2.78	5.43	2.94
6	8.34	2.81	8.10	3.00	7.82	3.19
10	9.07	2.96	8.83	3.17	8.59	3.38
15	9.80	3.09	9.56	3.33	9.32	3.54
20	10.33	3.18	10.08	3.45	9.80	3.72

LEGEND

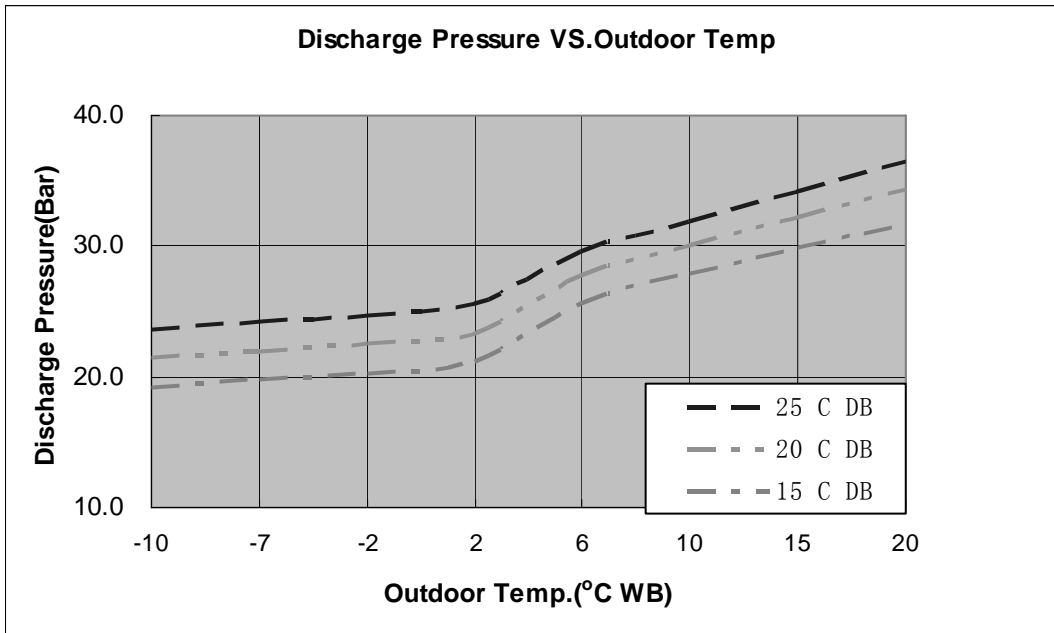
- TH – Total Heating Capacity, kW
- PI – Power Input, kW
- WB – Wet Bulb Temp., (°C)
- DB – Dry Bulb Temp., (°C)
- ID – Indoor
- OU – Outdoor

5.5.3 Curves

Cooling



Heating



5.6 YIF036

5.6.1 Cooling Capacity (kW)

Entering Air DB OD Coil(°C)	Data	Entering Air WB/DB ID Coil(°C)				
		15/21	17/24	19/27	21/29	23/32
15	TC	10.20	10.80	11.30	11.80	12.20
	SC	6.58	6.98	7.36	7.19	7.31
	PI	2.84	2.84	2.85	2.86	2.87
20	TC	10.10	10.70	11.20	11.70	12.10
	SC	7.20	7.65	8.09	7.85	8.02
	PI	3.07	3.08	3.10	3.12	3.13
25	TC	9.70	10.40	11.00	11.50	11.90
	SC	6.40	6.86	7.25	7.12	7.30
	PI	3.31	3.34	3.37	3.40	3.40
30	TC	9.10	9.80	10.60	11.00	11.40
	SC	6.08	6.57	7.09	6.95	7.23
	PI	3.58	3.63	3.68	3.70	3.72
35	TC	8.40	9.10	10.00	10.50	10.90
	SC	5.73	6.23	6.81	6.73	7.01
	PI	3.88	3.94	4.00	4.03	4.05
40	TC	7.60	8.30	9.20	9.70	10.10
	SC	5.32	5.86	6.44	6.34	6.65
	PI	4.18	4.24	4.32	4.36	4.39
46	TC	6.60	7.30	8.20	8.70	9.10
	SC	4.84	5.36	6.04	5.92	6.21
	PI	4.58	4.66	4.74	4.80	4.85

LEGEND

- TC – Total Cooling Capacity, kW
- SC – Sensible Capacity, kW
- PI – Power Input, kW
- WB – Wet Bulb Temp., (°C)
- DB – Dry Bulb Temp., (°C)
- ID – Indoor
- OU – Outdoor

5.6.2 Heating Capacity (kW)

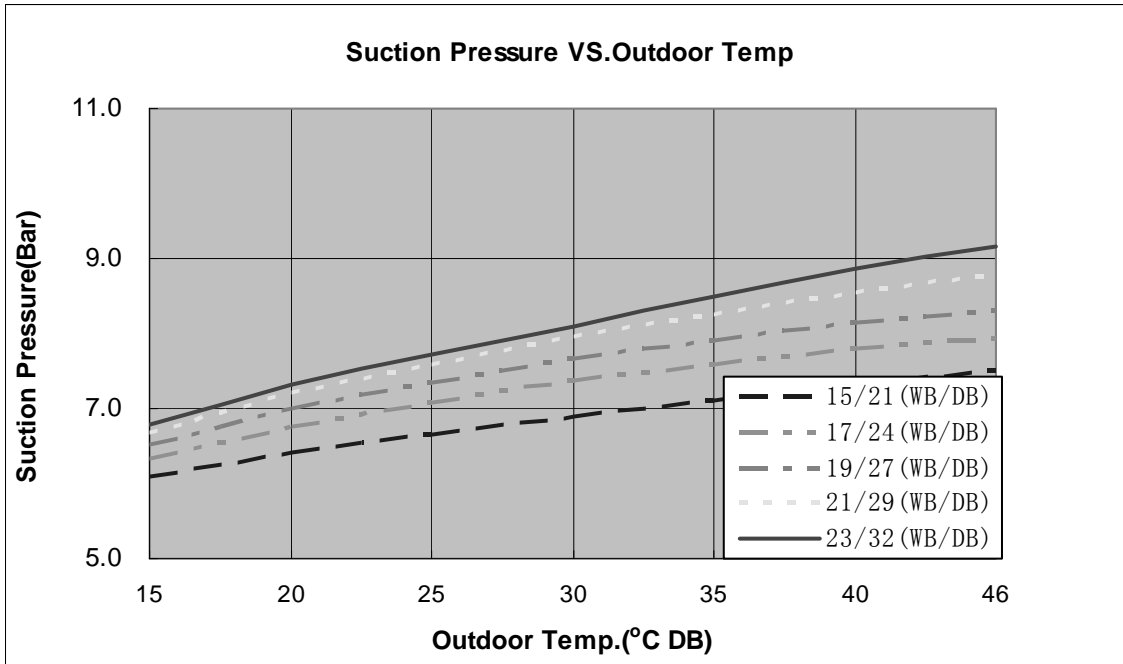
	ENTERING AIR DB ID COIL(°C)					
	15		20		25	
ENTERING WB OD COIL(°C)	TH	PI	TH	PI	TH	PI
-10	5.78	2.80	5.56	2.98	5.34	3.13
-7	6.22	2.87	6.00	3.03	5.78	3.19
-2	6.60	2.91	6.38	3.08	6.16	3.26
2	8.03	3.05	7.70	3.24	7.37	3.43
6	11.33	3.27	11.00	3.50	10.62	3.72
10	12.32	3.45	11.99	3.69	11.66	3.95
15	13.31	3.61	12.98	3.89	12.65	4.13
20	14.03	3.71	13.70	4.03	13.31	4.34

LEGEND

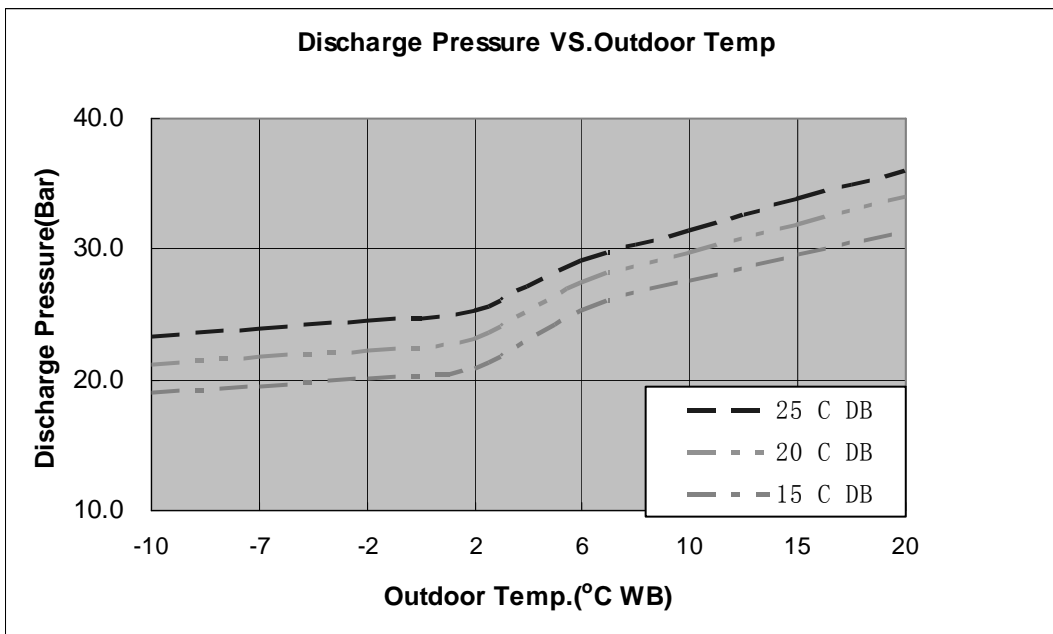
- TH – Total Heating Capacity, kW
- PI – Power Input, kW
- WB – Wet Bulb Temp., (°C)
- DB – Dry Bulb Temp., (°C)
- ID – Indoor
- OU – Outdoor

5.6.3 Curves

Cooling



Heating



5.7 YIF042

5.7.1 Cooling Capacity (kW)

Entering Air DB OD Coil(°C)	Data	Entering Air WB/DB ID Coil(°C)				
		15/21	17/24	19/27	21/29	23/32
15	TC	12.24	12.96	13.56	14.16	14.64
	SC	7.90	8.38	8.83	8.62	8.77
	PI	3.76	3.77	3.77	3.79	3.81
20	TC	12.12	12.84	13.44	14.04	14.52
	SC	8.64	9.18	9.70	9.42	9.63
	PI	4.07	4.09	4.11	4.13	4.14
25	TC	11.64	12.48	13.20	13.80	14.28
	SC	7.68	8.22	8.70	8.54	8.76
	PI	4.39	4.43	4.47	4.50	4.51
30	TC	10.92	11.76	12.72	13.20	13.68
	SC	7.30	7.88	8.51	8.34	8.68
	PI	4.75	4.81	4.87	4.91	4.92
35	TC	10.08	10.92	12.00	12.60	13.08
	SC	6.87	7.47	8.17	8.07	8.41
	PI	5.14	5.22	5.30	5.34	5.36
40	TC	9.12	9.96	11.04	11.64	12.12
	SC	6.38	7.03	7.73	7.61	7.98
	PI	5.53	5.62	5.72	5.78	5.82
46	TC	7.92	8.76	9.84	10.44	10.92
	SC	5.80	6.43	7.25	7.11	7.44
	PI	6.07	6.17	6.28	6.36	6.42

LEGEND

- TC – Total Cooling Capacity, kW
- SC – Sensible Capacity, kW
- PI – Power Input, kW
- WB – Wet Bulb Temp., (°C)
- DB – Dry Bulb Temp., (°C)
- ID – Indoor
- OU – Outdoor

5.7.2 Heating Capacity (kW)

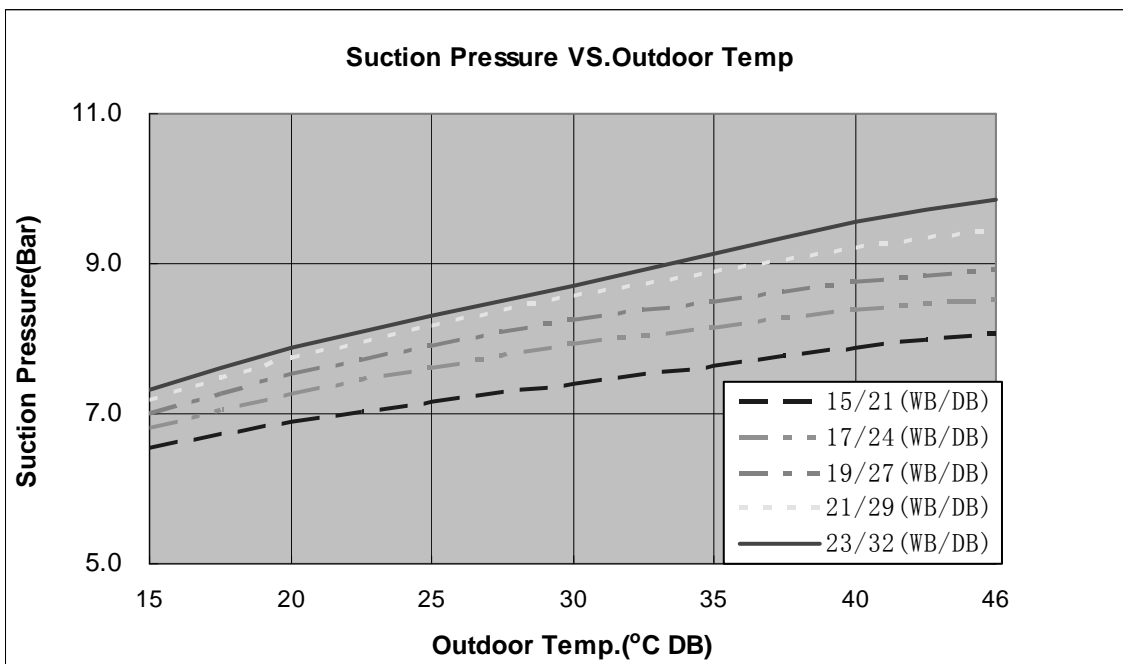
ENTERING WB OD COIL(°C)	ENTERING AIR DB ID COIL(°C)					
	15		20		25	
	TH	PI	TH	PI	TH	PI
-10	7.35	3.92	7.07	4.17	6.79	4.39
-7	7.91	4.02	7.63	4.24	7.35	4.47
-2	8.40	4.07	8.12	4.31	7.84	4.56
2	10.22	4.26	9.80	4.53	9.38	4.80
6	14.42	4.58	14.00	4.90	13.51	5.20
10	15.68	4.84	15.26	5.17	14.84	5.53
15	16.94	5.05	16.52	5.44	16.10	5.78
20	17.85	5.19	17.43	5.64	16.94	6.08

LEGEND

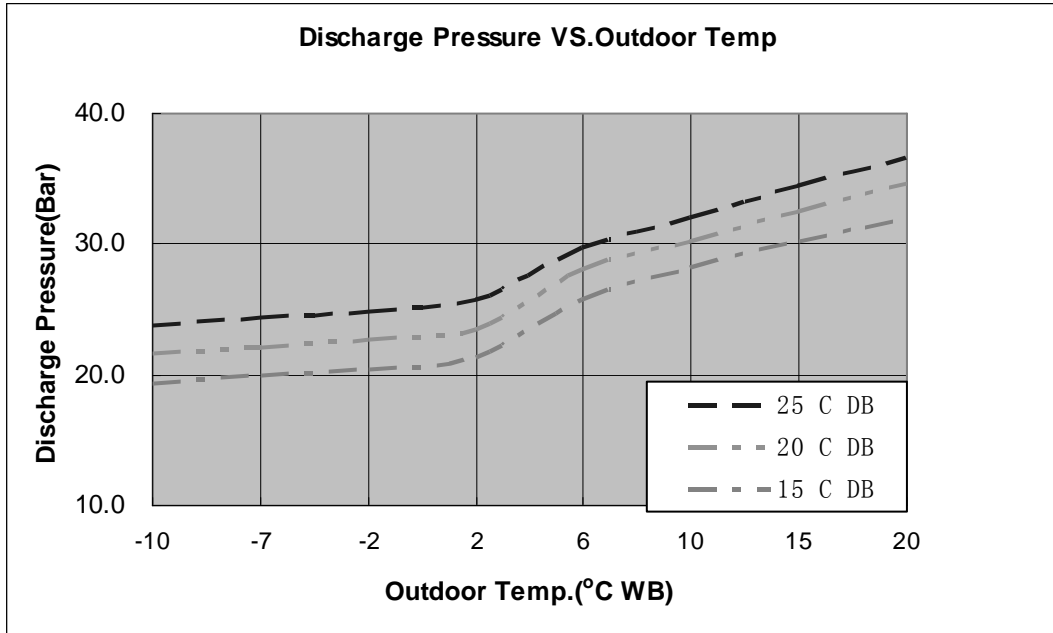
- TH – Total Heating Capacity, kW
- PI – Power Input, kW
- WB – Wet Bulb Temp., (°C)
- DB – Dry Bulb Temp., (°C)
- ID – Indoor
- OU – Outdoor

5.7.3 Curves

Cooling



Heating



5.8 YIF060

5.8.1 Cooling Capacity (kW)

Entering Air DB OD Coil(°C)	Data	Entering Air WB/DB ID Coil(°C)				
		15/21	17/24	19/27	21/29	23/32
15	TC	16.32	17.28	18.08	18.88	19.52
	SC	10.54	11.17	11.77	11.51	11.70
	PI	4.62	4.62	4.63	4.65	4.67
20	TC	16.16	17.12	17.92	18.72	19.36
	SC	11.52	12.24	12.94	12.56	12.84
	PI	4.99	5.01	5.04	5.07	5.08
25	TC	15.52	16.64	17.60	18.40	19.04
	SC	10.25	10.97	11.61	11.40	11.69
	PI	5.38	5.43	5.48	5.52	5.53
30	TC	14.56	15.68	16.96	17.60	18.24
	SC	9.73	10.51	11.35	11.13	11.58
	PI	5.82	5.90	5.97	6.02	6.04
35	TC	13.44	14.56	16.00	16.80	17.44
	SC	9.17	9.97	10.90	10.77	11.21
	PI	6.30	6.40	6.50	6.55	6.58
40	TC	12.16	13.28	14.72	15.52	16.16
	SC	8.52	9.37	10.31	10.15	10.64
	PI	6.79	6.89	7.01	7.09	7.14
46	TC	10.56	11.68	13.12	13.92	14.56
	SC	7.74	8.58	9.67	9.48	9.93
	PI	7.44	7.57	7.70	7.80	7.88

LEGEND

- TC – Total Cooling Capacity, kW
- SC – Sensible Capacity, kW
- PI – Power Input, kW
- WB – Wet Bulb Temp., (°C)
- DB – Dry Bulb Temp., (°C)
- ID – Indoor
- OU – Outdoor

5.8.2 Heating Capacity (kW)

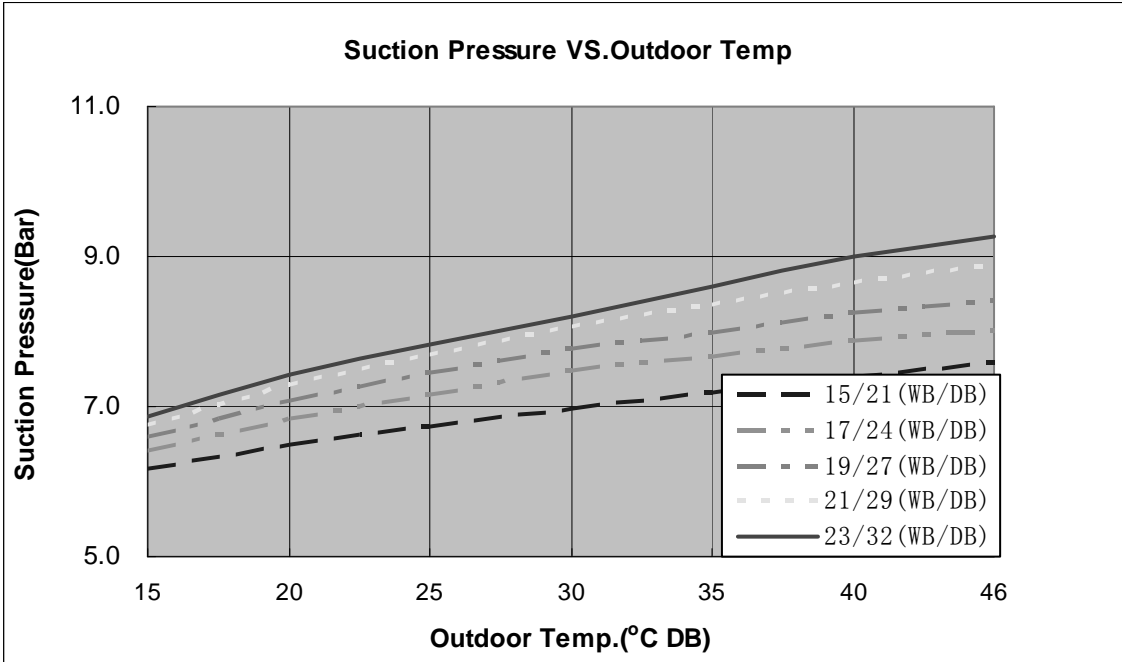
ENTERING WB OD COIL(°C)	ENTERING AIR DB ID COIL(°C)					
	15		20		25	
	TH	PI	TH	PI	TH	PI
-10	9.71	4.40	9.34	4.69	8.97	4.92
-7	10.45	4.51	10.08	4.76	9.71	5.02
-2	11.10	4.57	10.73	4.84	10.36	5.12
2	13.51	4.79	12.95	5.09	12.40	5.39
6	19.06	5.14	18.50	5.50	17.85	5.84
10	20.72	5.43	20.17	5.80	19.61	6.20
15	22.39	5.67	21.83	6.11	21.28	6.49
20	23.59	5.83	23.03	6.33	22.39	6.82

LEGEND

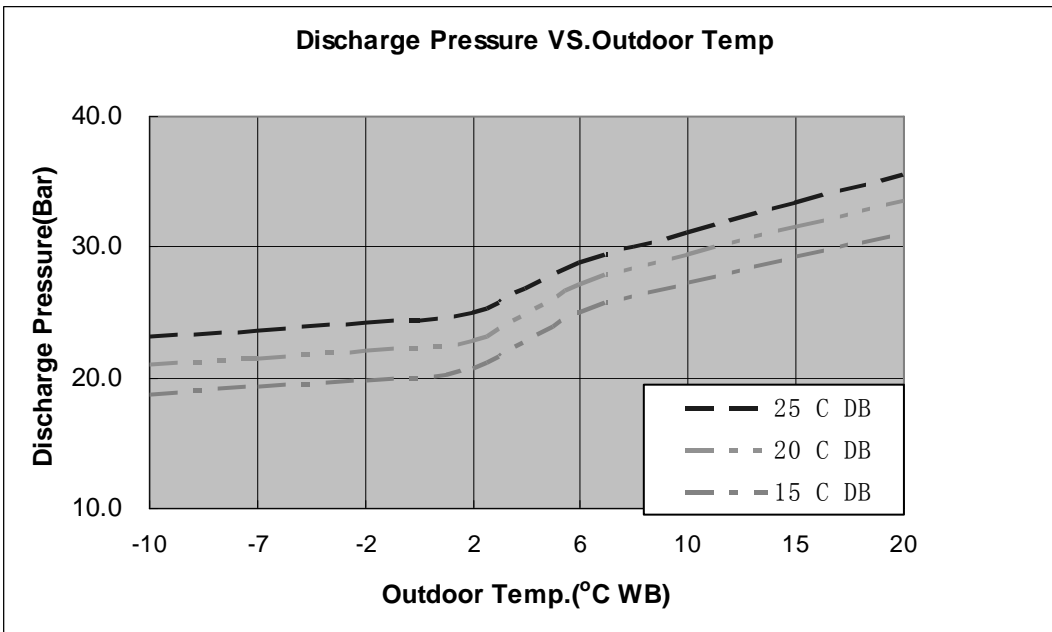
- TH – Total Heating Capacity, kW
- PI – Power Input, kW
- WB – Wet Bulb Temp., (°C)
- DB – Dry Bulb Temp., (°C)
- ID – Indoor
- OU – Outdoor

5.8.3 Curves

Cooling

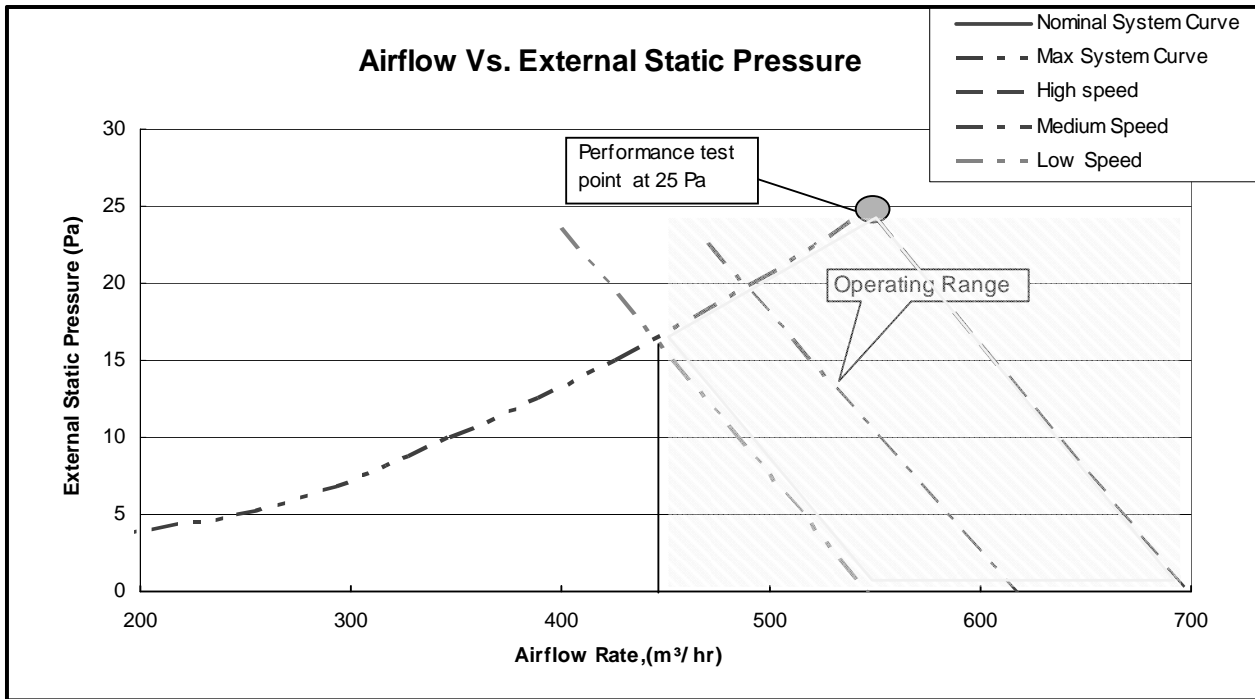


Heating

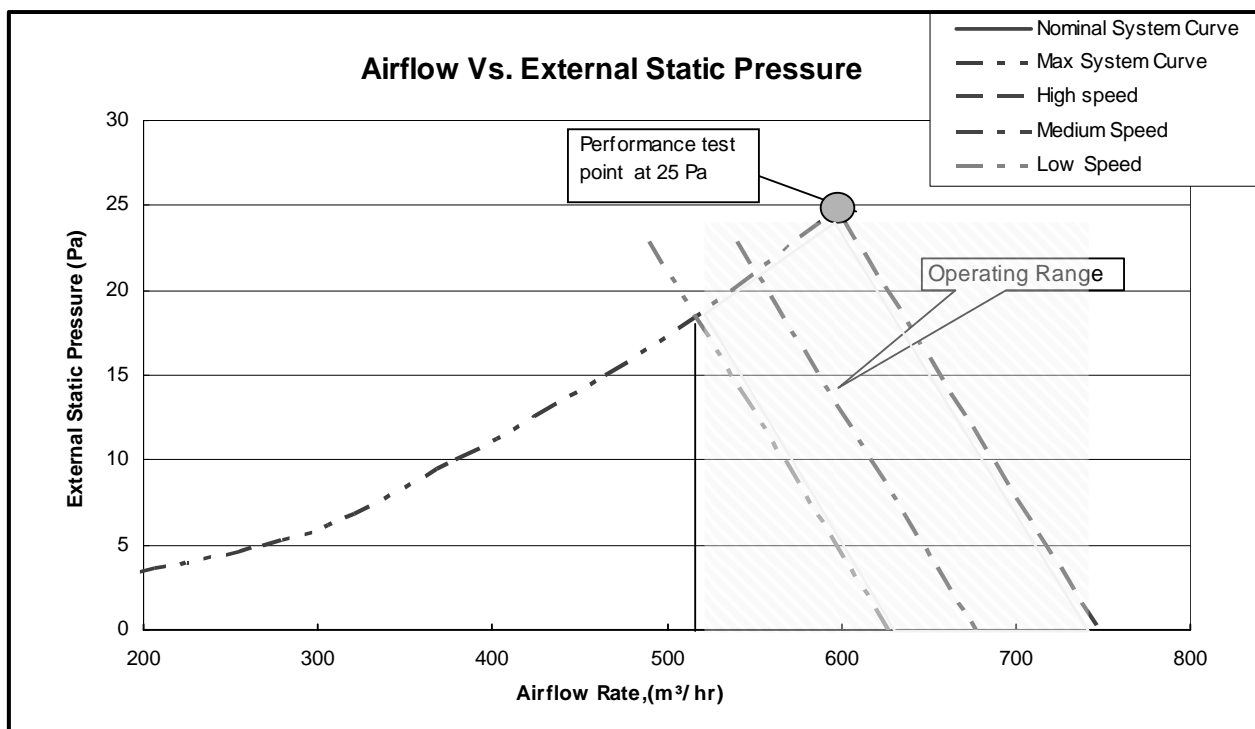


6. AIRFLOW CURVES

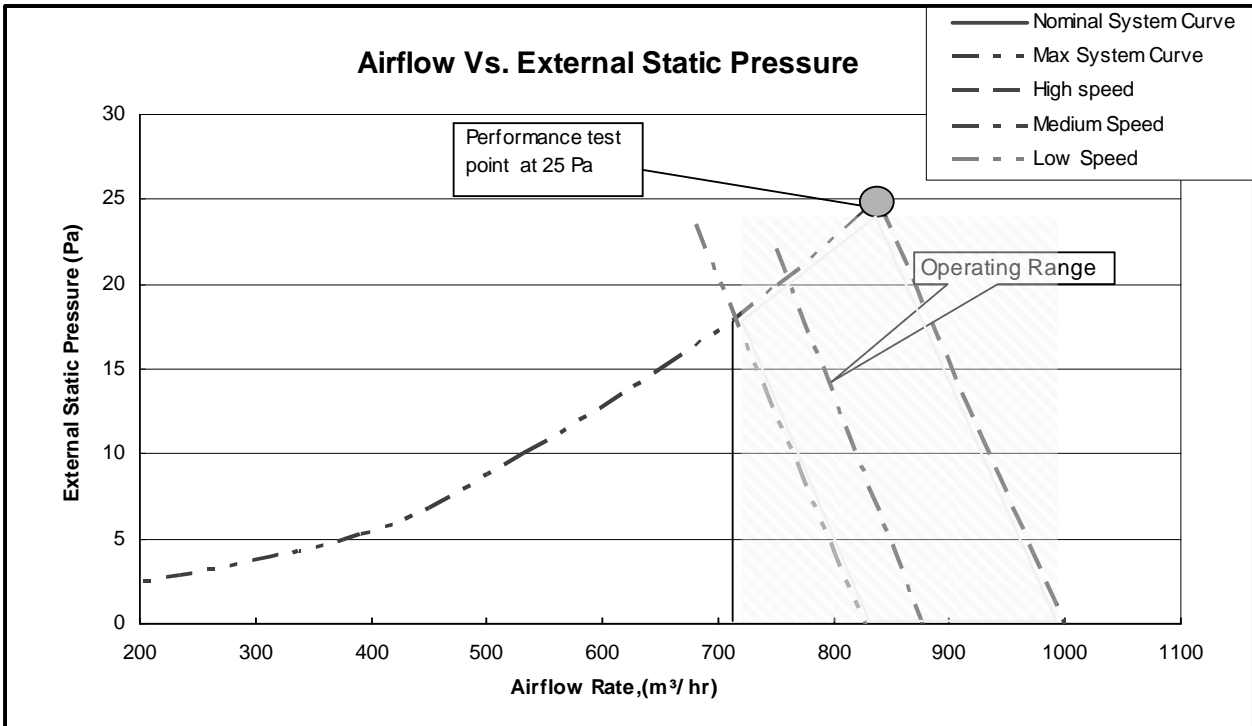
6.1 DAF009



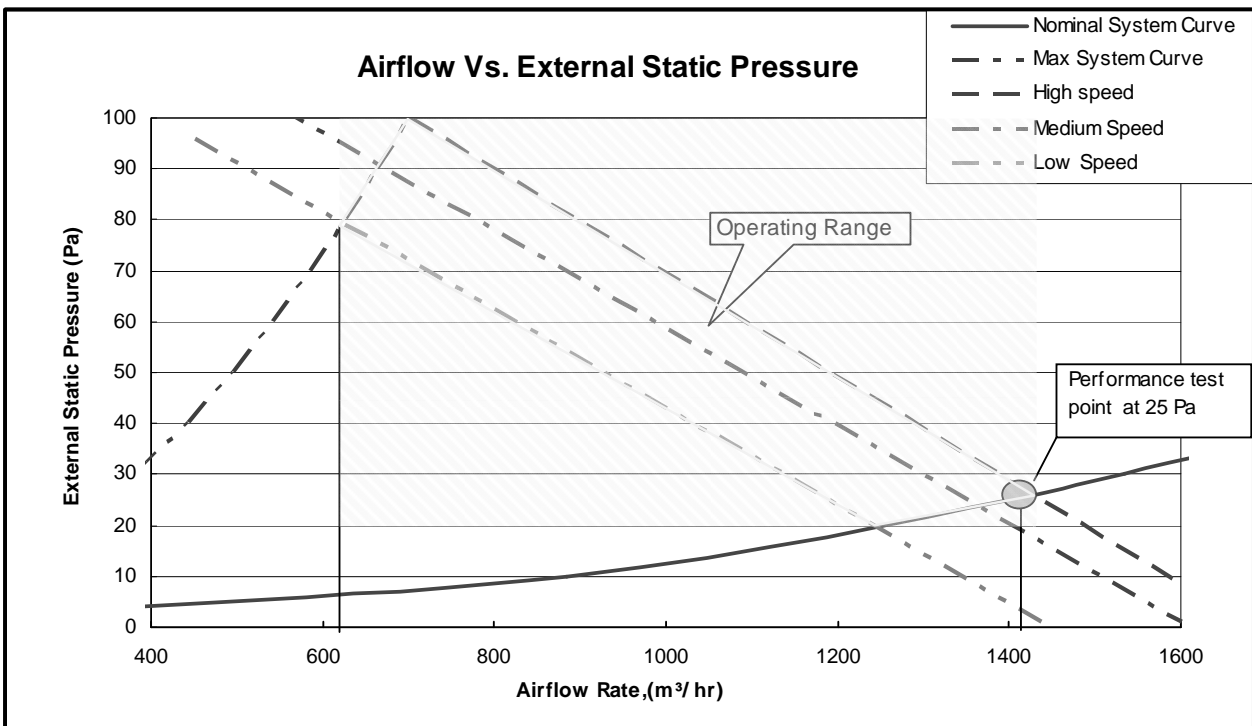
6.2 Model: DAF012



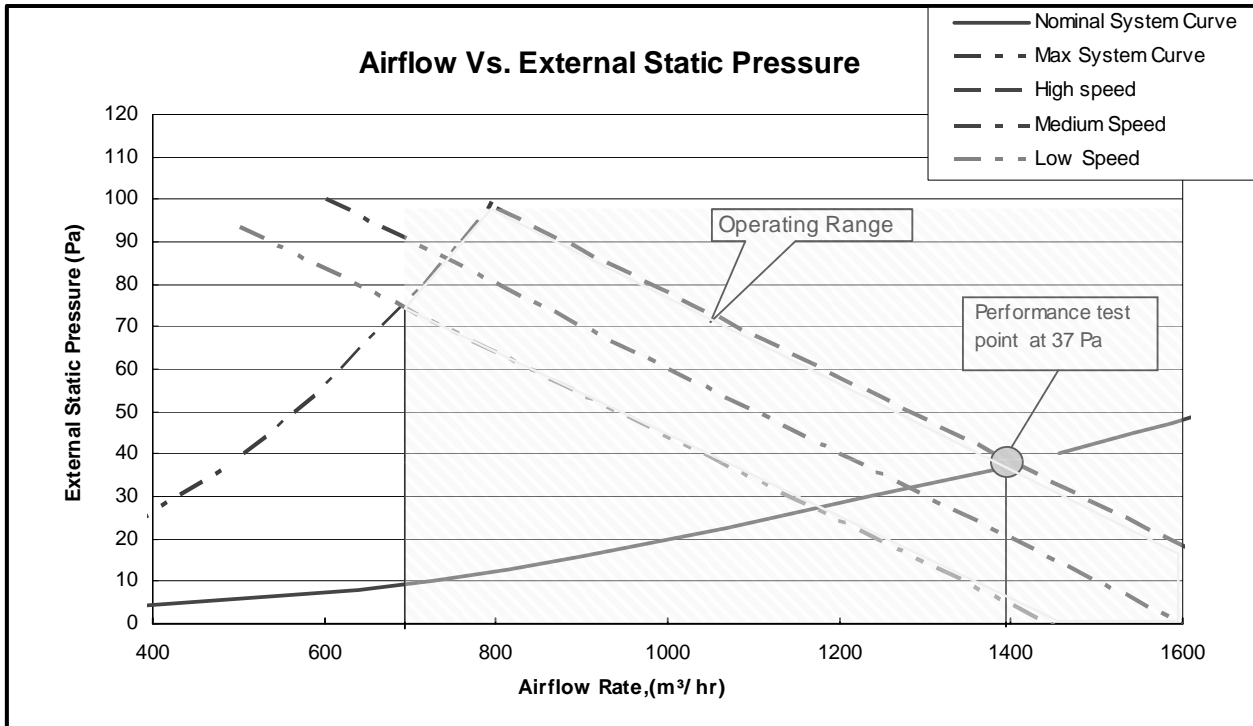
6.3 Model: DAF018



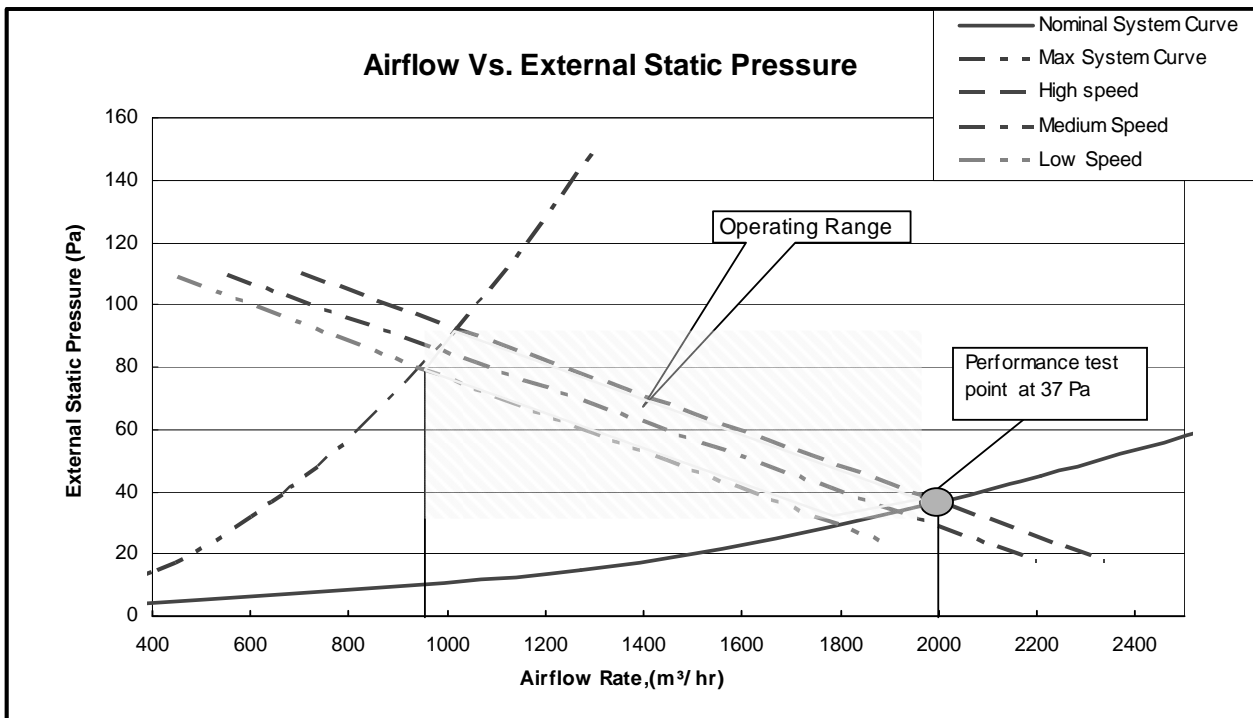
6.4 Model: DAF024



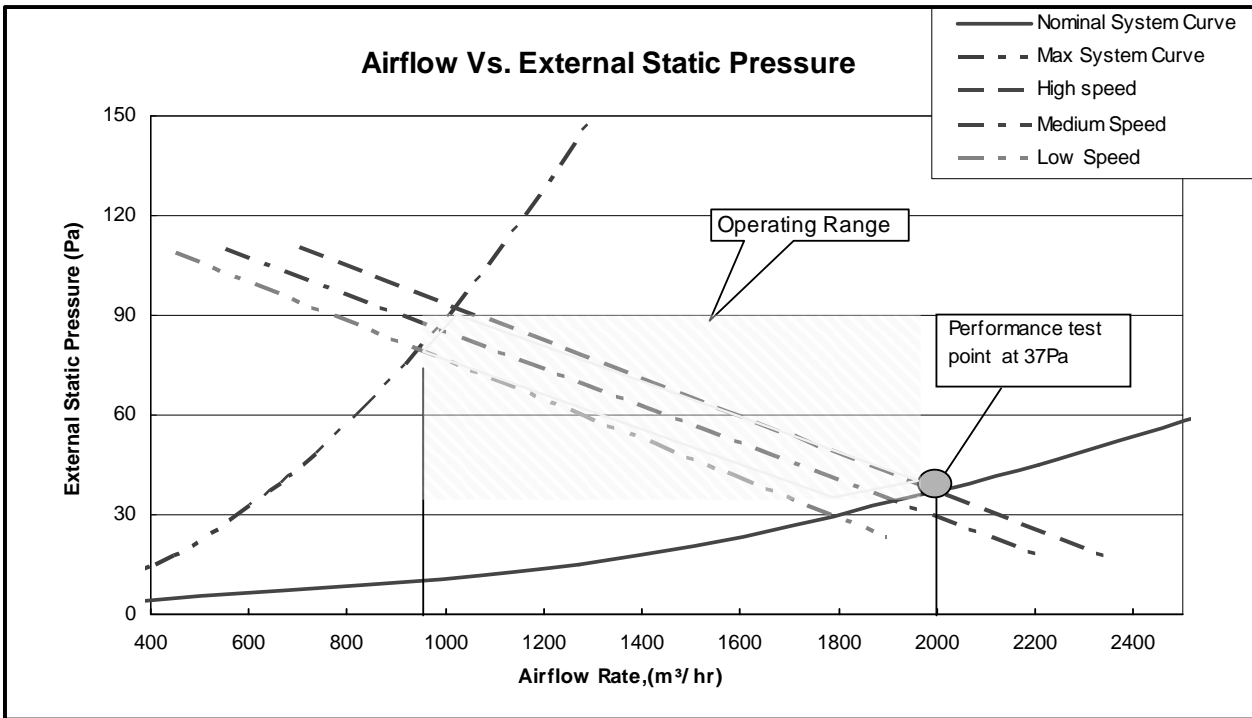
6.5 Model: DAF030



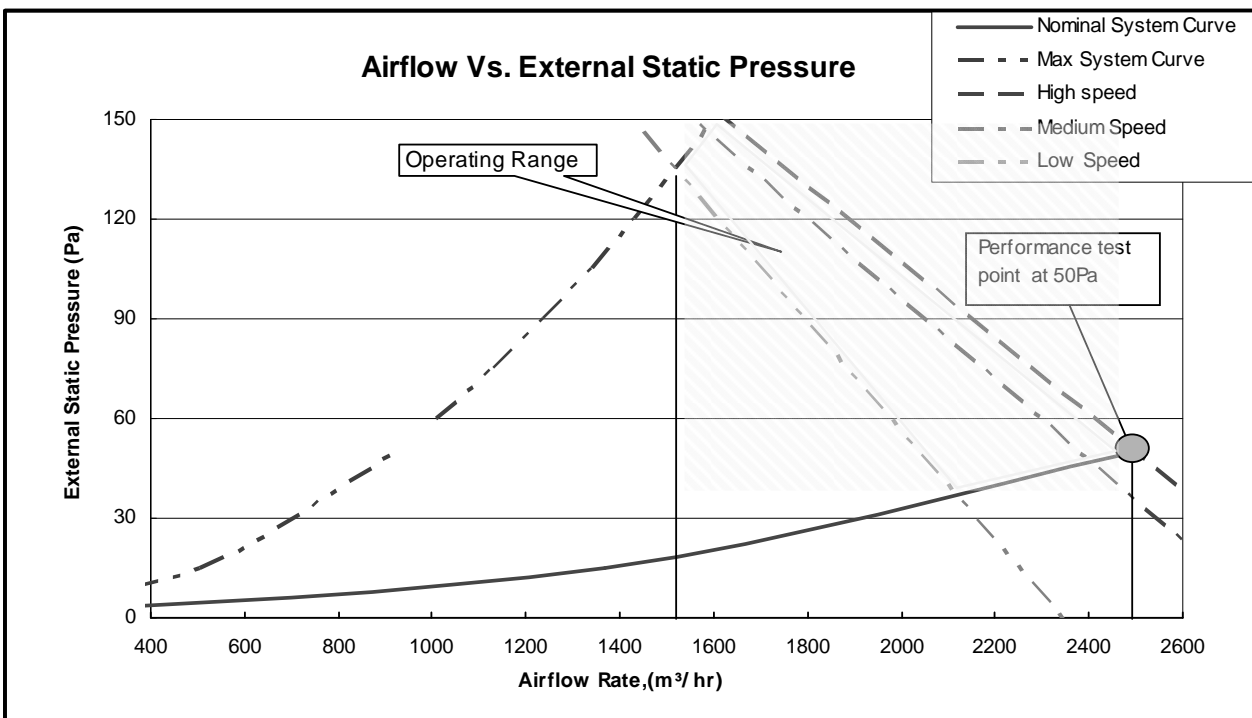
6.6 Model: DAF036



6.7 Model: DAF042



6.8 Model: DAF060



7. SOUND LEVEL CHARACTERISTICS

7.1 Sound Pressure Level

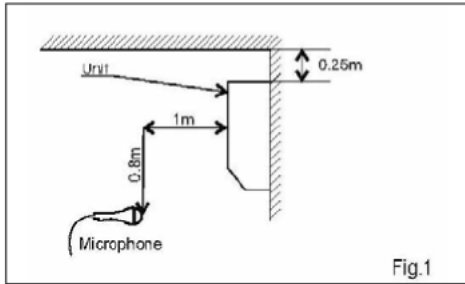


Figure 1. Wall Mounted

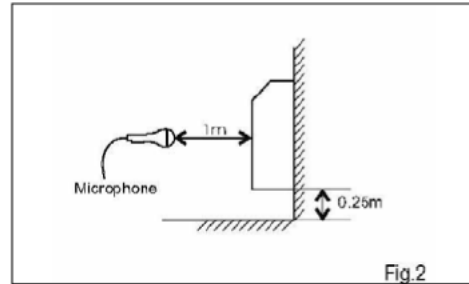


Figure 2. Floor Mounted

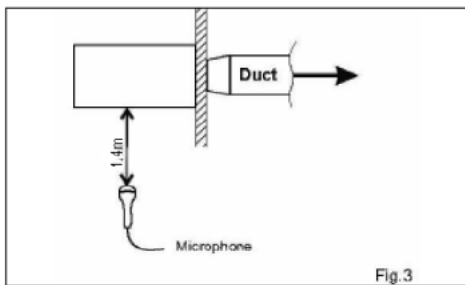


Figure 3. Ducted

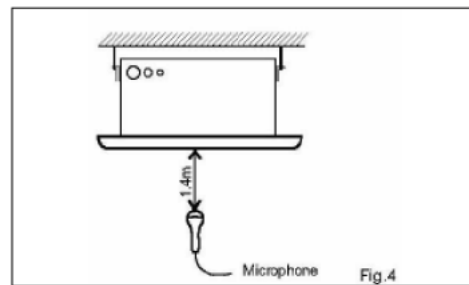
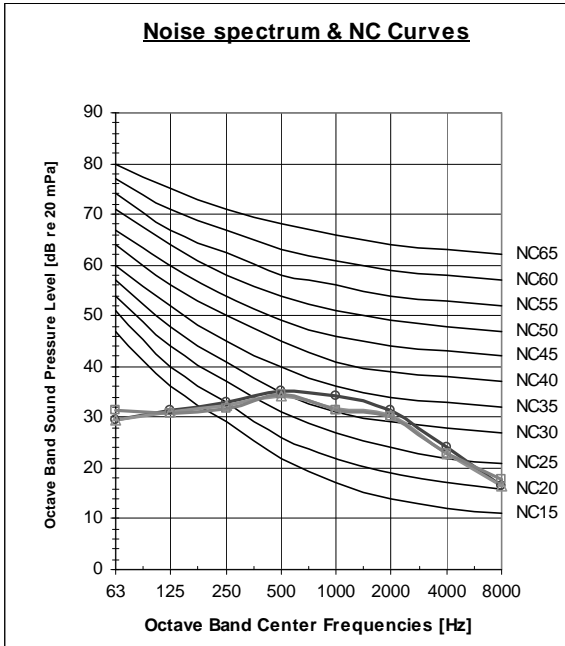


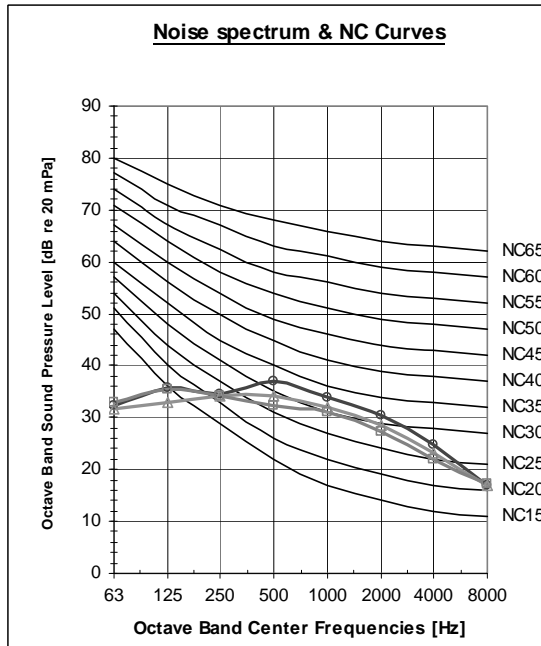
Figure 4. Cassette

7.2 Ducted IDU Sound Pressure Level (measured as figure 3)

DAF 009 Cooling

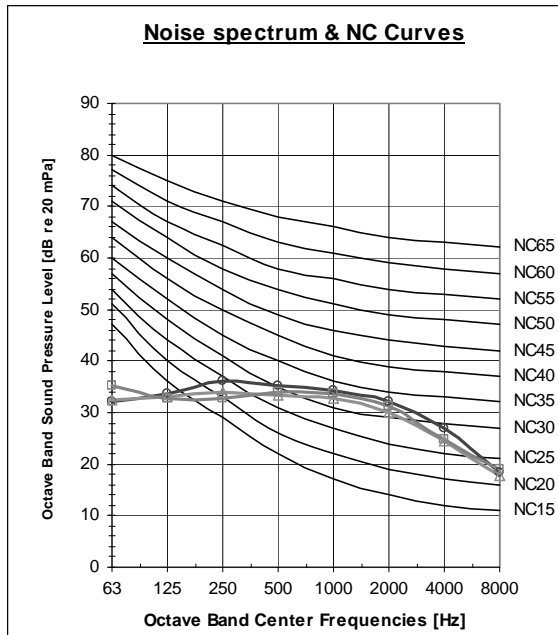


DAF 009 Heating

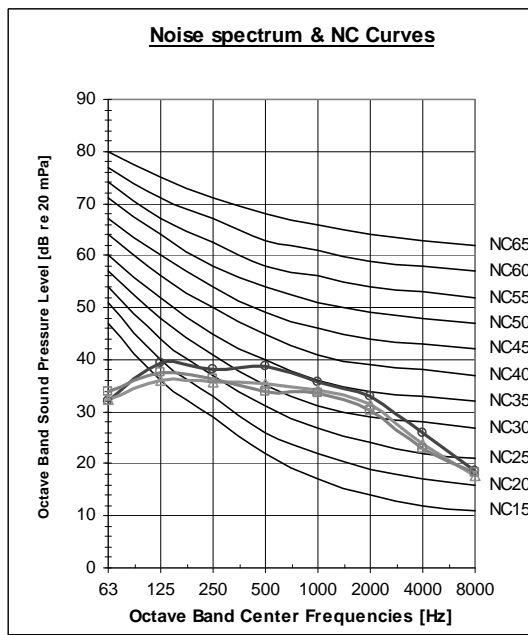


FAN SPEED	LINE
HI	—○—
ME	—△—
LO	—□—

DAF 012 Cooling

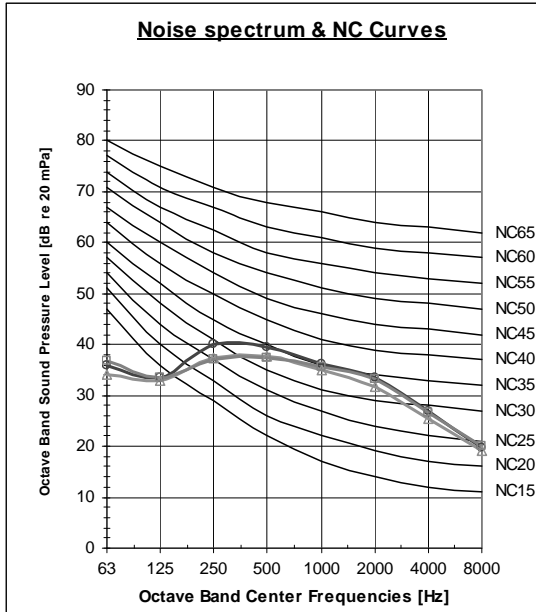


DAF 012 Heating

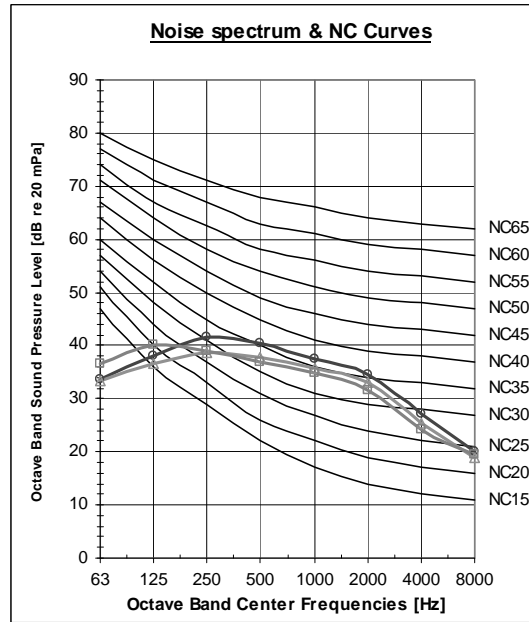


FAN SPEED	LINE
HI	—○—
ME	—△—
LO	—□—

DAF 018 Cooling

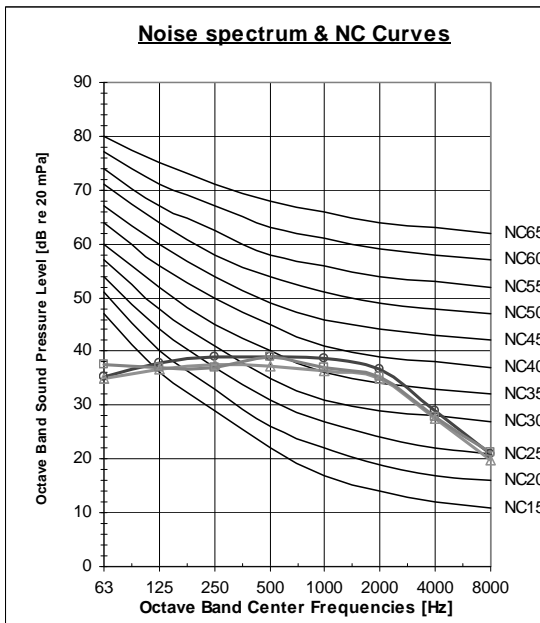


DAF 018 Heating

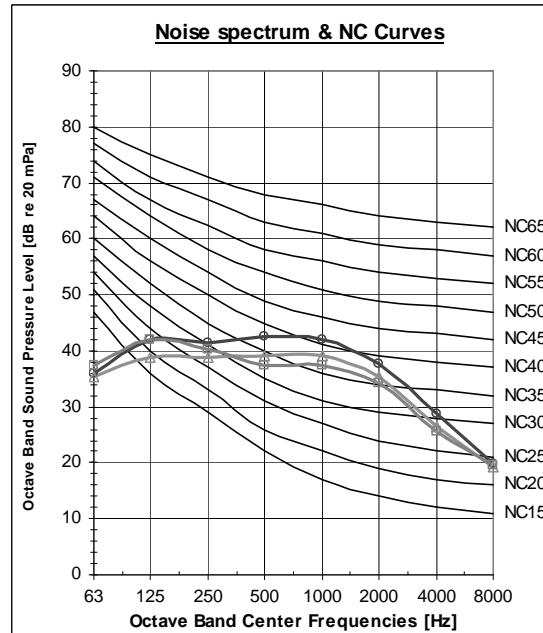


FAN SPEED	LINE
HI	—○—
ME	—△—
LO	—□—

DAF 024 Cooling

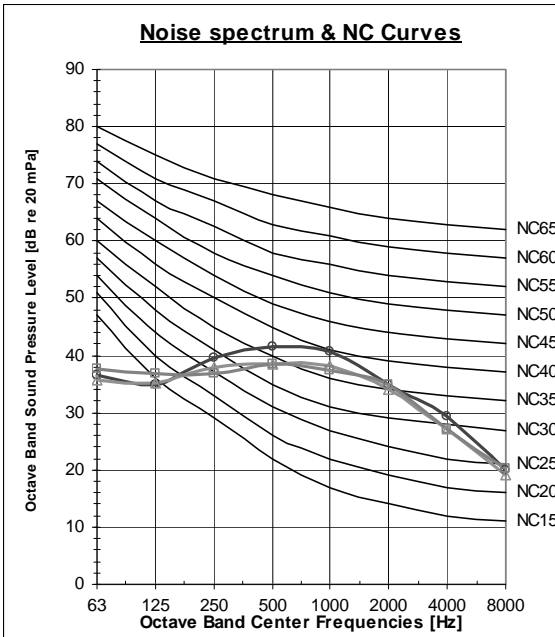


DAF 024 Heating



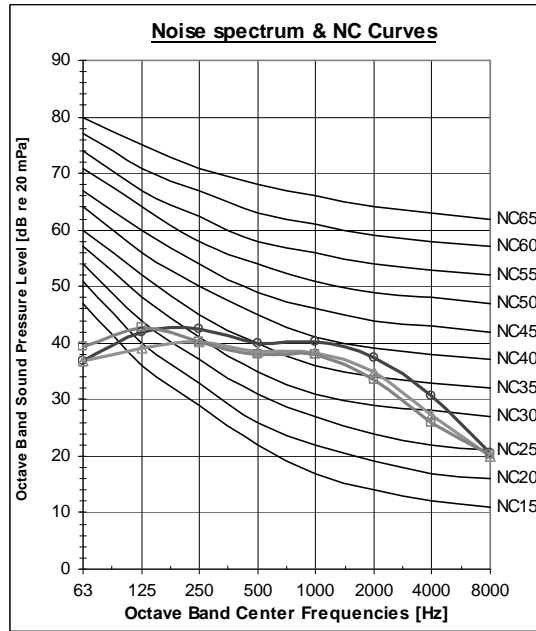
FAN SPEED	LINE
HI	—○—
ME	—△—
LO	—□—

DAF 030 Cooling

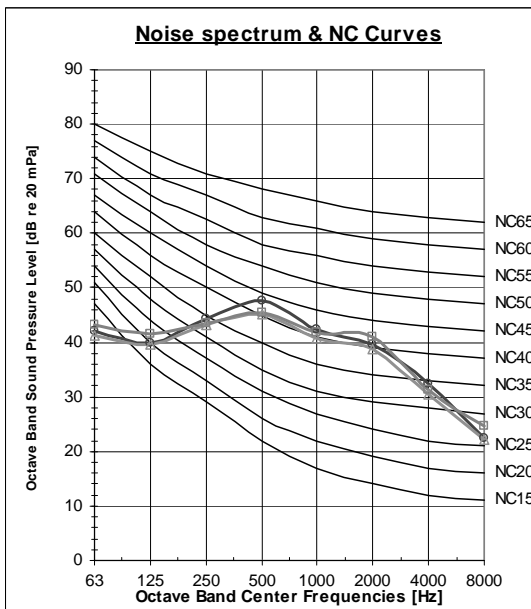


FAN SPEED	LINE
HI	—○—
ME	—△—
LO	—□—

DAF 030 Heating

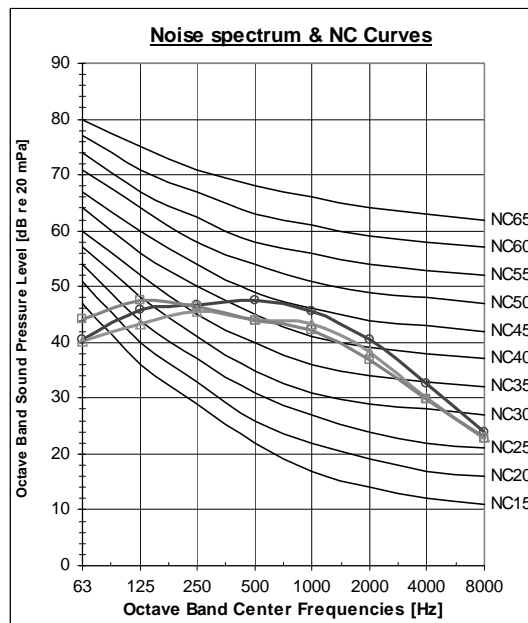


DAF 036 Cooling

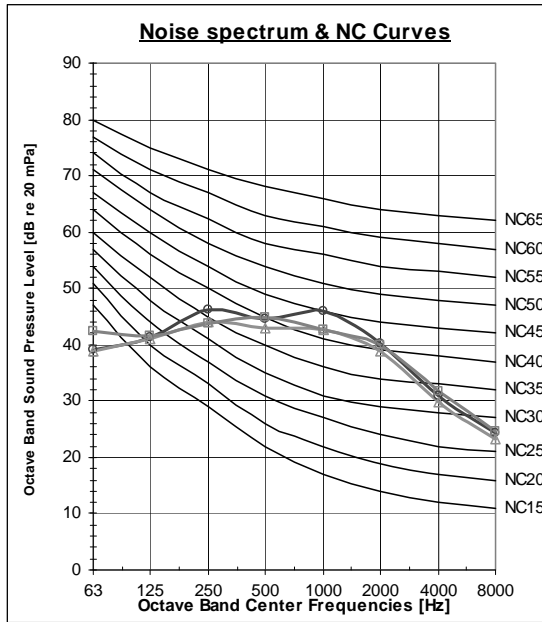


FAN SPEED	LINE
HI	—○—
ME	—△—
LO	—□—

DAF 036 Heating

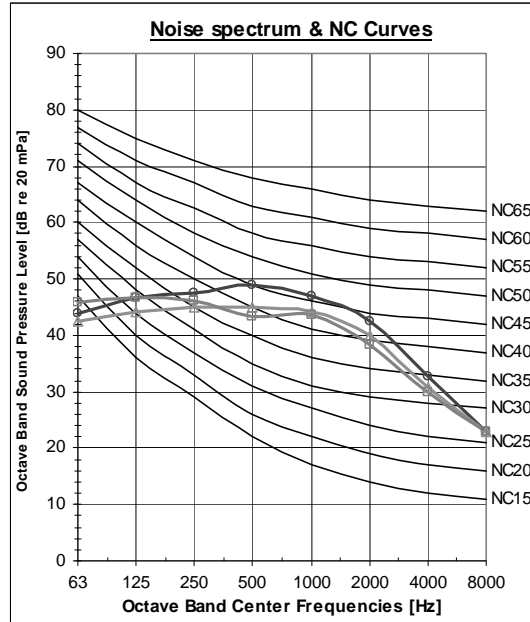


DAF 042 Cooling

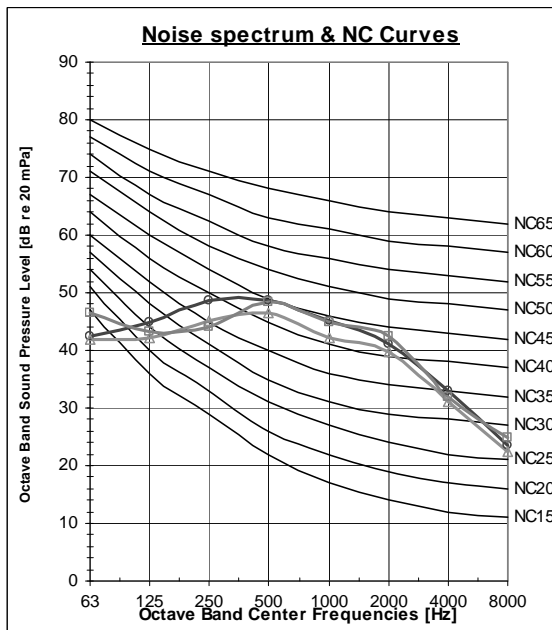


FAN SPEED	LINE
HI	—○—
ME	—△—
LO	—□—

DAF 042 Heating

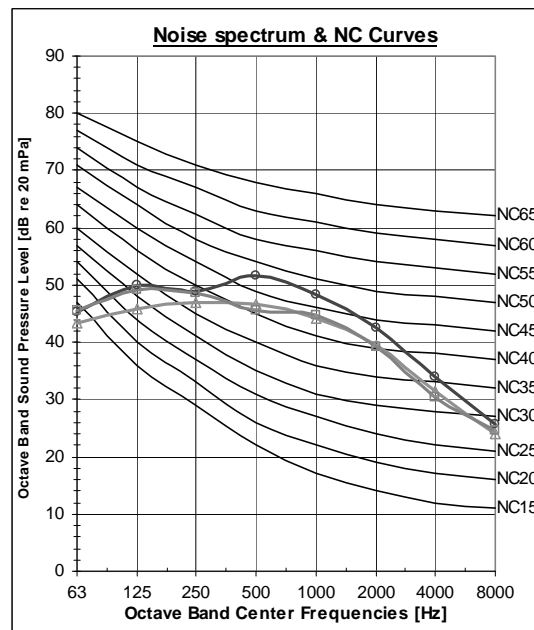


DAF 060 Cooling



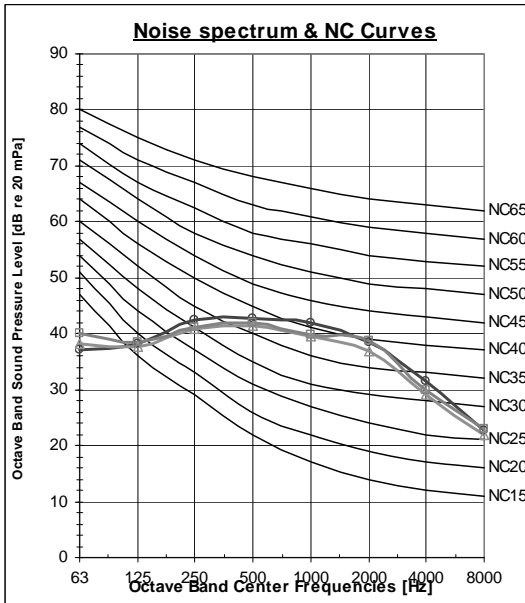
FAN SPEED	LINE
HI	—○—
ME	—△—
LO	—□—

DAF 060 Heating

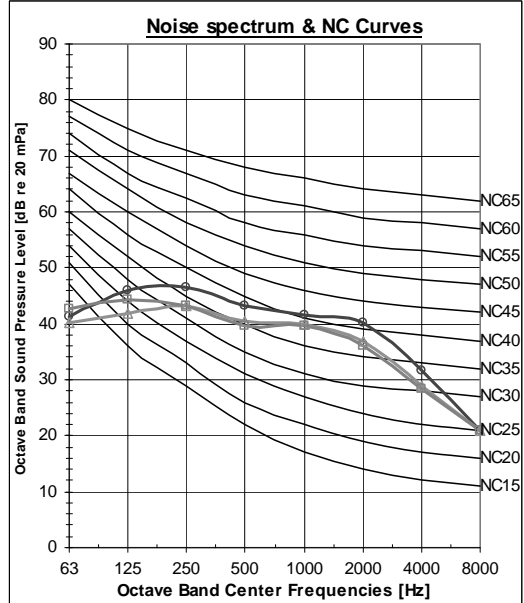


7.3 Cassette IDU Sound Pressure Level (measured as figure 4)

CAF012 Cooling

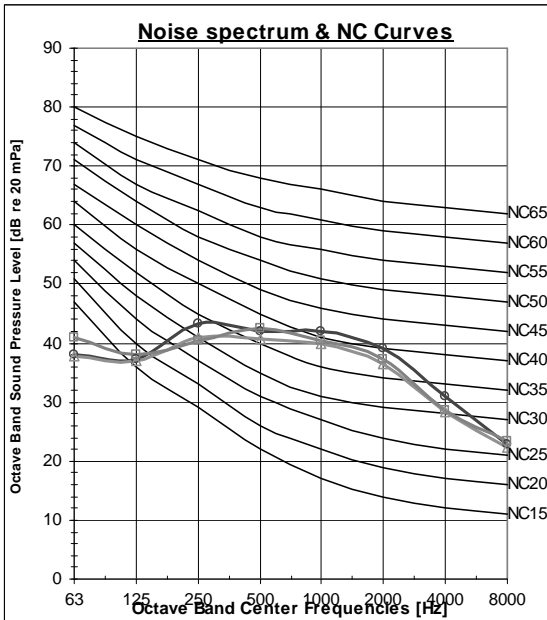


CAF012 Heating

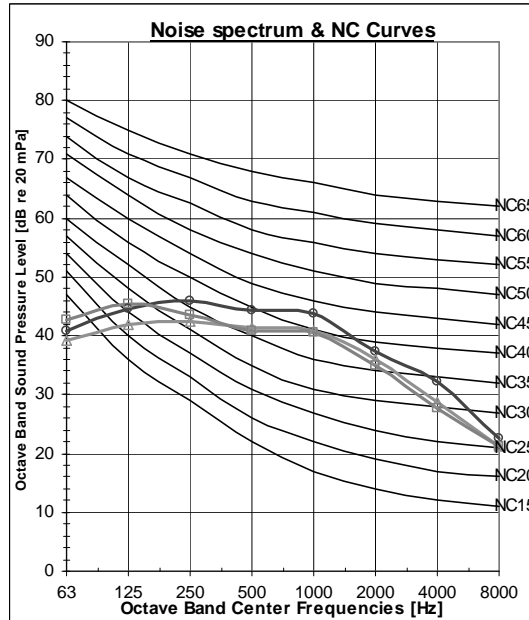


FAN SPEED	LINE
HI	—○—
ME	—△—
LO	—□—

CAF018 Cooling

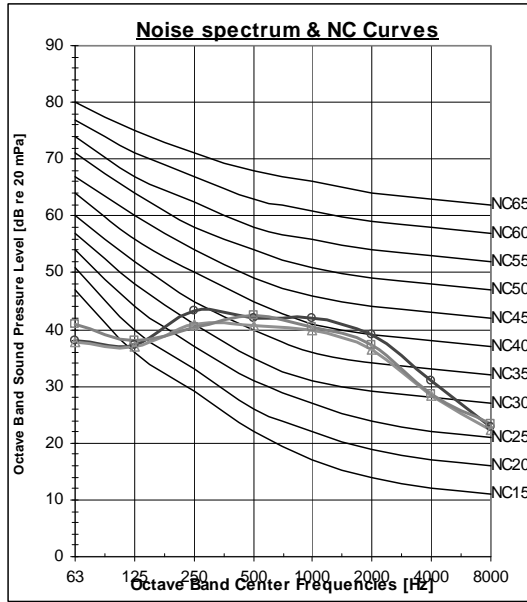


CAF018 Heating



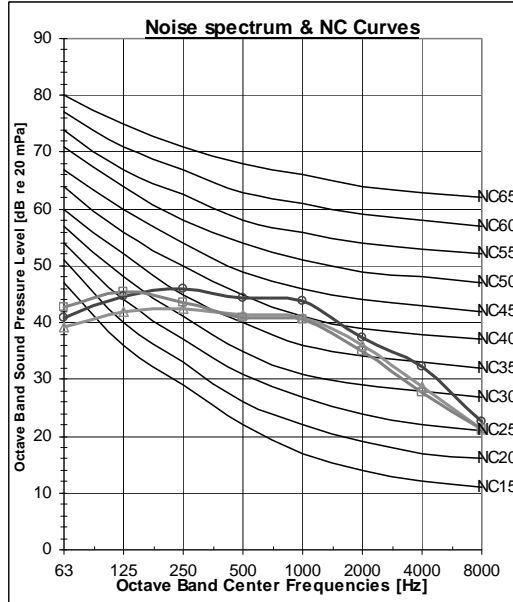
FAN SPEED	LINE
HI	—○—
ME	—△—
LO	—□—

CAF024 Cooling

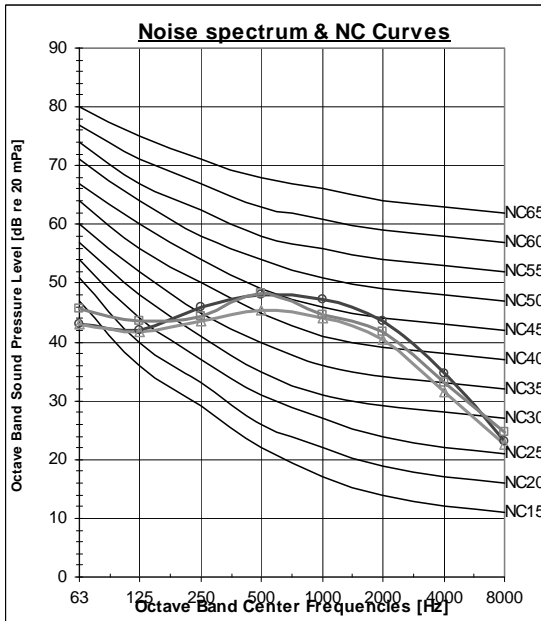


FAN SPEED	LINE
HI	—○—
ME	—△—
LO	—□—

CAF024 Heating

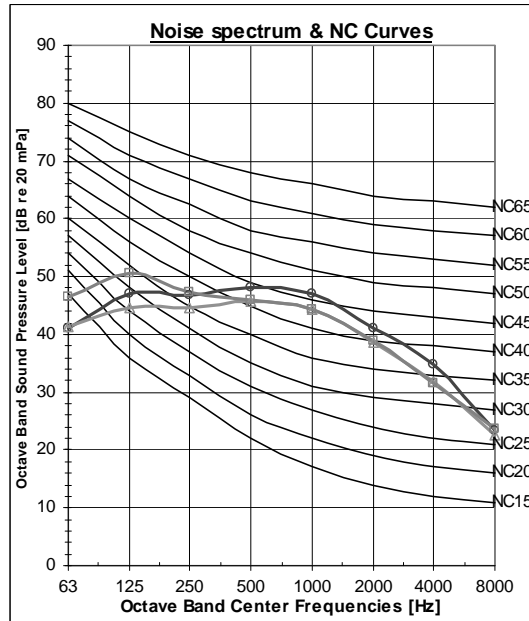


CAF030 Cooling

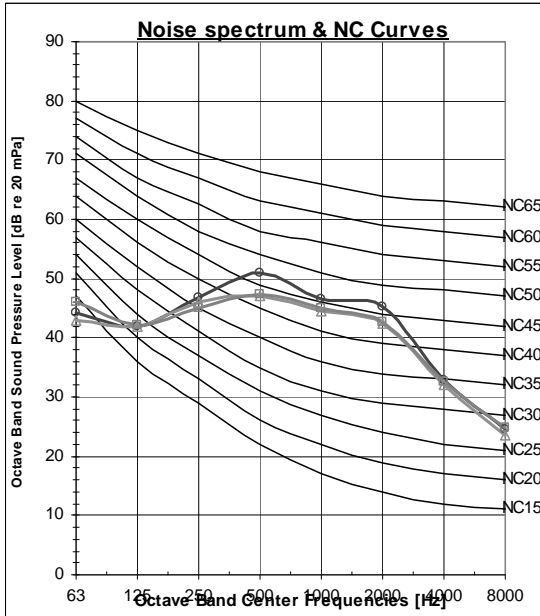


FAN SPEED	LINE
HI	—○—
ME	—△—
LO	—□—

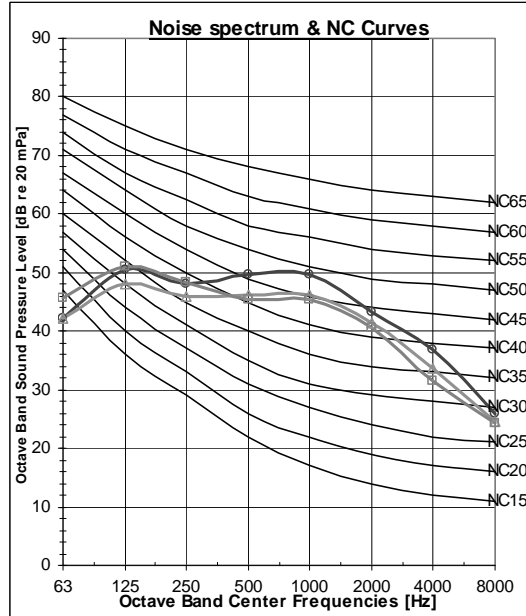
CAF030 Heating



CAF036 Cooling

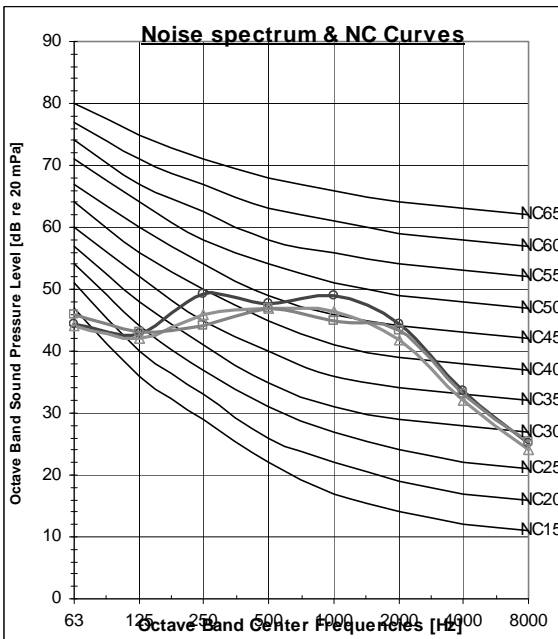


CAF036Heating

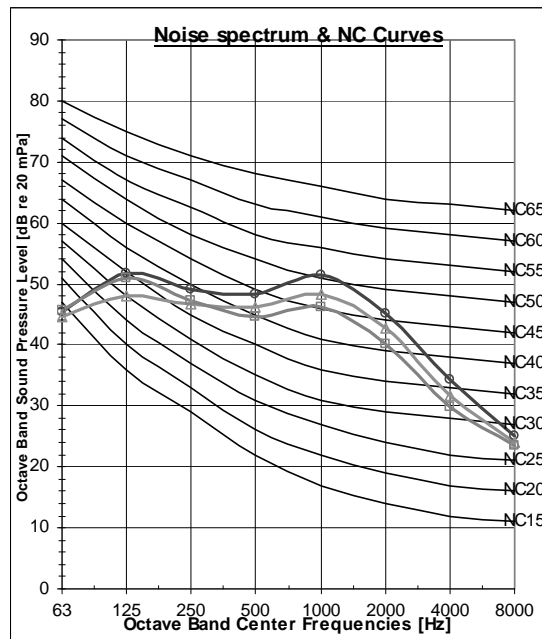


FAN SPEED	LINE
HI	—○—
ME	—△—
LO	—□—

CAF042 Cooling



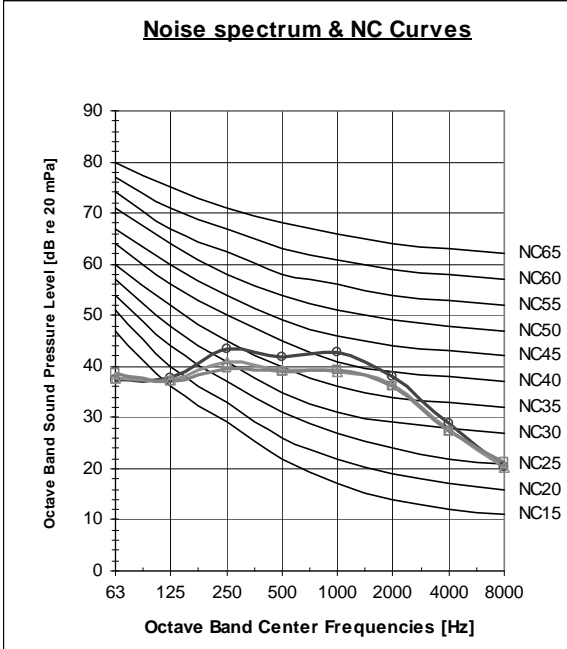
CAF042 Heating



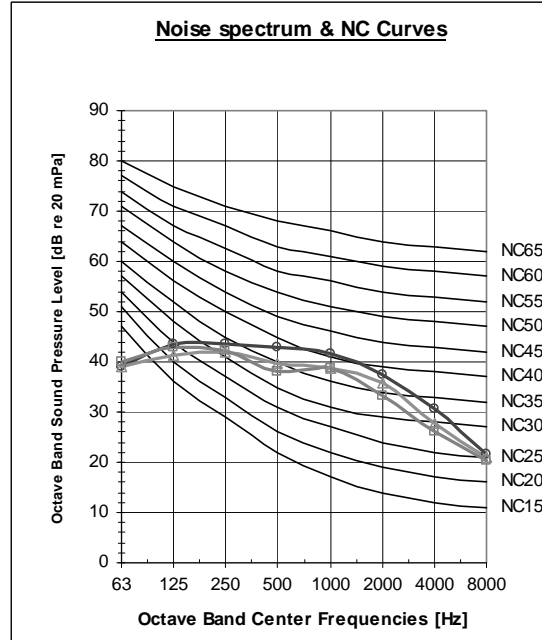
FAN SPEED	LINE
HI	—○—
ME	—△—
LO	—□—

7.4 Floor Ceiling IDU Sound Pressure Level (measured as figure 2)

FAF012 Cooling

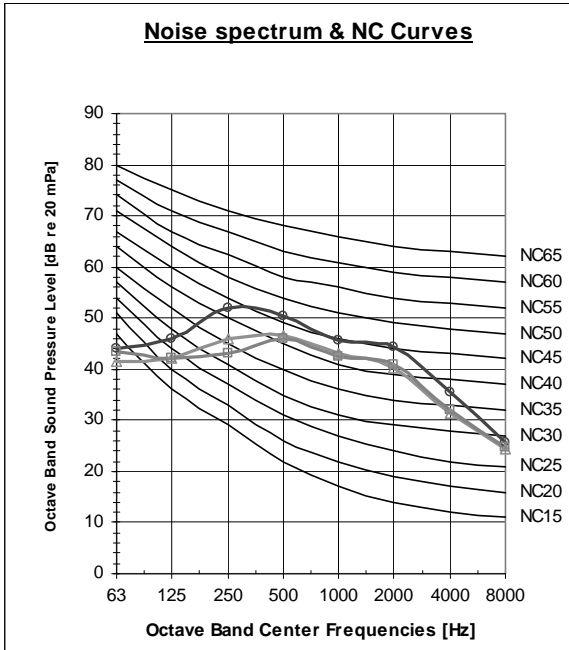


FAF012 Heating



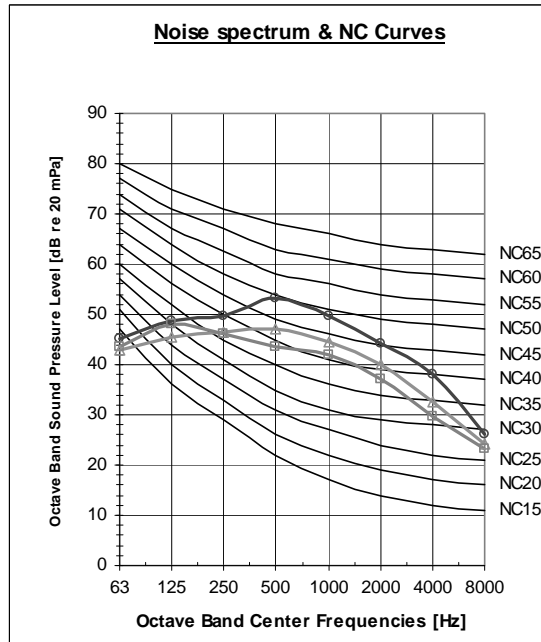
FAN SPEED	LINE
HI	—○—
ME	—△—
LO	—□—

FAF018 Cooling

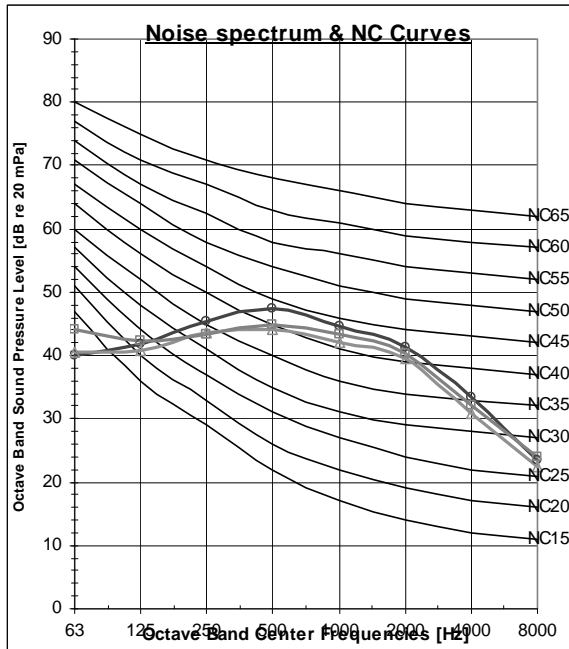


FAN SPEED	LINE
HI	—○—
ME	—△—
LO	—□—

FAF018 Heating

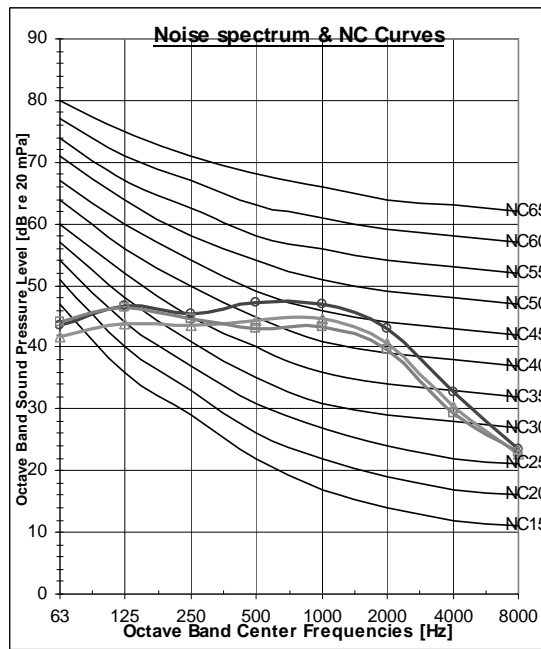


FAF024 Cooling

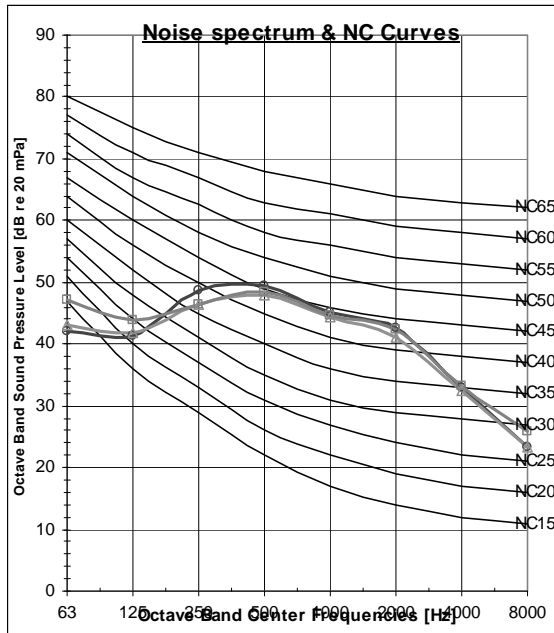


FAN SPEED	LINE
HI	—○—
ME	—△—
LO	—□—

FAF024 Heating

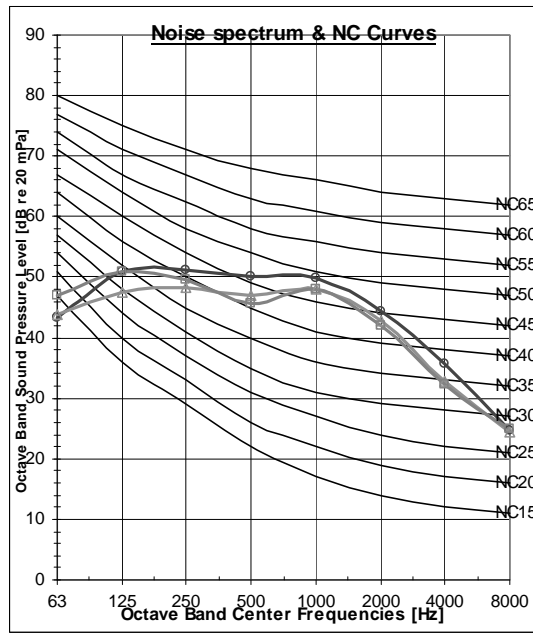


FAF030 Cooling

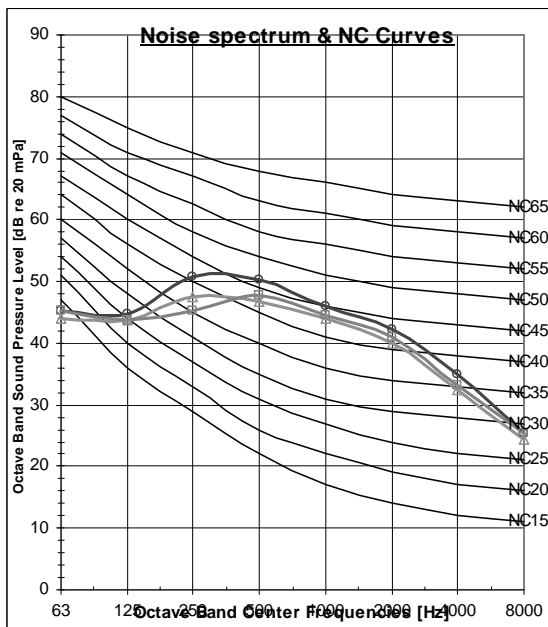


FAN SPEED	LINE
HI	—○—
ME	—△—
LO	—□—

FAF030 Heating

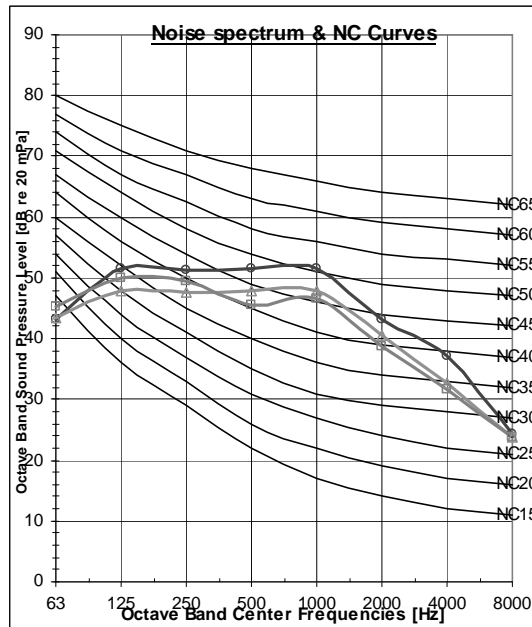


FAF036 Cooling



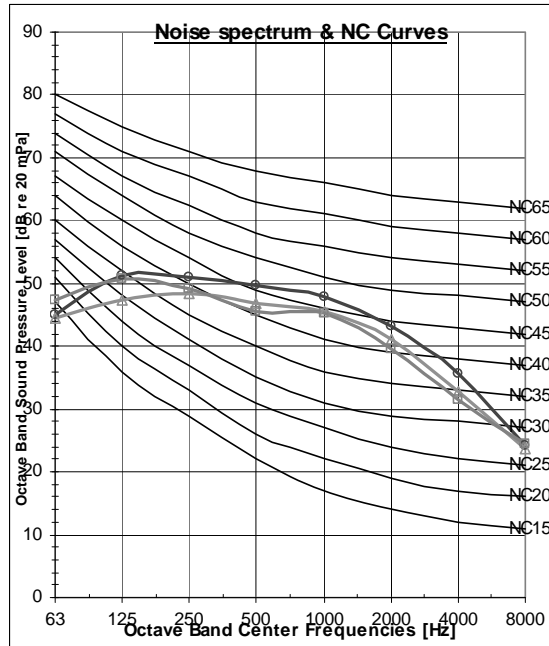
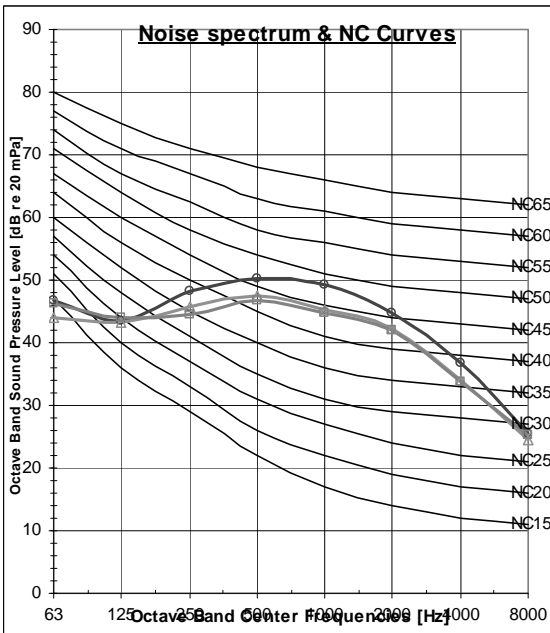
FAN SPEED	LINE
HI	—○—
ME	—△—
LO	—□—

FAF036 Heating



FAF042 Cooling

FAF042 Heating



FAN SPEED	LINE
HI	—○—
ME	—△—
LO	—□—

7.5 Outdoor units

MODEL		SPL dB(A)	SPW dB(A)
Indoor	Outdoor	Cooling/Heating	Cooling/Heating
	YIF009	55/55	65/65
	YIF012	56/56	66/66
	YIF018	56/56	66/66
	YIF024	59/59	69/69
	YIF030	59/59	69/69
	YIF036	60/60	70/70
	YIF036T	60/60	70/70
	YIF042	60/60	70/70
	YIF060	64/64	74/74

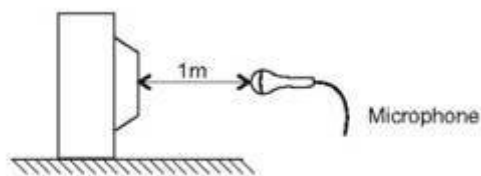
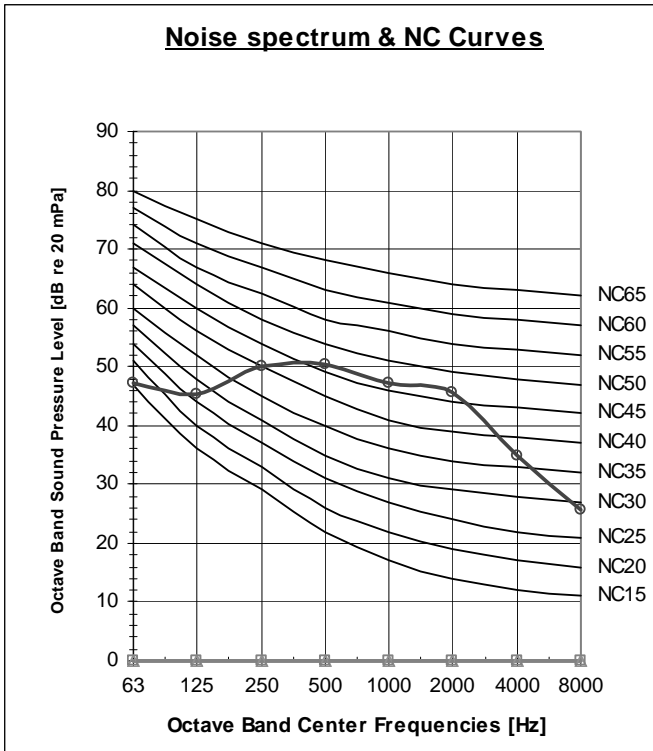


Fig.5

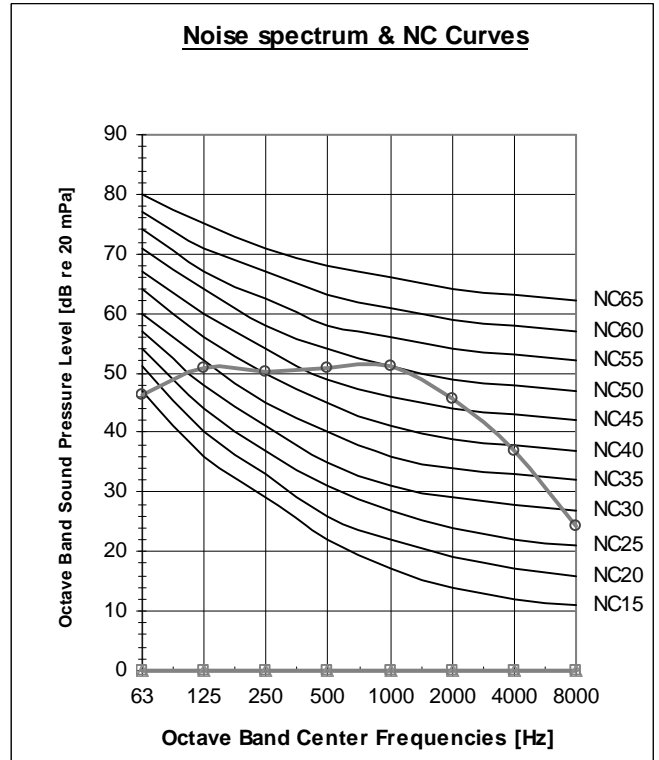
Figure 5. Microphone Distance from Unit

7.6 Sound Pressure Level Spectrum (Measured as Figure 5)

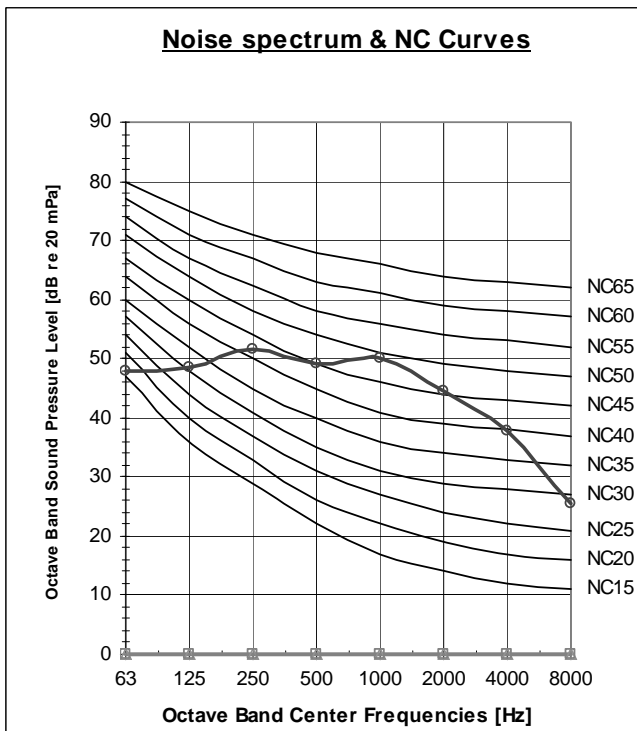
YIF009 Cooling



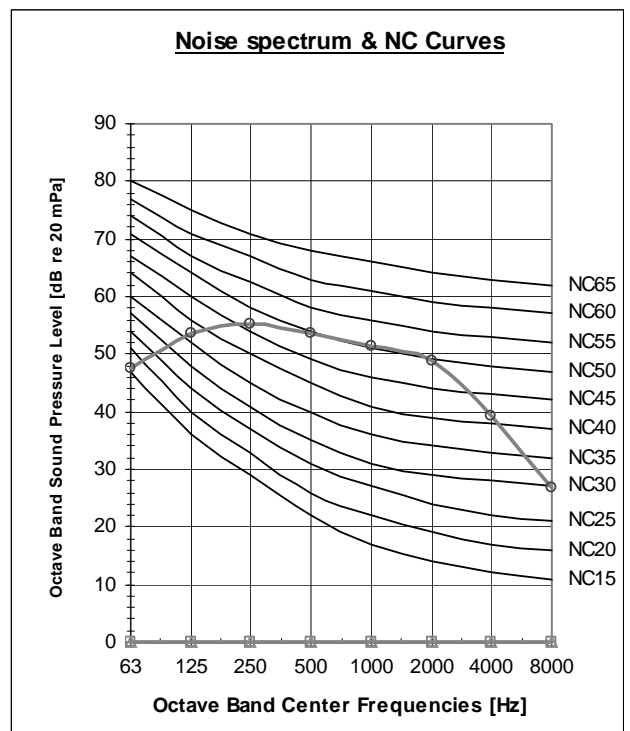
YIF009 Heating



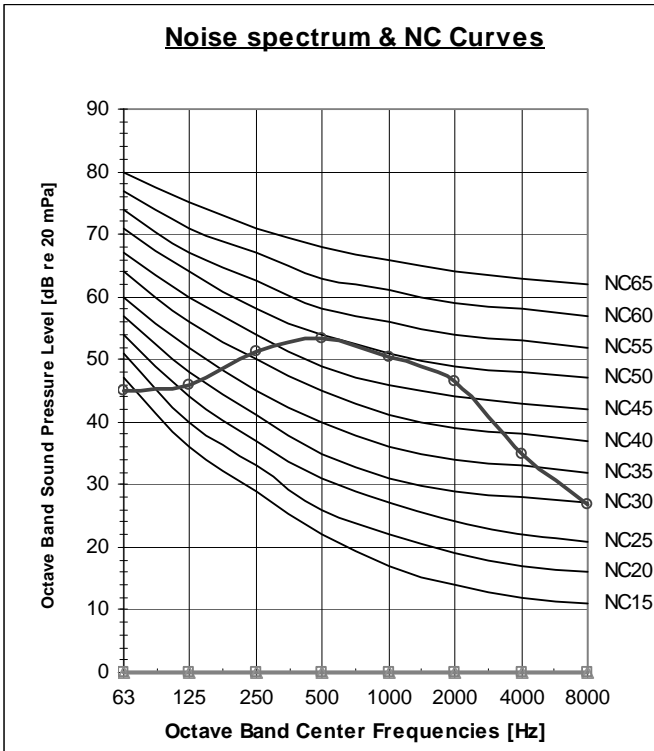
YIF012 Cooling



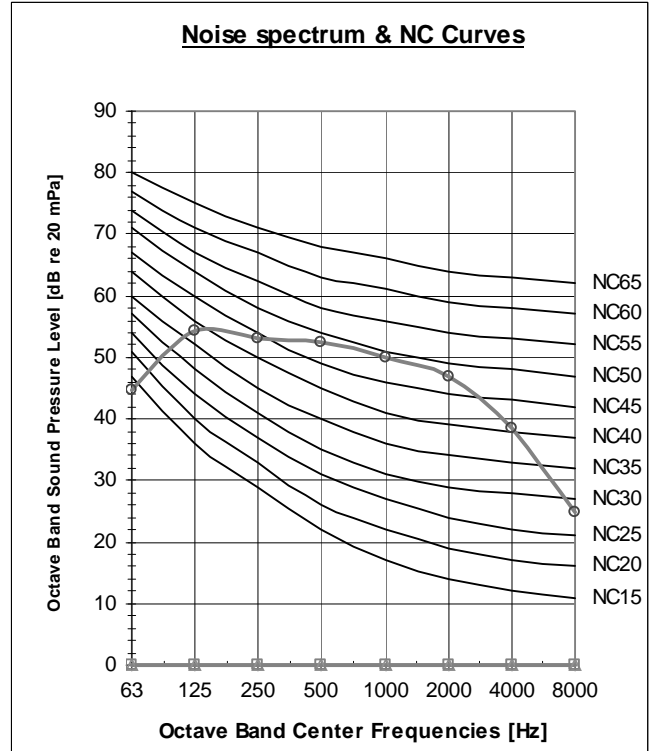
YIF012 Heating



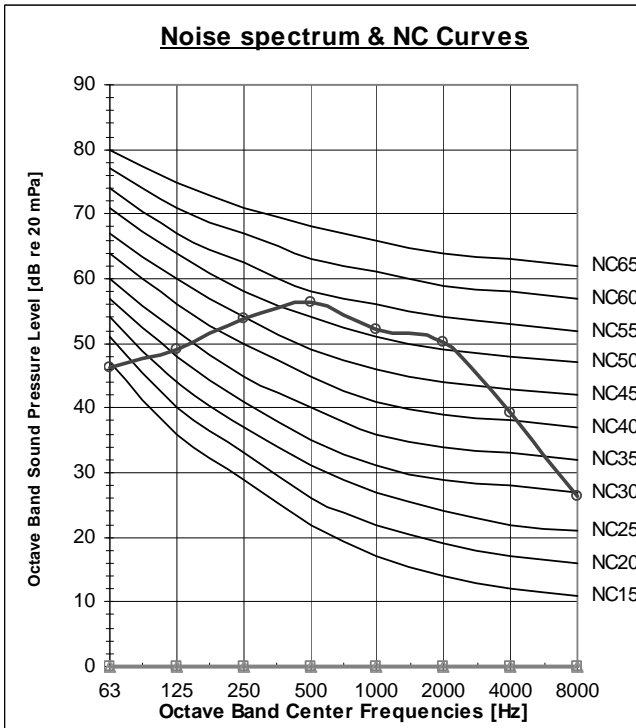
YIF018 Cooling



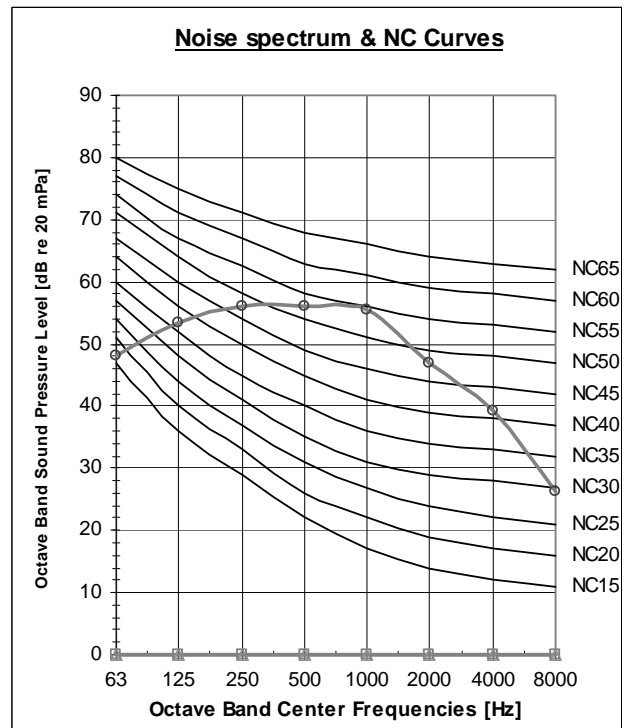
YIF018 Heating



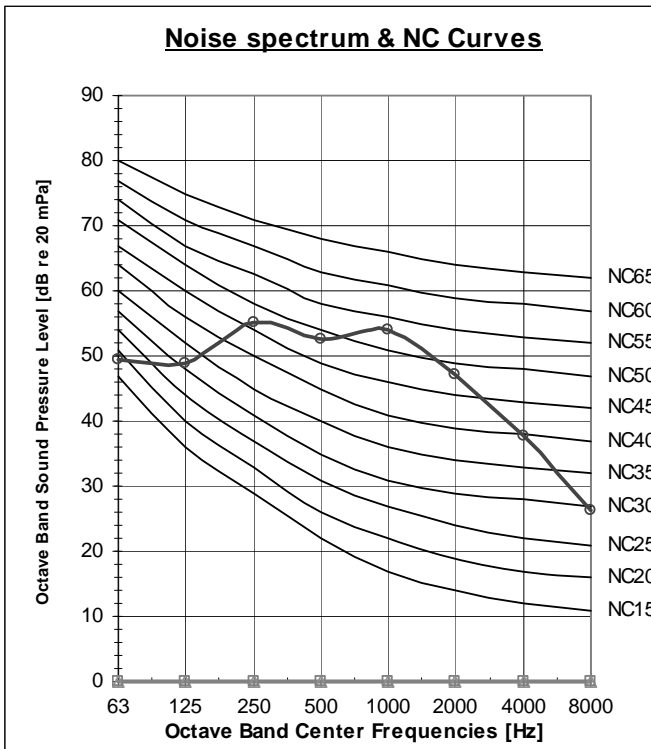
YIF024 Cooling



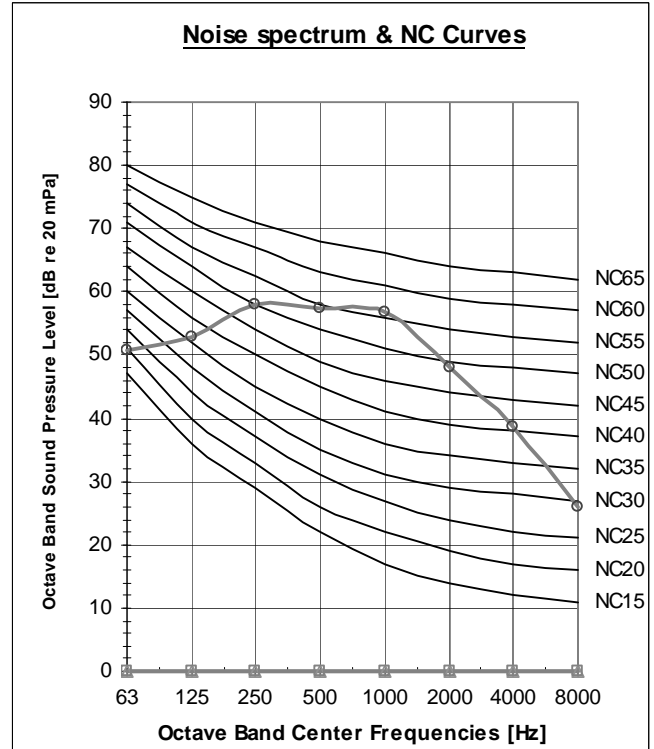
YIF024 Heating



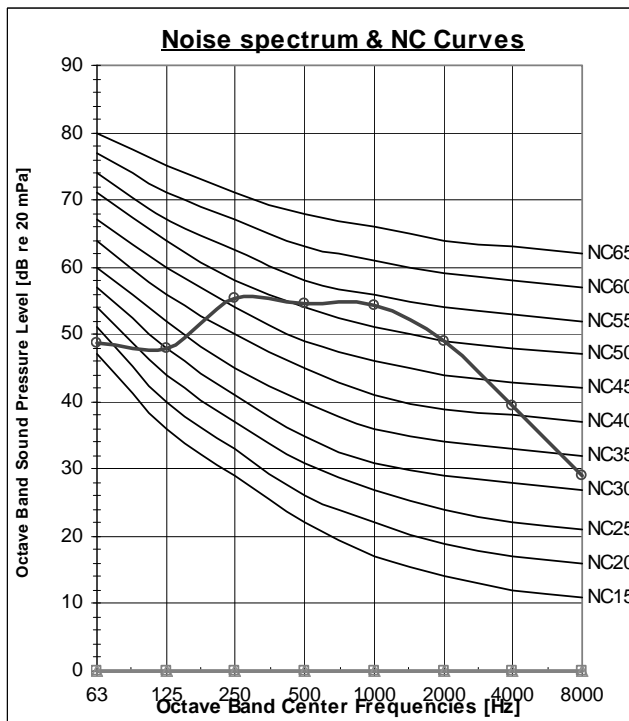
YIF030 Cooling



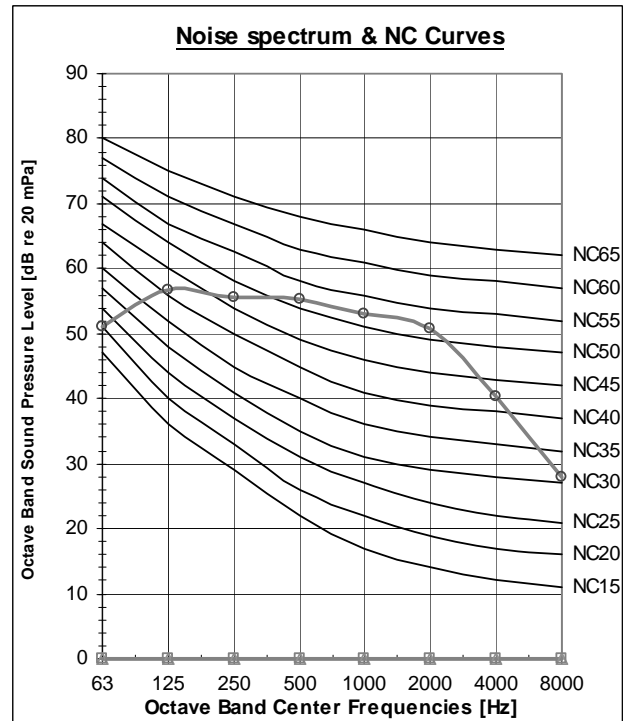
YIF030 Heating



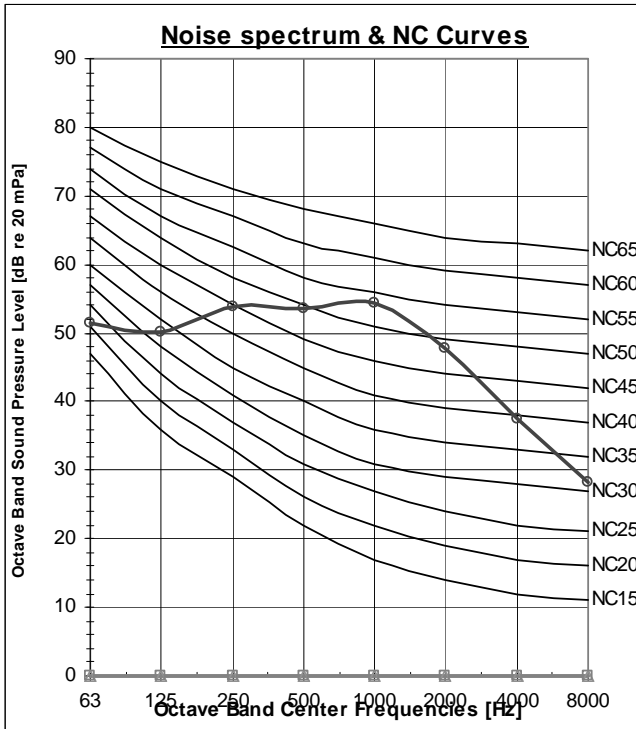
YIF036 Cooling



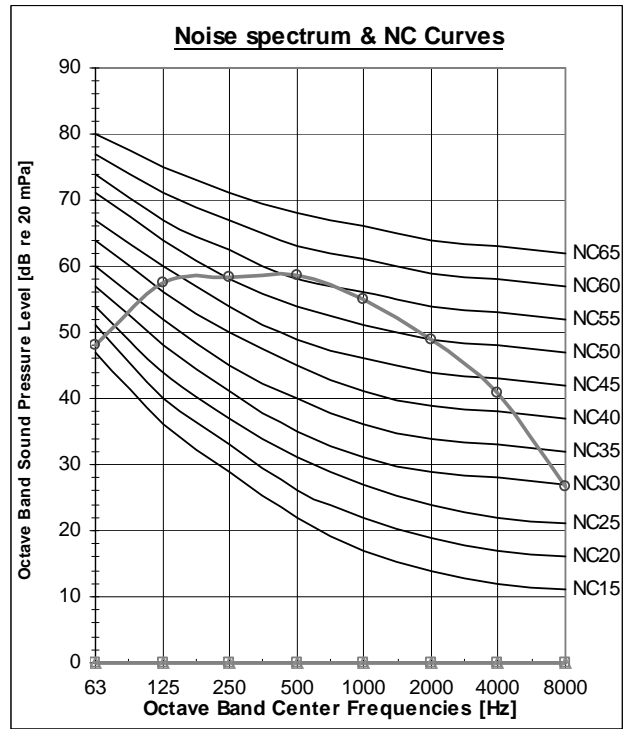
YIF036 Heating



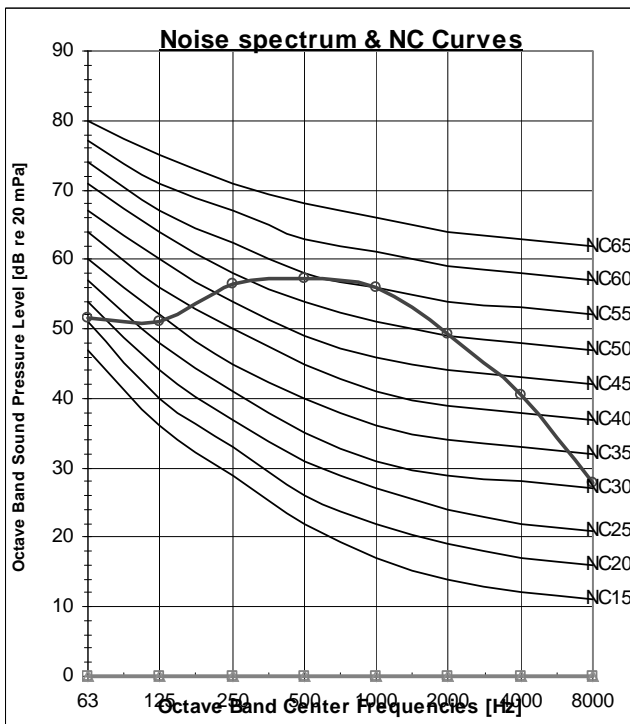
YIF036T Cooling



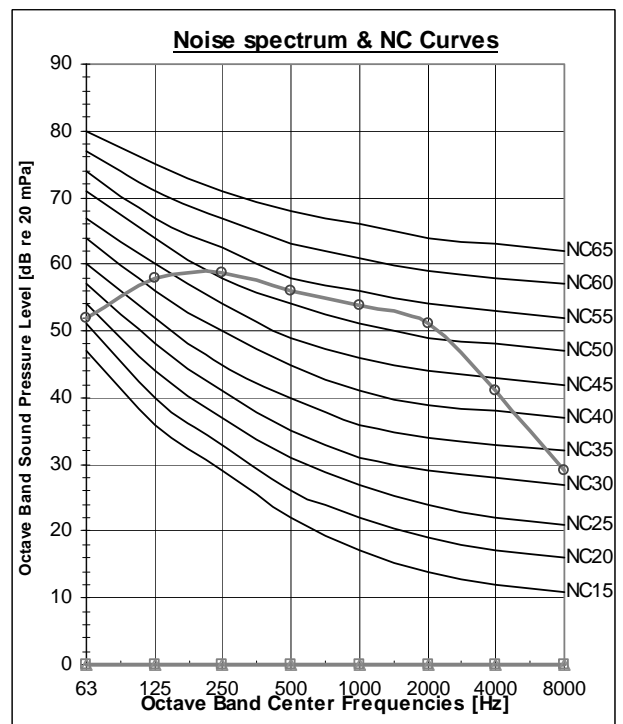
YIF036T Heating



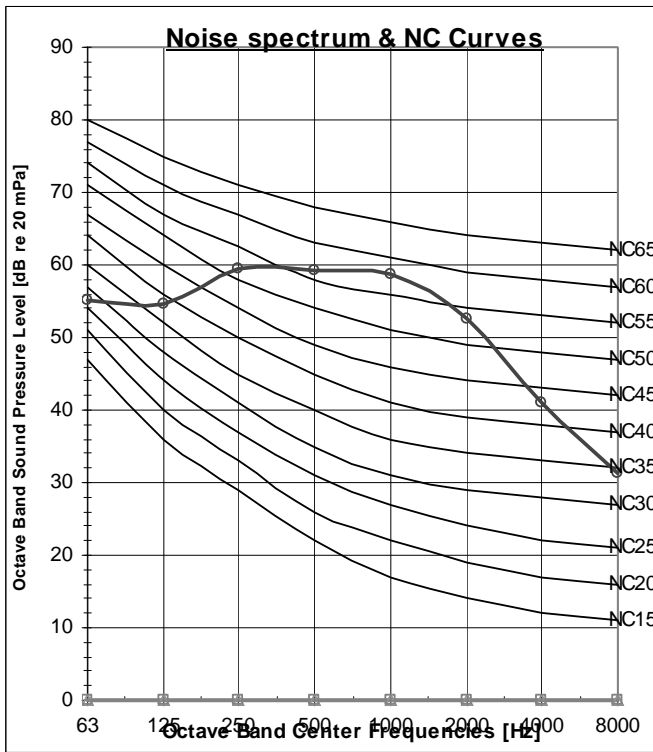
YIF042 Cooling



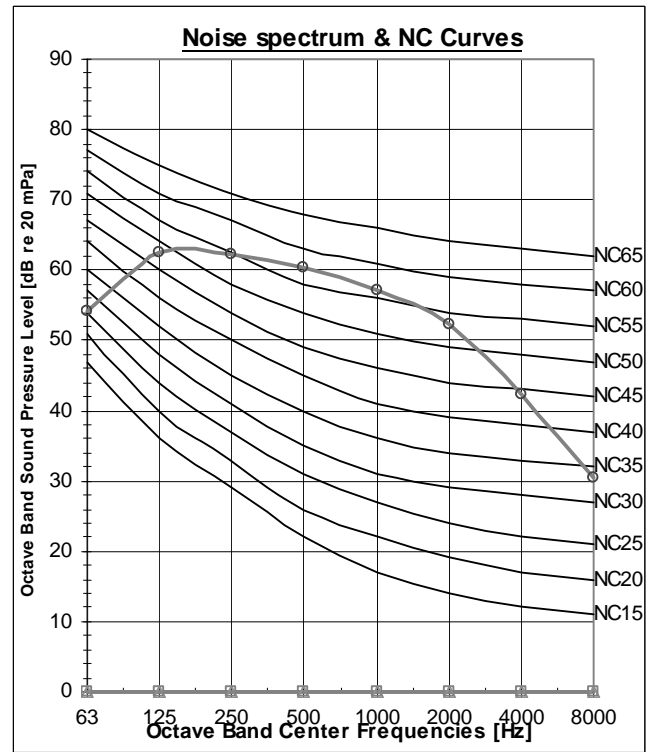
YIF042 Heating



YIF060 Cooling



YIF060 Heating



8. ELECTRICAL DATA

8.1 Indoor units Ducted

Model	Power Supply (V, Ph, Hz)	Circuit Breaker	Power Supply Wiring No. X Cross Section
		(A)	(mm ²)
DAF009	220-240, 1, 50	6	3 X1.5
DAF012	220-240, 1, 50	6	3 X1.5
DAF018	220-240, 1, 50	6	3 X1.5
DAF024	220-240, 1, 50	6	3 X1.5
DAF030	220-240, 1, 50	6	3 X1.5
DAF036	220-240, 1, 50	10	3 X1.5
DAF042	220-240, 1, 50	10	3 X1.5
DAF060	220-240, 1, 50	10	3 X1.5

8.2 Indoor units Floor/Ceiling

Model	Power Supply (V, Ph, Hz)	Capability of Air Switch (A)	Minimum Sectional Area of Earth Wire (mm ²)
FAF012	220-240, 1, 50	6	3 X1.5
FAF018	220-240, 1, 50	6	3 X1.5
FAF024	220-240, 1, 50	6	3 X1.5
FAF030	220-240, 1, 50	6	3 X1.5
FAF036	220-240, 1, 50	6	3 X1.5
FAF042	220-240, 1, 50	6	3 X1.5

8.3 Indoor units Cassette

Model	Power Supply (V, Ph, Hz)	Capability of Air Switch	Minimum Sectional Area of Earth Wire
		(A)	(mm ²)
CAF012	220-240, 1, 50	6	3 X1.5
CAF018	220-240, 1, 50	6	3 X1.5
CAF024	220-240, 1, 50	6	3 X1.5
CAF030	220-240, 1, 50	6	3 X1.5
CAF036	220-240, 1, 50	6	3 X1.5
CAF042	220-240, 1, 50	6	3 X1.5

8.4 Outdoor units

Model	Power Supply (V, Ph, Hz)	Circuit Breaker	Power Supply Wiring No. X Cross Section	Interconnecting Cable Model No. X Cross Section
		(A)	(mm ²)	(mm ²)
YIF009	220-240, 1, 50	10	3 X2.5	2 X0.75
YIF012	220-240, 1, 50	13	3 X2.5	2 X0.75
YIF018	220-240, 1, 50	20	3 X2.5	2 X0.75
YIF024	220-240, 1, 50	25	3 X2.5	2 X0.75
YIF030	220-240, 1, 50	30	3 X6.0	2 X0.75
YIF036	220-240, 1, 50	40	3 X6.0	2 X0.75
YIF036T	380-415, 3, 50	16	5 X4.0	2 X0.75
YIF042T	380-415, 3, 50	20	5 X4.0	2 X0.75
YIF060T	380-415, 3, 50	20	5 X4.0	2 X0.75

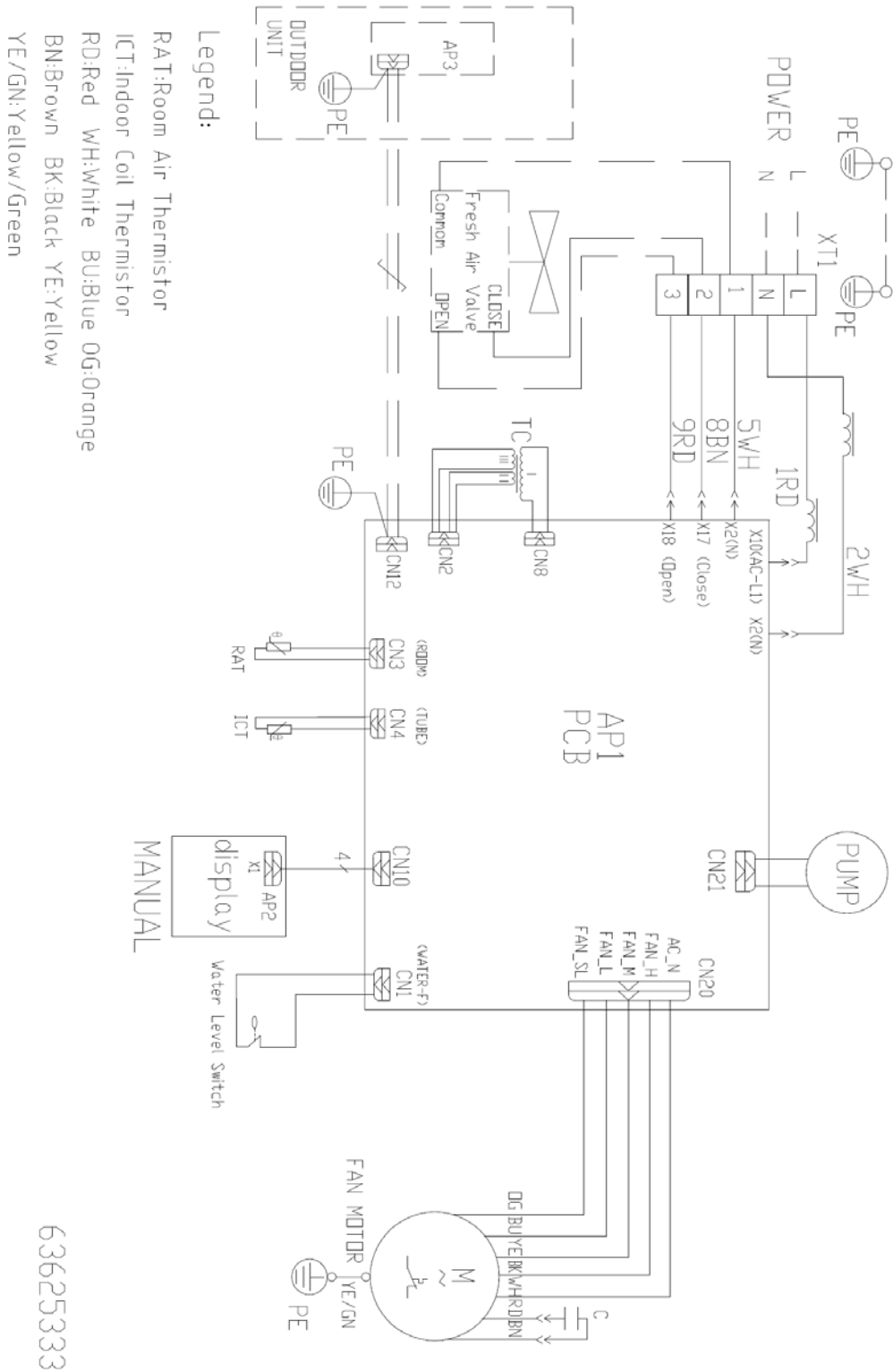
NOTE

Power wiring cord should comply with local laws and electrical regulations requirements.

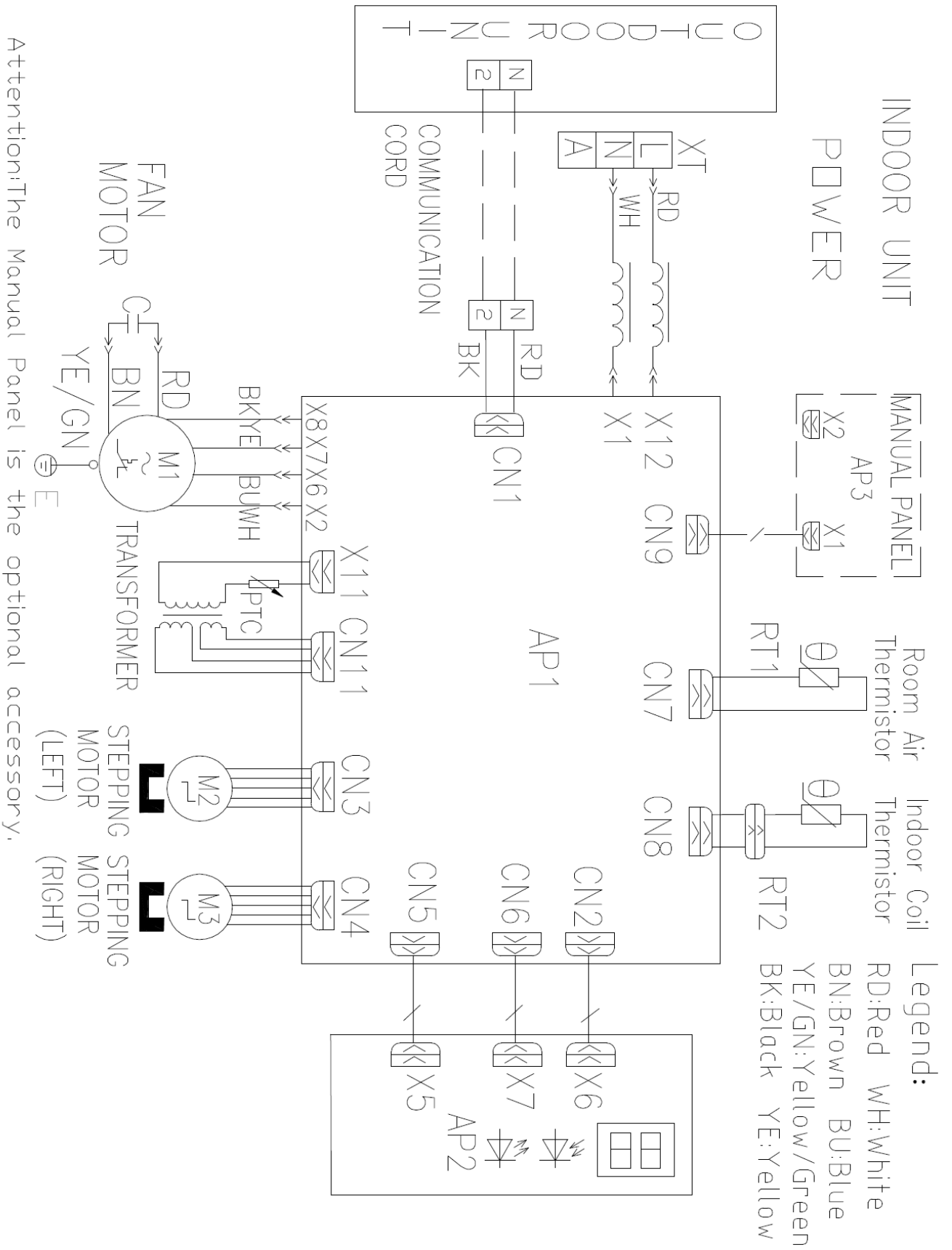
9. WIRING DIAGRAM

9.1 Indoor unit

9.1.1 Ducted type: for all models



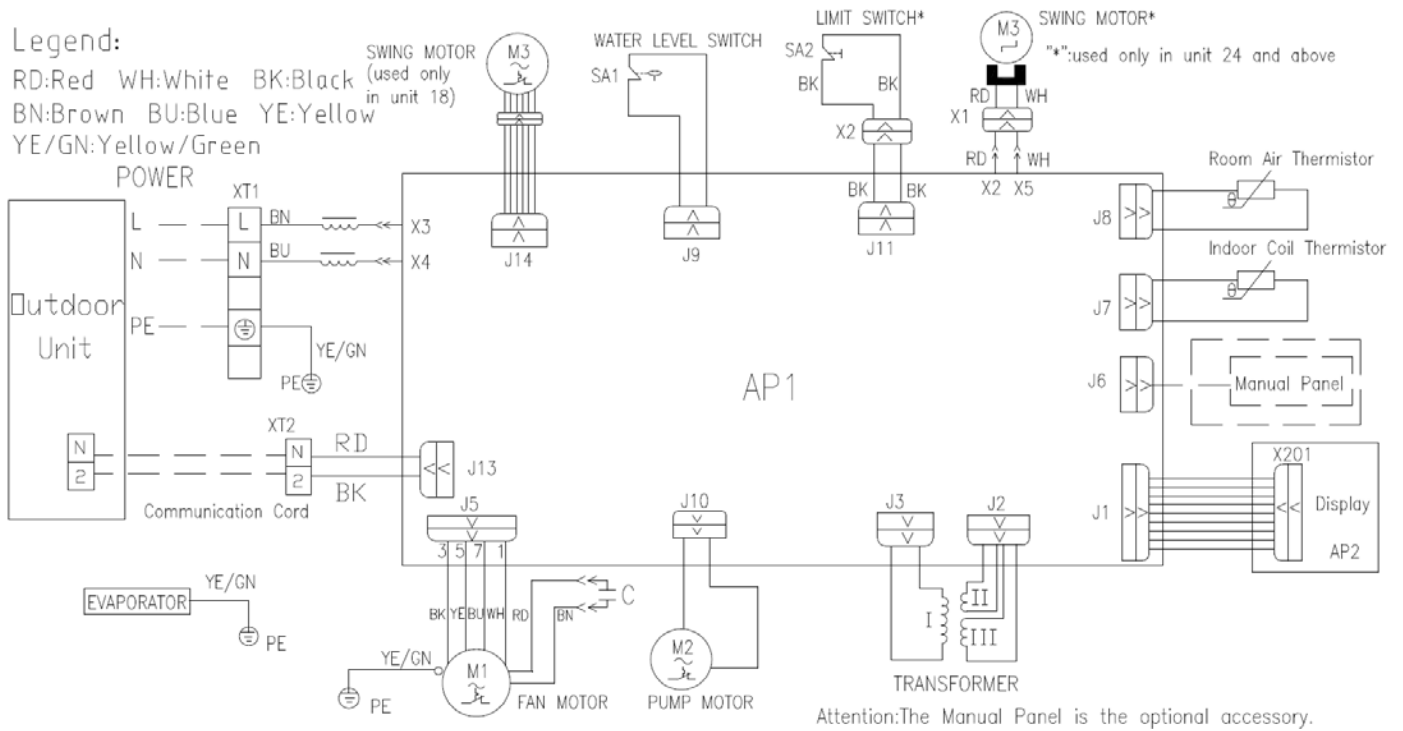
9.1.2 Floor ceiling type: for all models



9.1.3 Cassette type: for CAF012 018 024

Legend:

RD:Red WH:White BK:Black
 BN:Brown BU:Blue YE:Yellow
 YE/GN:Yellow/Green

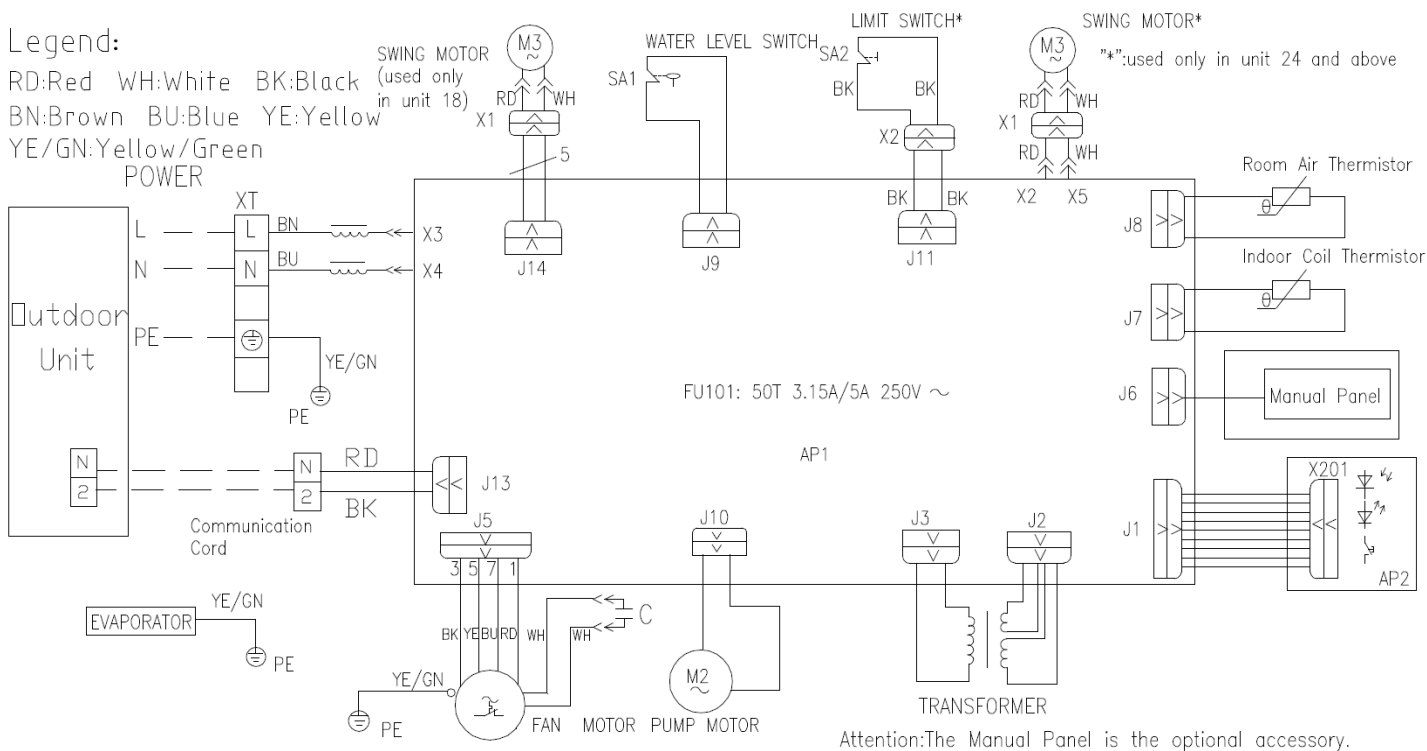


Attention:The Manual Panel is the optional accessory.

9.1.4 Cassette type: for CAF 030 036 042

Legend:

RD:Red WH:White BK:Black
 BN:Brown BU:Blue YE:Yellow
 YE/GN:Yellow/Green

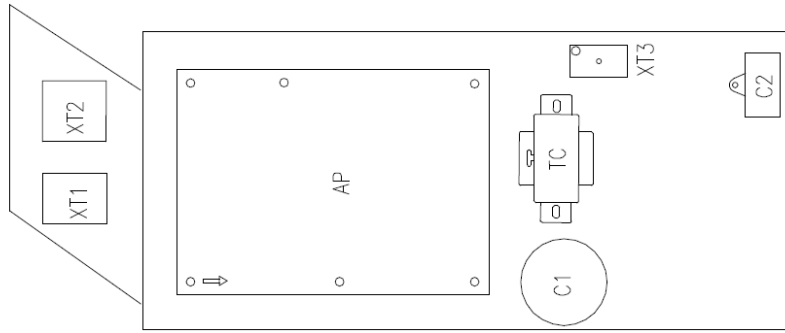


Attention:The Manual Panel is the optional accessory.

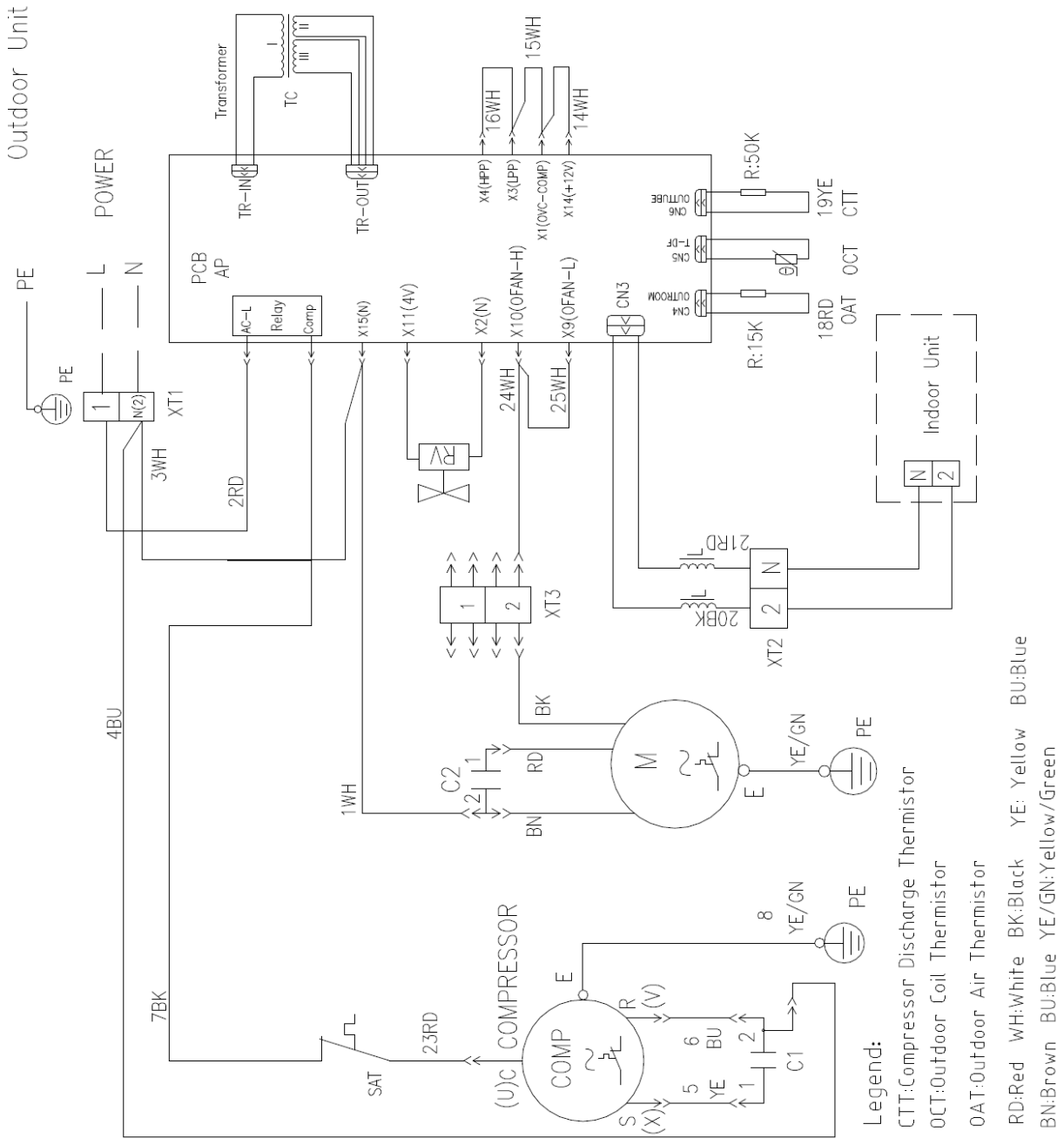
9.2 Outdoor unit

9.2.1 YIF009

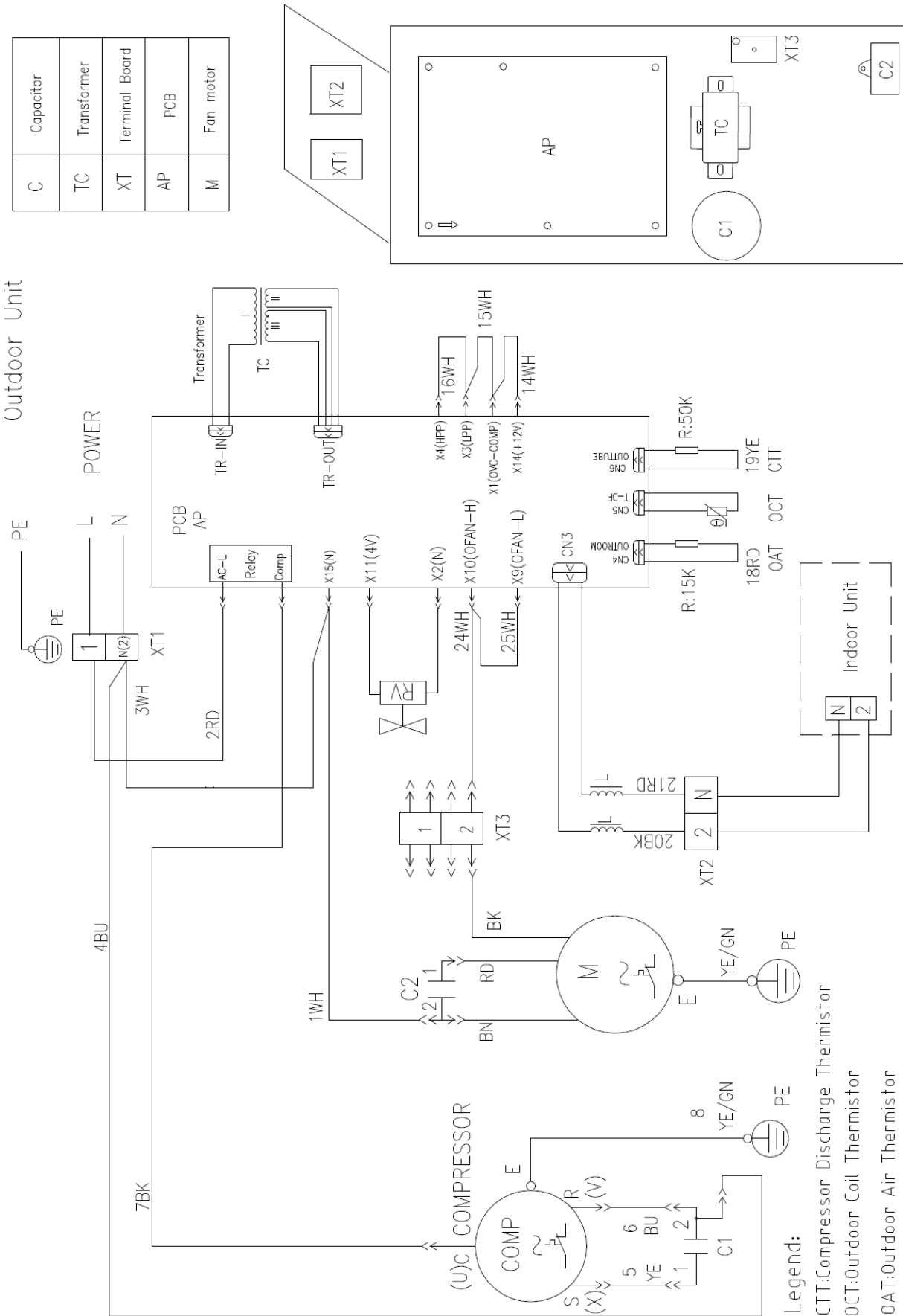
C	Capacitor
TC	Transformer
XT	Terminal Board
AP	PCB
M	Fan motor



63625326



9.2.2 YIF012



C	Capacitor
TC	Transformer
XT	Terminal Board
AP	PCB
M	Fan motor

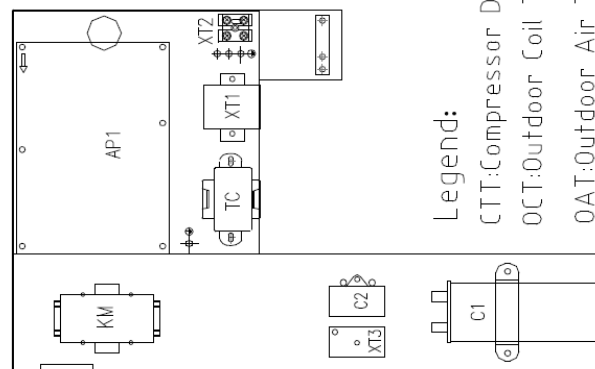
Legend:

- CTT: Compressor Discharge Thermistor
- OCT: Outdoor Coil Thermistor
- OAT: Outdoor Air Thermistor
- RD: Red WH: White BK: Black YE: Yellow
- BN: Brown BU: Blue YE/GN: Yellow/Green

9.2.4 YIF024

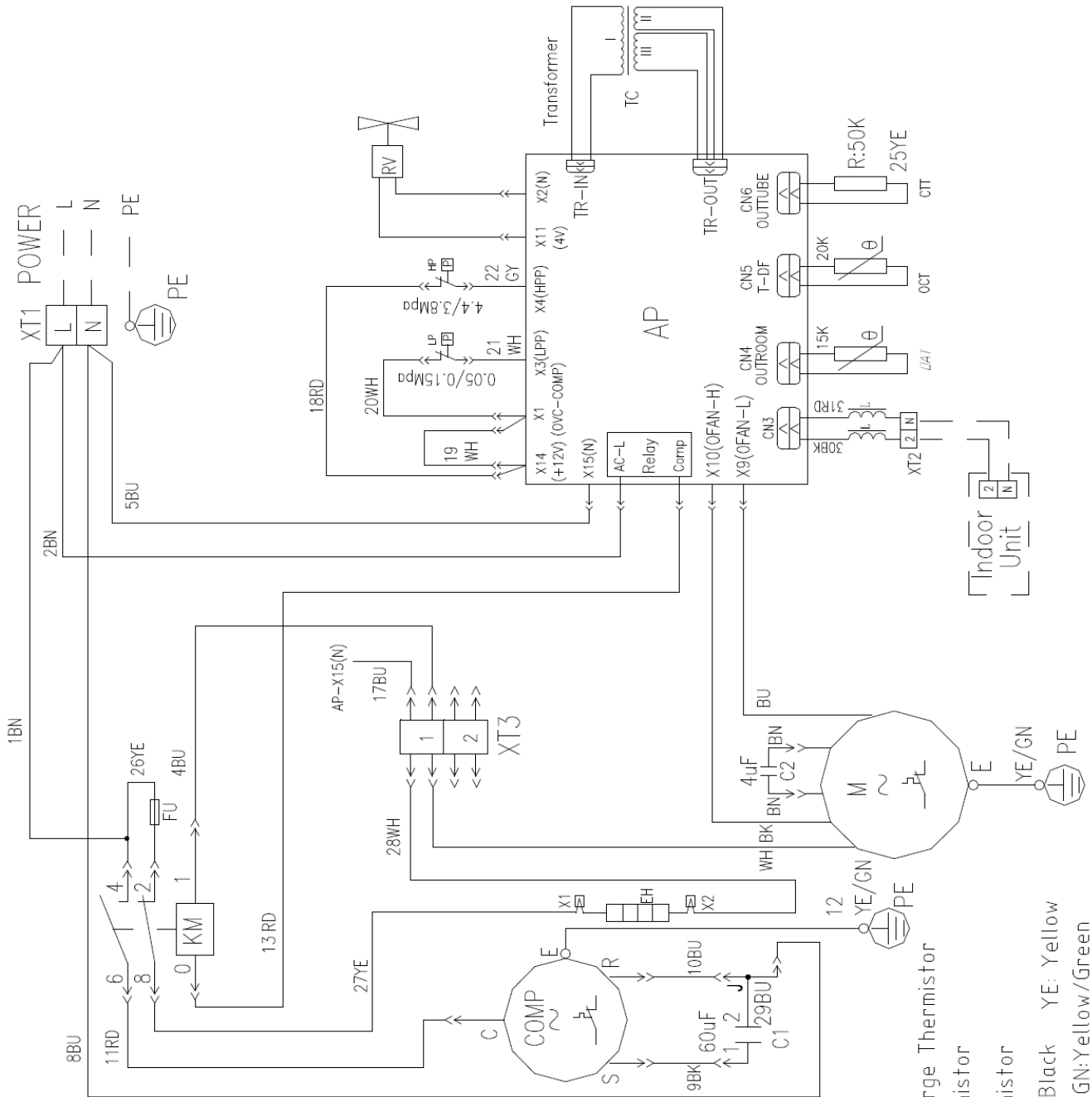
OUTDOOR UNIT

C	Capacitor
TC	Transformer
XT	Terminal Board
AP	PCB
FA	Over Current Protector
PM	Reverse Protector
KM	AC Contactor

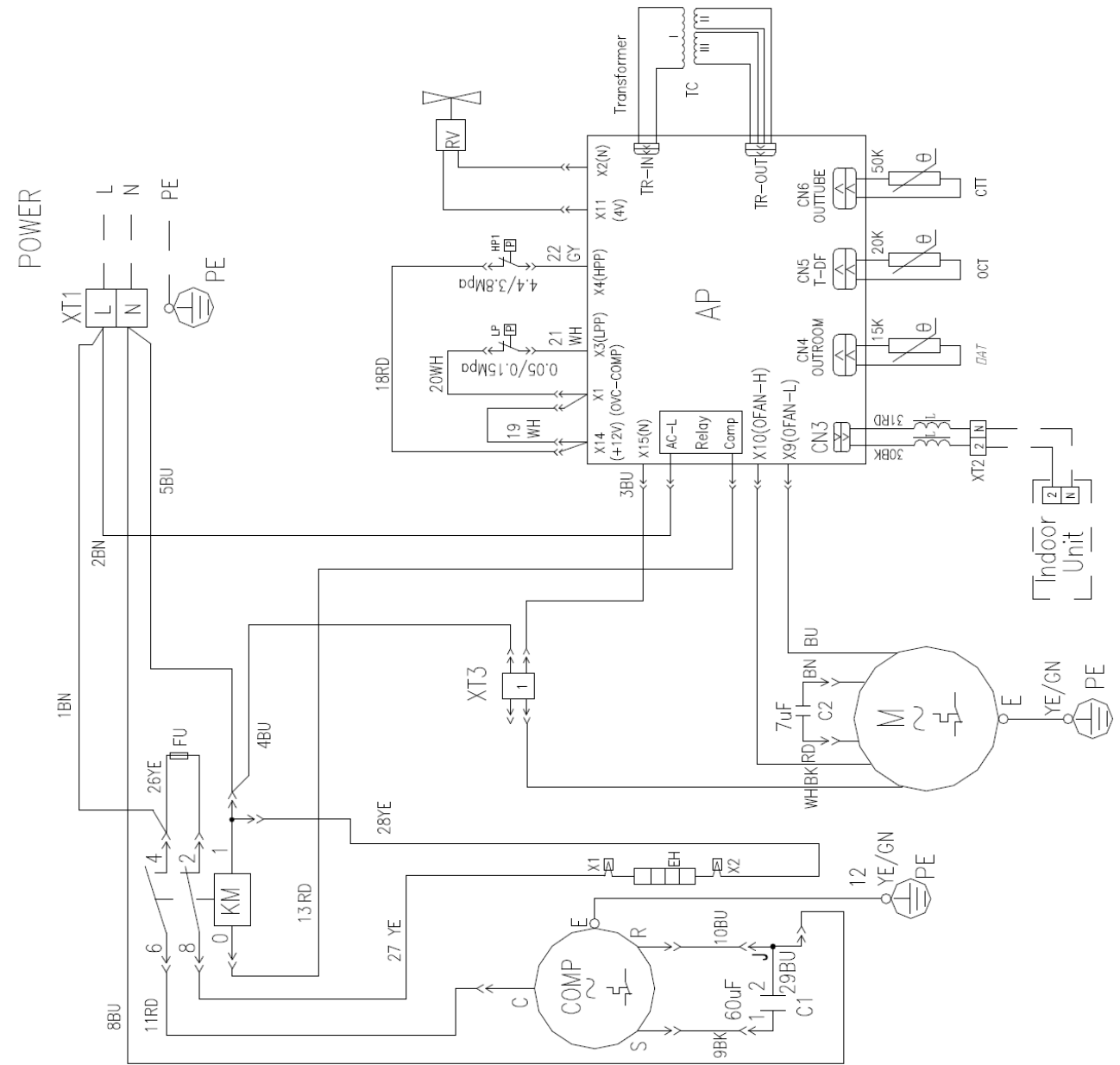


Legend:

- CTT:Compressor Discharge Thermistor
- OCT:Outdoor Coil Thermistor
- OAT:Outdoor Air Thermistor
- RD:Red WH:White BK:Black YE: Yellow
- BN:Brown BU:Blue YE/GN:Yellow/Green
- GY:Grey

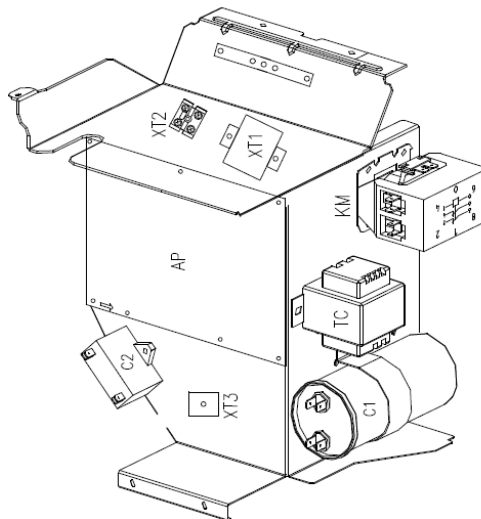


9.2.5 YIF030



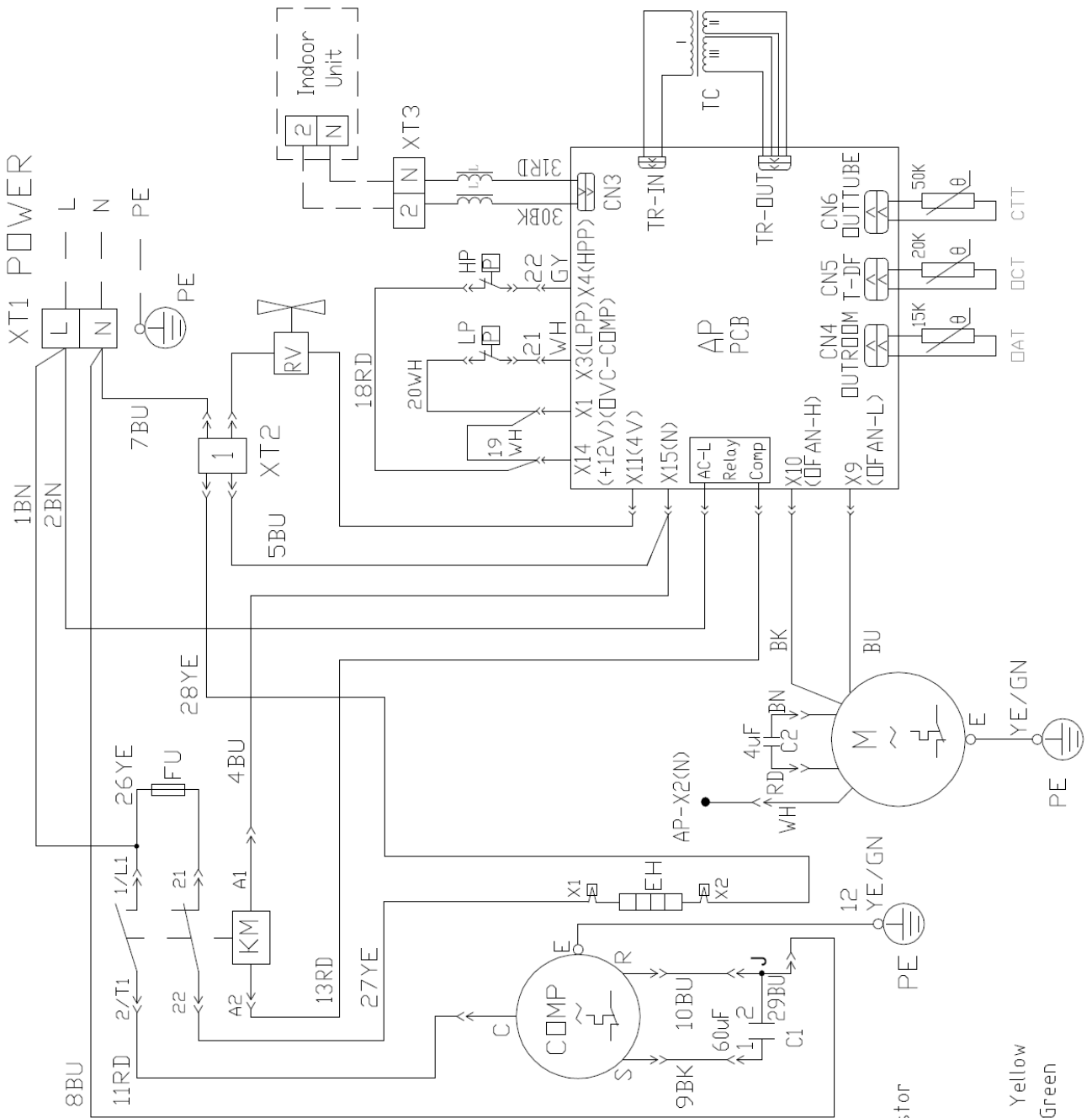
OUTDOOR UNIT

C	Capacitor
TC	Transformer
XT	Terminal Board
AP	PCB
KM	AC Contactor



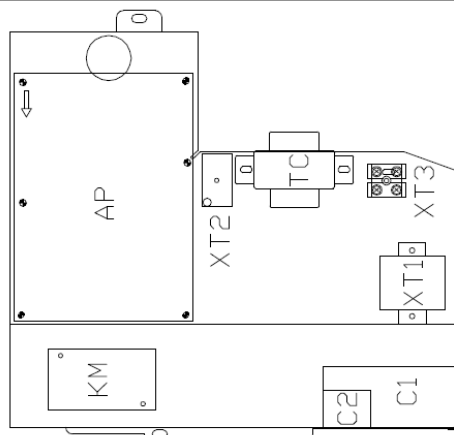
- Legend:
- CTT:Compressor Discharge Thermistor
 - OCT:Outdoor Coil Thermistor
 - OAT:Outdoor Air Thermistor
 - RD:Red WH:White BK:Black YE: Yellow
 - BN:Brown BU:Blue YE/GN:Yellow/Green
 - GY:Grey

9.2.6 YIF036



OUTDOOR UNIT

C	Capacitor
TC	Transformer
XT	Terminal Board
AP	PCB
KM	AC Contactor

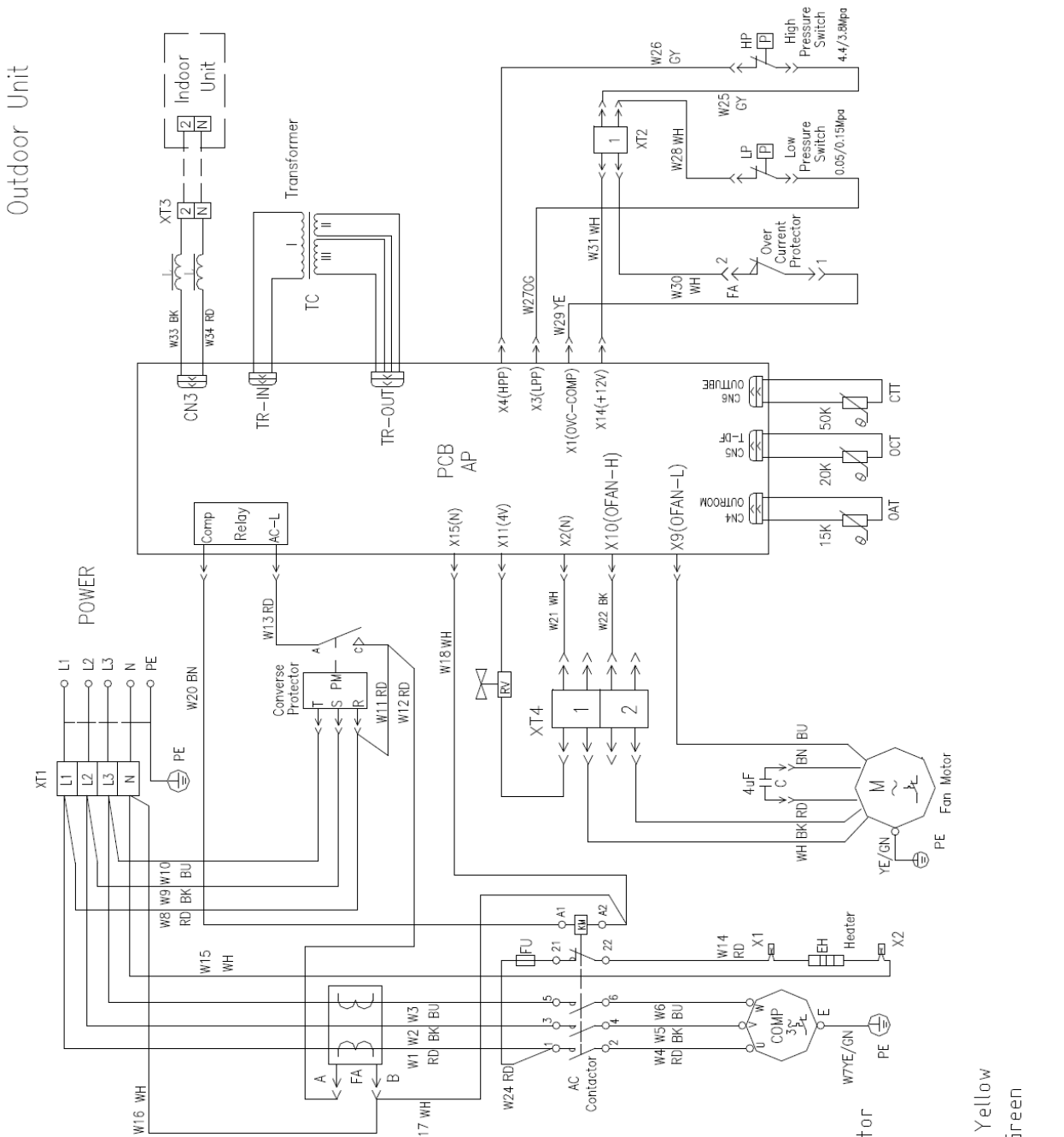


Legend:

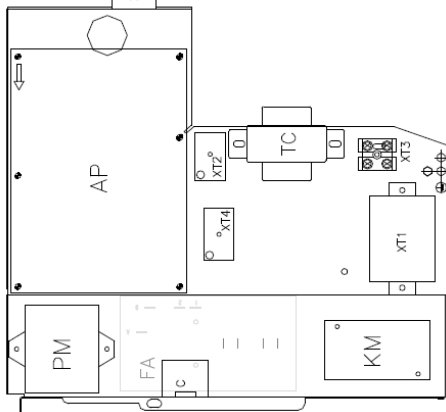
- CTT: Compressor Discharge Thermistor
- OCT: Outdoor Coil Thermistor
- OAT: Outdoor Air Thermistor
- RD: Red WH: White BK: Black YE: Yellow
- BN: Brown BU: Blue YE/GN: Yellow/Green
- GY: Grey

9.2.7 YIF036T

Outdoor Unit



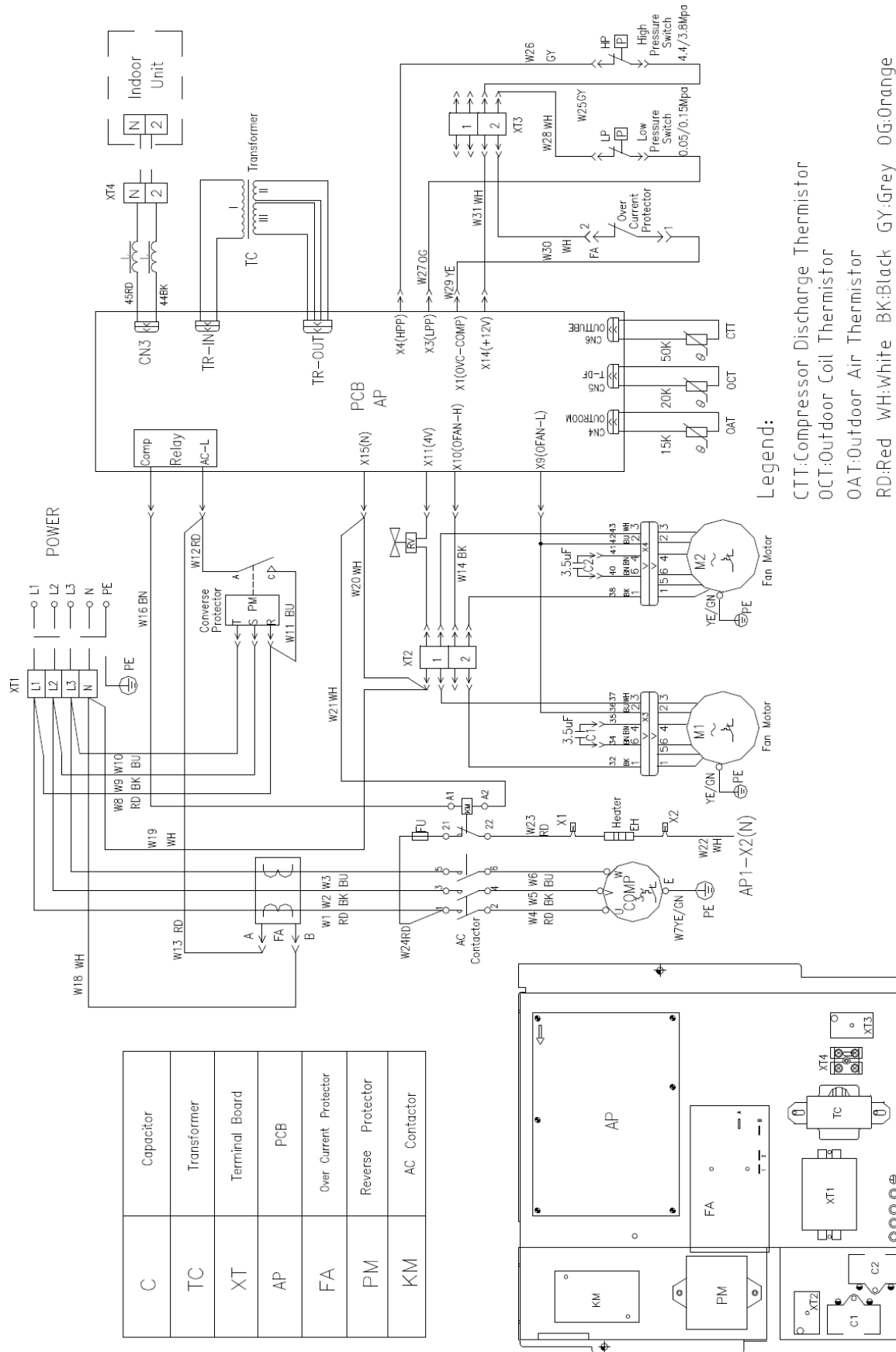
C	Capacitor
TC	Transformer
XT	Terminal Board
AP	PCB
FA	Over Current Protector
PM	Reverse Protector
KM	AC Contactor



- Legend:**
- CTT: Compressor Discharge Thermistor
 - OCT: Outdoor Coil Thermistor
 - OAT: Outdoor Air Thermistor
 - RD: Red
 - WH: White
 - BK: Black
 - YE: Yellow
 - BN: Brown
 - BU: Blue
 - YE/GN: Yellow/Green
 - GY: Grey
 - OG: Orange

9.2.8 YIF042

Outdoor Unit

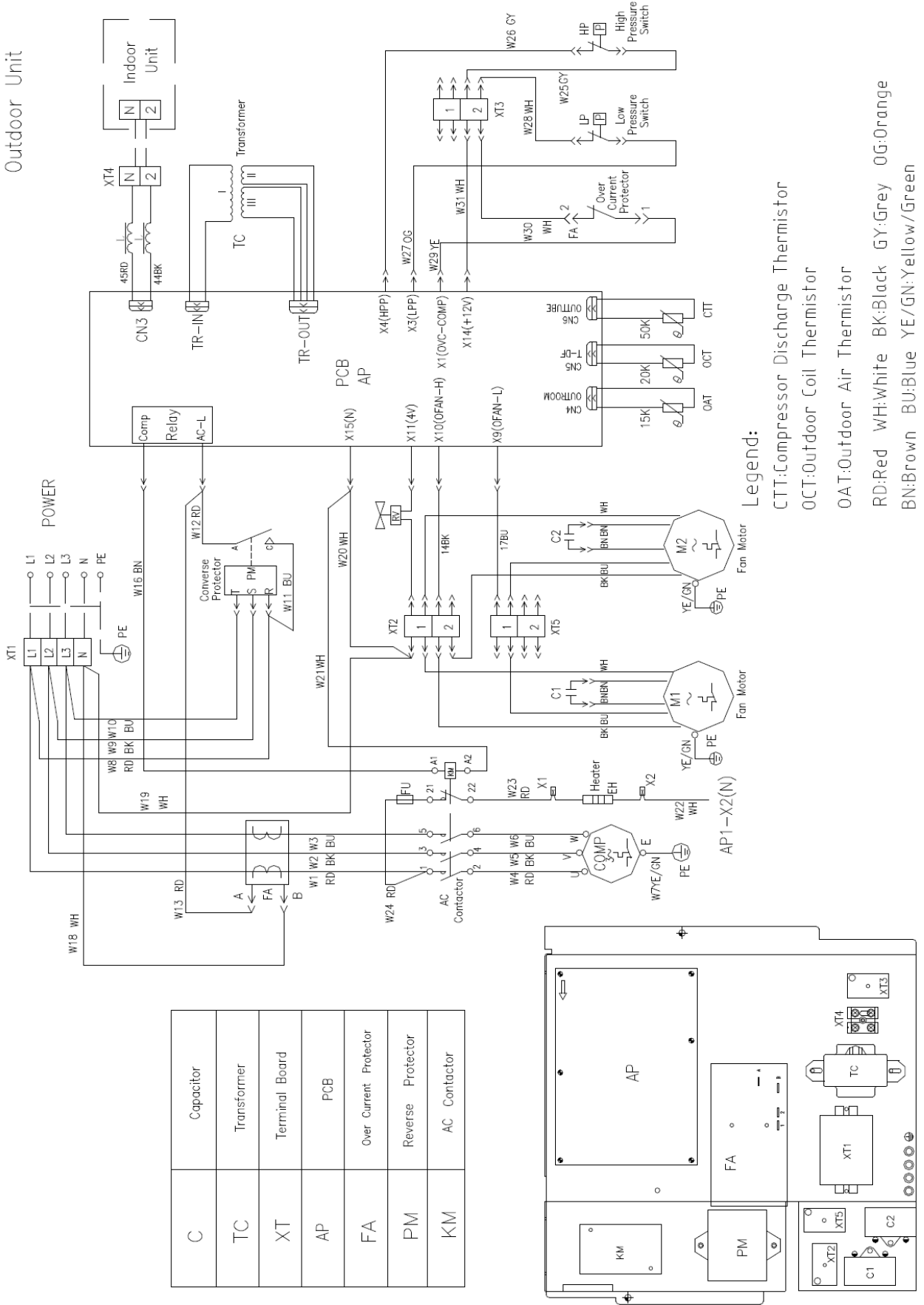


C	Capacitor
TC	Transformer
XT	Terminal Board
AP	PCB
FA	Over Current Protector
PM	Reverse Protector
KM	AC Contactor

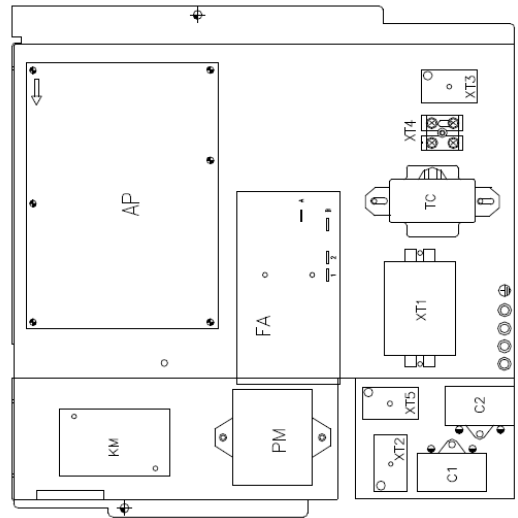
Legend:

- CTT: Compressor Discharge Thermistor
- OCT: Outdoor Coil Thermistor
- OAT: Outdoor Air Thermistor
- RD: Red WH: White BK: Black GY: Grey OG: Orange
- BN: Brown BU: Blue YE/ GN: Yellow/Green

9.2.9 YIF060

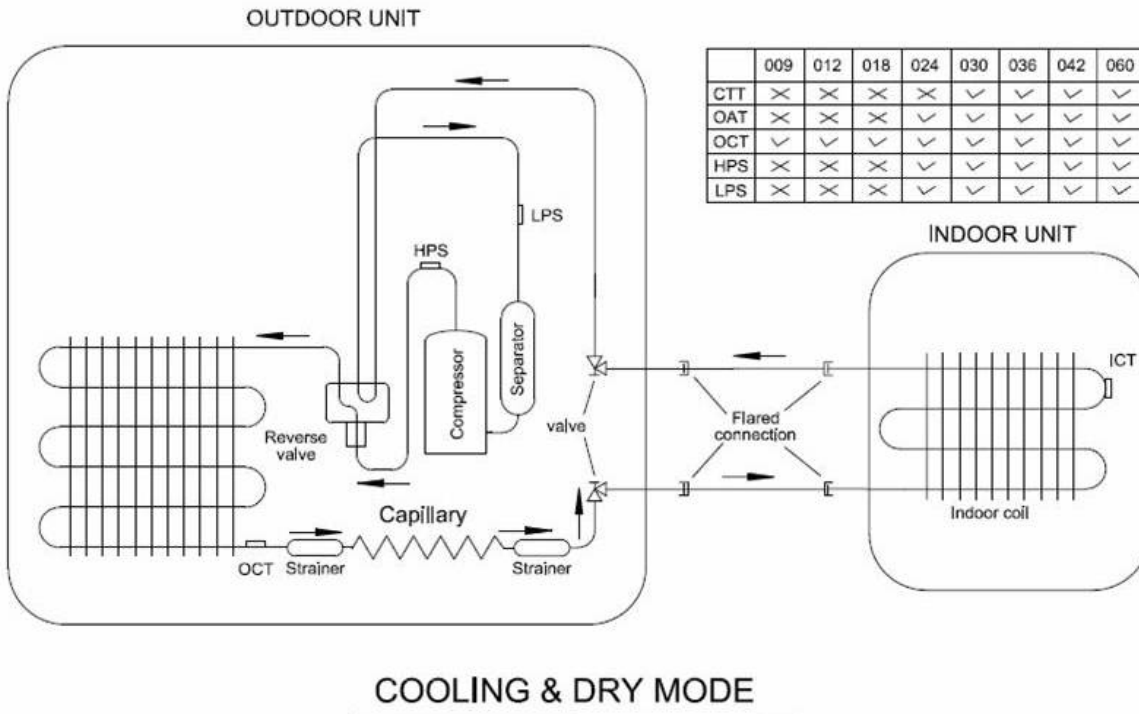


C	Capacitor
TC	Transformer
XT	Terminal Board
AP	PCB
FA	Over Current Protector
PM	Reverse Protector
KM	AC Contactor

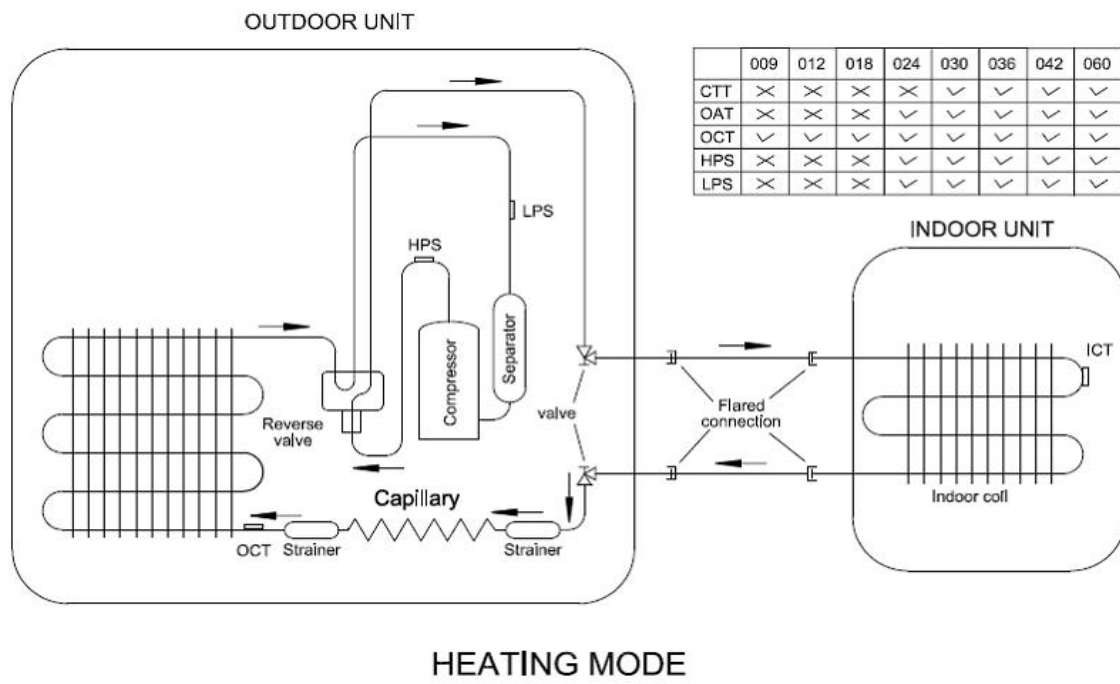


10. REFRIGERATION DIAGRAMS

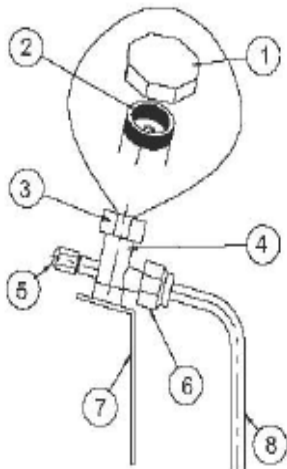
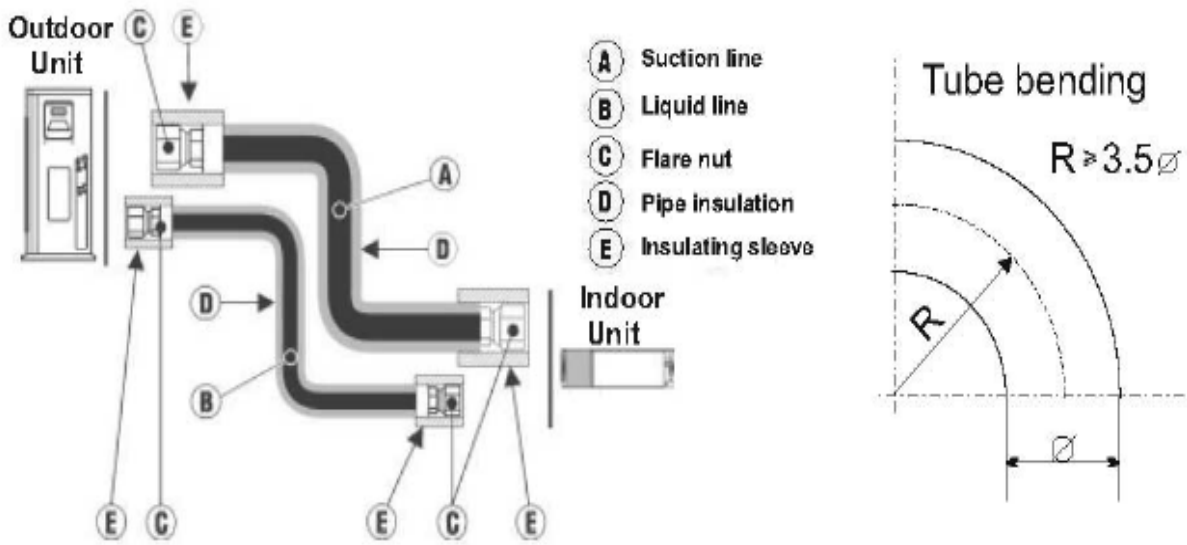
10.1 Cooling and Dry Mode



10.2 Heating Mode



11. TUBING CONNECTIONS



TUBE (Inch)	1/4"	3/8"	1/2"	5/8"	3/4"
TORQUE (Nm)					
Flare Nuts	15-18	40-45	60-65	70-75	80-85
Valve Cap	13-20	13-20	18-25	18-25	40-50
Service Port Cap	11-13	11-13	11-13	11-13	11-13

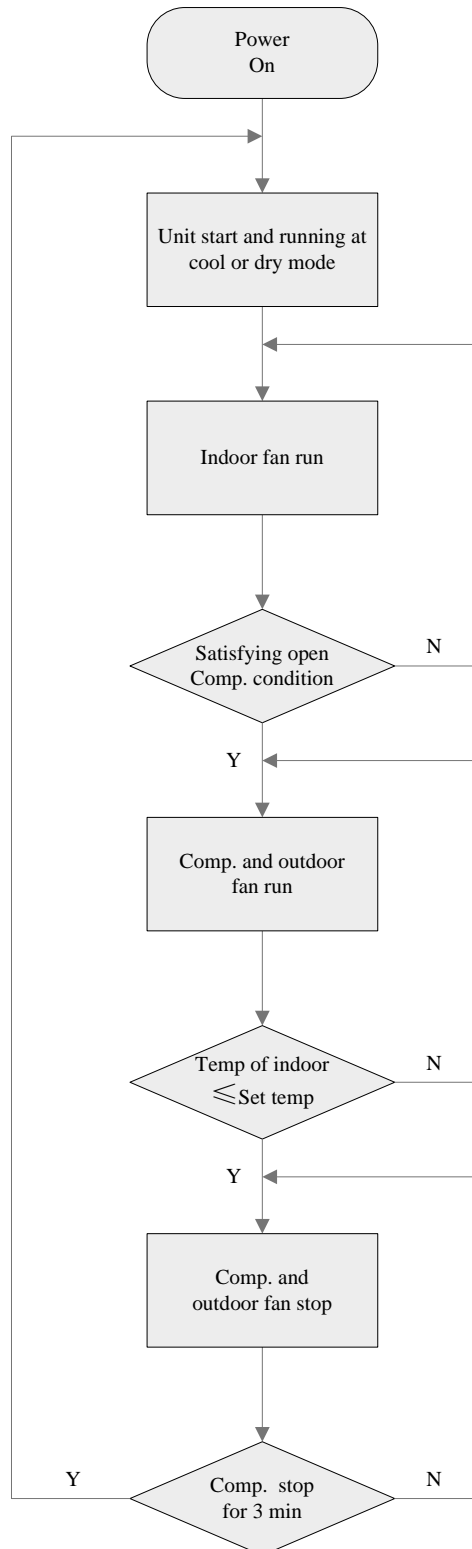
1. Valve Protection Cap-end
2. Refrigerant Valve Port (use Allen wrench to open/close)
3. Valve Protection Cap
4. Refrigerant Valve
5. Service Port Cap
6. Flare Nut
7. Unit Back Side
8. Copper Tube

When the outdoor unit is installed above the indoor unit, an oil trap is required every 5m along the suction line at the lowest point of the riser. In case the indoor unit is installed above the outdoor, no trap is required.

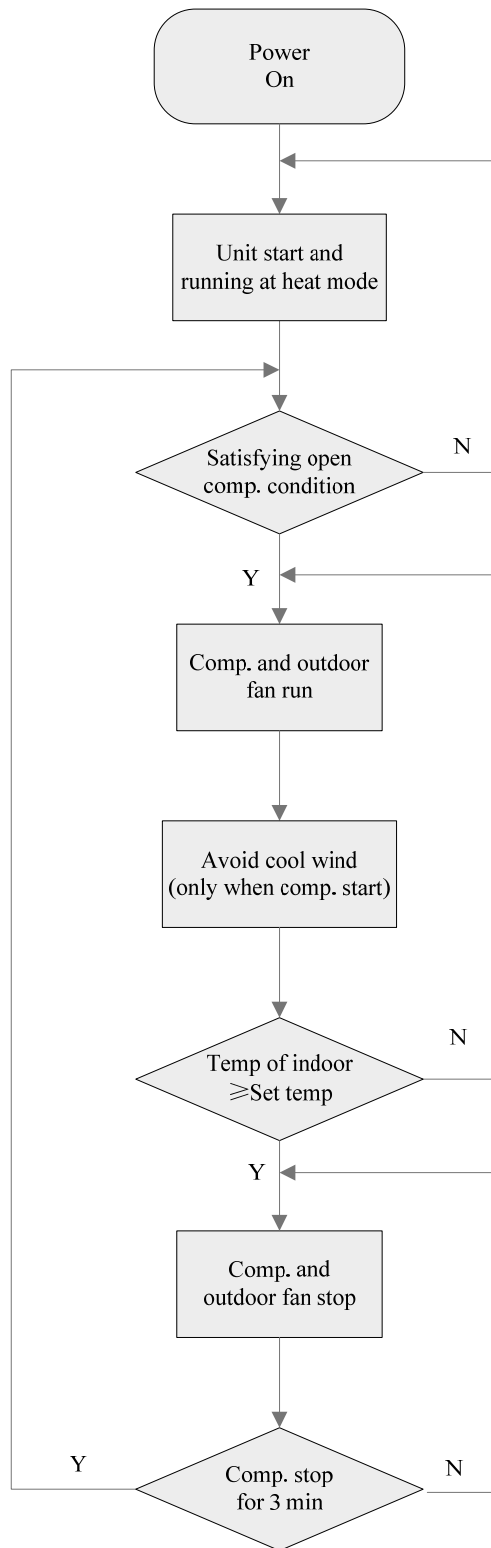
12. CONTROL SYSTEM

12.1 OPERATION FLOWCHART

Cooling/Dry Operation

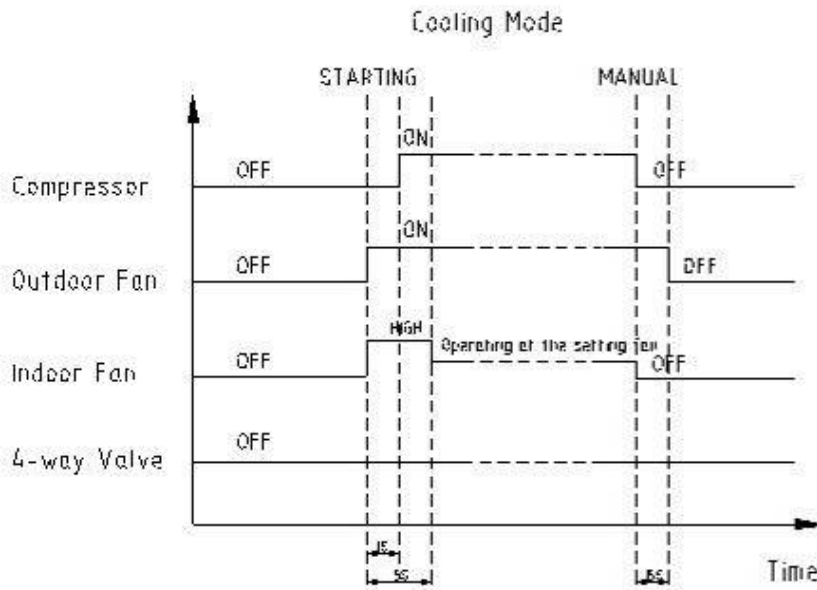


Heating Operation



12.2 MAIN LOGIC

12.2.1 Cooling Mode

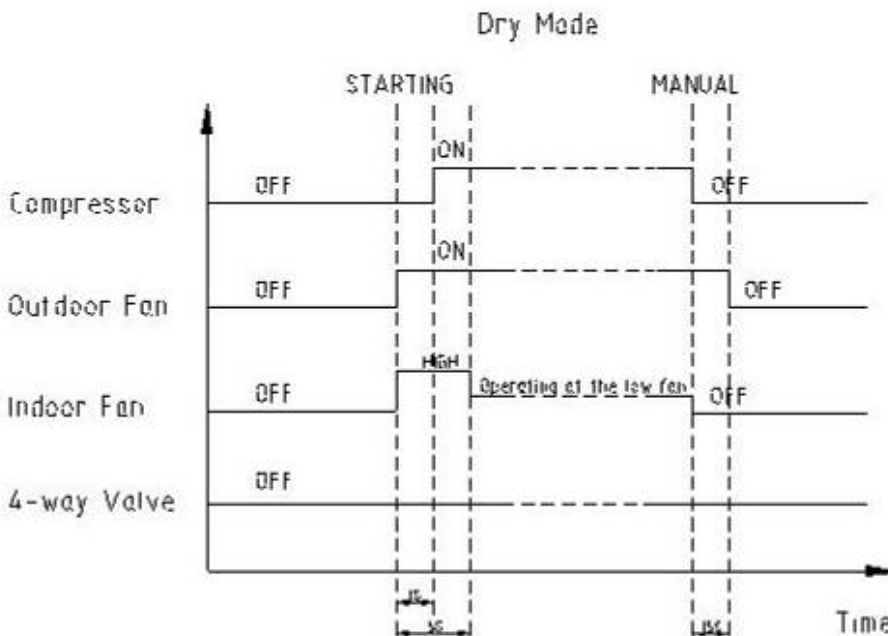


When $RAT \geq SPT + 1^\circ C$, the unit begins cooling operation, the compressor and the outdoor fan are running, the indoor fan is running at a set speed.

When $RAT \leq SPT - 1^\circ C$, the unit is in the cooling idle state, the compressor and the outdoor fan stop running, the indoor fan is running at a set speed.

When $SPT - 1^\circ C < RAT < SPT + 1^\circ C$, the unit keeps in the operation state.

12.2.2 Dry Mode

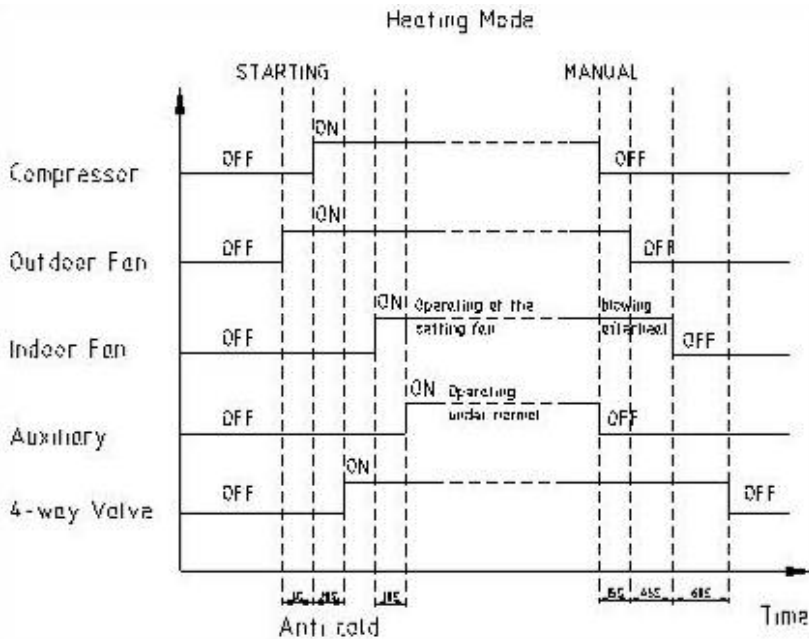


When $RAT \geq SPT + 2^\circ C$, the unit begins cooling operation, the compressor and the outdoor fan are running, the indoor fan is running at a low speed.

When $RAT \leq SPT - 2^\circ C$, the unit is in the cooling shutdown state, the compressor and the outdoor fan stop running.

When $SPT - 2^\circ C < RAT < SPT + 2^\circ C$, the unit is in the six-minute stop and four-minute operation state, that is, the compressor runs for 6 minutes and then stops for 4 minutes, in such cycle repeatedly; and the indoor fan operates at a low speed.

12.2.3 Heating Mode



When $RAT \leq SPT - 1^\circ C$, the unit begins heating operation, the compressor and the outdoor fan are running, the indoor fan is running at a set speed according to anti cold prevention conditions.

When $RAT \geq SPT + 1^\circ C$, the compressor and the outdoor fan stop running and the four-way valve keeps energized; and the indoor fan is running according to afterheat blowing conditions.

When $SPT - 1^\circ C < RAT < SPT + 1^\circ C$, the unit keeps in the previous operation state.

12.2.4 Fan Mode

In this mode, the indoor fan may run at high, medium, low and automatic speed. The indoor fan runs at a fast speed for 5s and then runs at a set speed.

The compressor, outdoor fan and 4-way valve will be OFF.

In this mode, the range of setting temperature is 16~30C

In Auto Fan user setting, fan speed will be adjusted automatically according to the difference between actual room temperature (RAT) and user set point temperature (SPT).

Indoor Fan Speed		High	Med	Low
RAT-SPT	Cooling	≥ 2	(0,2)	≤ 0
	Heating	≤ 0	(1,3]	> 3

12.3 Protections

12.3.1 Indoor Coil Defrost Protection

When the unit has been running for refrigeration or dehumidification for a period and the ICT < -2°C, the unit will report a fault and stops the compressor and the outdoor unit. The unit will begin to operate after ICT ≥ 10°C and the compressor will run again after 3 minutes stop.

12.3.2 Deicing Protection

Defrosting start conditions:

After the heating operation runs for an accumulated period of 44 minutes and the compressor continues to operate for 4 mins and 50 seconds, and a one-minute duration of OCT ≤ -5°C is detected, the unit begins defrosting. If an auxiliary heater is available, it must be stopped firstly, and after 10 seconds, the four-way valve, the indoor fan, the outdoor fan and the compressor will run compulsively.

Defrosting completion conditions:

When defrosting runs 10 minutes or OCT ≥ 10°C, defrosting will be completed. In such case, the four-way valve is running, the outdoor fan is running, the compressor is running compulsively, and the indoor fan operates according to anti cold prevention conditions.

12.3.3 Compressor over Heating Protection

After the compressor is started, if CTT ≥ 130 degree for continuous 30 seconds, E4 will be displayed, all loads (except for the four way valve) will be shut off, the compressor will stop for 3 minutes.

The complete system will restart after CTT < 90 degree. If such fault is reported for successive three times, the protection can not be restored itself.

12.3.4 Compressor high pressure Protection

When high pressure protection is detected for continuous 3 seconds, all loads are shut off (except for the four way valve), all buttons and remote control signals except for button ON/OFF are shielded. It cannot recover automatically, the unit should be powered off and on, or failure should be removed after power supply is restored.

12.3.5 Compressor low pressure Protection

When the unit is started or at standby (detection will begin 3 minutes after the compressor is started up) and detected breakdown of the low pressure switch for continuous 30 seconds, a fault is reported.

The unit can be recovering automatically after the first 2 reported faults within 30 minutes. The third reported fault and so on can not be recovered automatically.

12.3.6 Compressor over load Protection

After the compressor is started, if the overload switch of the compressor is detected to shut off, the fault is reported. All loads (except for the four way valve) are shut off, the fault is displayed, and the compressor will stop for 3 minutes.

If the fault is removed, the compressor can be restarted to run. If successive three compressor overload protection faults are detected within 30 minutes, the unit can not be restored itself and the buzzer will give out an alarm. Push the ON/OFF button to shut off the unit. Then push ON/OFF button again, if over load protection disappears, operation will restore. Otherwise, the fault is displayed.

12.3.7 Water Over Flow Protection

Water Over Flow is detected for continuous 8 seconds after the system is powered on, the water full protection is initiated and the indicator is twinkling (or E9 is displayed).

In cooling and dry mode, the outdoor fan and the compressor are shut off and the indoor fan stops after 1 minute delay. In heating mode, the outdoor fan and the compressor are shut off, the four way valve keeps at the previous status, and the indoor fan stops after 1 minute delay. In fan mode, the load of indoor unit remains.

12.3.8 Indoor overheating in heating mode

During Heat Mode, the protection of indoor overheating prevents abnormal high pressure.

When ICT reaches 58C, OFAN will stop operating and resume operating if the ICT go to normal.

13. TROUBLESHOOTING

13.1 TROUBLE TABLE

Trouble Code	Trouble Name	Origin of Trouble Signal	Control Description
E0	Pump Failure	Pump	If water full protection continues for 2 hours and fails to restore, it is believed that the water pump is at fault and all loads are shut off and fail to restore automatically.
E1	Compressor High Pressure Protection	High pressure switch	When high pressure protection is detected for continuous 3 seconds, all loads are shut off (except for the four way valve), all buttons and remote control signals except for button on/off are shielded and fail to restore automatically, the unit should be powered off and on, or failure should be removed after power supply is restored.
E2	IDU Freezing Protection	ICT	When the unit has been running in cool and dry mode for a period and ICT is lower than -2°C , the unit will report a fault and stops the compressor and the outdoor unit. The unit will begin to operate after $\text{ICT} \geq 10^{\circ}\text{C}$, the compressor will run again after 3 minutes stop.
E3	Compressor Low Pressure Protection	Low pressure switch	When the unit is started or at standby (detection will begin 3 minutes after the compressor is started up) and detected breakdown of the low pressure switch for continuous 30 seconds, a fault is reported. The unit can be restored automatically after the first 2 reported faults within 30 minutes. The third reported fault and so on can not be restored automatically.
E4	Compressor Over Heating Protection	CTT	After the compressor is started, if CTT is detected to be more than or equal to 130 degree for continuous 30 seconds, E4 will be displayed, all loads (except for the four way valve) will be shut off, the compressor will stop for 3 minutes and the complete system will restore after CTT is lower than 90 degree. If such fault is reported for successive three times, the protection can not be restored itself.
E5	Compressor Overload Protection	Overload protector	After the compressor is started, if the overload switch of the compressor is detected to shut off, the fault is reported. All loads (except for the four way valve) are shut off, the fault is displayed, and the compressor will stop for 3 minutes. If the fault is removed, the compressor can be restarted to run. If successive three compressor overload protection faults are detected within 30 minutes, the unit can not be restored itself and the buzzer will give out an alarm. Push the ON/OFF button to shut off the unit. Then push ON/OFF button again, if the protection disappears, operation

Trouble Code	Trouble Name	Origin of Trouble Signal	Control Description
			will restore. Otherwise, the fault is displayed.
E6	Communications Failure	Communication	<p>When outdoor unit is energized and fails to receive data of indoor unit within 30 seconds, an indoor unit communication fault is reported. The compressor and the outdoor unit will be shut off, and the four way valve will be stopped 2 minutes after the compressor outage in heating state.</p> <p>If indoor unit fails to receive information of outdoor unit, a communication fault is reported. The indoor unit is shut off and an indicator is twinkling. If the display board fails to receive information of outdoor unit, a communication fault is determined and displayed and the unit does not actuate. After communication becomes normal, the system can restore to the previous running state itself.</p>
E8	Indoor Fan Protection	Indoor unit	<p>If fan overload protection is detected for continuous 3 seconds, relevant compressor and fan shall be shut off immediately and a fault code E8 is displayed, and at the same time, the buzzer gives out an alarm. Push the ON/OFF key, if the fault disappears, clear the fault display and push the ON/OFF key for restarting the system.</p>
E9	Full Water Protection	Liquid level switch	<p>Water full is detected for continuous 8 seconds after the system is powered on, the water full protection is initiated and the indicator is twinkling (or E9 is displayed). Under refrigeration and dehumidification mode, the outdoor fan and the compressor are shut off and the indoor fan stops after 1 minute delay; under heating mode, the outdoor fan and the compressor are shut off, the four way valve keeps at the previous status, and the indoor fan stops after 1 minute delay; under air supply mode, the load of indoor unit remains.</p>
F0	Failure of RAT	RAT	<p>When RAT failure is detected for continuous 5 seconds, RAT will be set compulsively at 24 degree, the system does not take any measure, and only the indicator is twinkling or fault code F0 is displayed. After the fault is removed, the system can restore operation by itself. In FAN mode, only the fault is displayed and the indoor fan is running normally. The fault display disappears when the fault is removed.</p>
F1	Failure of ICT	ICT	<p>When ICT failure is detected for continuous 5 seconds, in cool and dry mode, the system will be shut off. In heating mode, all loads except for the four way valve are shut off. The indicator is twinkling or fault code F1 is displayed. The system can restore by itself and display fault elimination after the fault is removed. Under FAN</p>

TROUBLESHOOTING



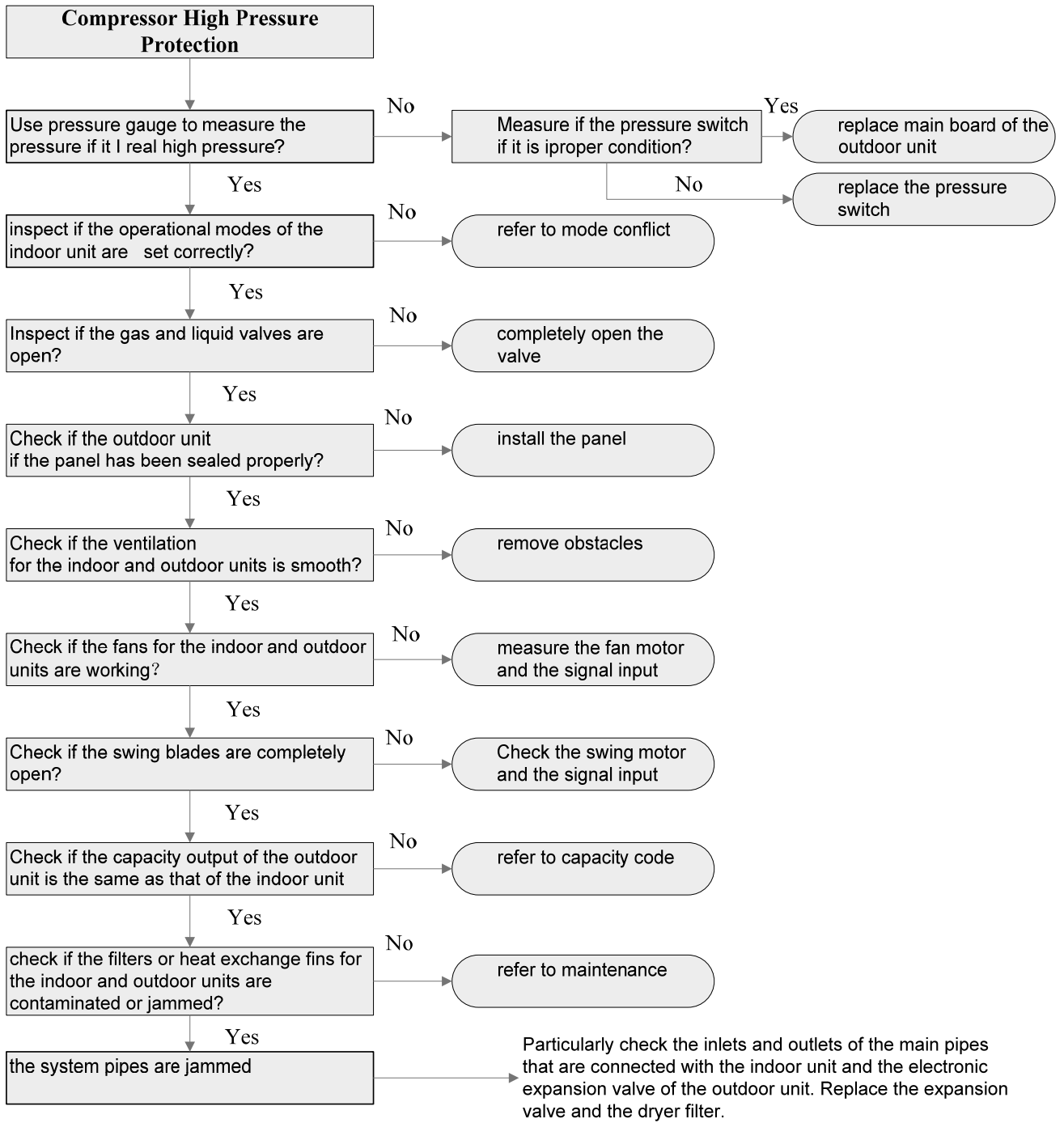
Trouble Code	Trouble Name	Origin of Trouble Signal	Control Description
			mode, only the fault is displayed and the indoor unit is running normally. The fault display disappears when the fault is removed.
F2	Failure of OCT	OCT	When OCT failure is detected for continuous 5 seconds, in cool and dry mode, the system will be shut off. In heating mode, all loads except for the four way valve are shut off. The indicator is twinkling or fault code F2 is displayed. The system can restore by itself and display fault elimination after the fault is removed. Under FAN mode, only the fault is displayed and the indoor unit is running normally. The fault display disappears when the fault is removed. For other types of refrigeration machines except for air duct machine, condenser thermal bulb is not detected.
F3	Failure of OAT	OAT	When OAT failure is detected for continuous 5 seconds, in cool and dry mode, the system will be shut off. In heating mode, all loads except for the four way valve are shut off. The indicator is twinkling or fault code F3 is displayed. The system can restore by itself and display fault elimination after the fault is removed. Under FAN mode, only the fault is displayed and the indoor unit is running normally. The fault display disappears when the fault is removed.
F4	Failure of CTT	CTT	After the compressor is started, CTT failure is detected for continuous 5 seconds,. Under cool and dry mode, all loads will be shut off. Under heating mode, all loads except for the four way valve are shut off. The indicator is twinkling or fault code F4 is displayed. And the buzzer gives out an alarm. After the fault is removed, the system will restore by itself and clear the fault code. If CTT is short circuited, under cool and dry mode, all loads will be shut off. Under heating mode, all loads except for the four way valve are shut off. The indicator is twinkling or fault code F4 is displayed. And the buzzer gives out an alarm. After the fault is removed, the system will restore by itself and clear the fault code.
F5	Failure of RAT(at RCW)	RCW	When RAT(at RCW) failure is detected for continuous 5 seconds, RAT will be set compulsively at 24 degree, the system does not take any measure, and only the indicator is twinkling or fault code F0 is displayed. After the fault is removed, the system can restore operation by itself. Under FAN mode, only the fault is displayed and the indoor fan is running normally. The fault display disappears when the fault is removed.

13.2 FLOW CHART OF TROUBLESHOOTING

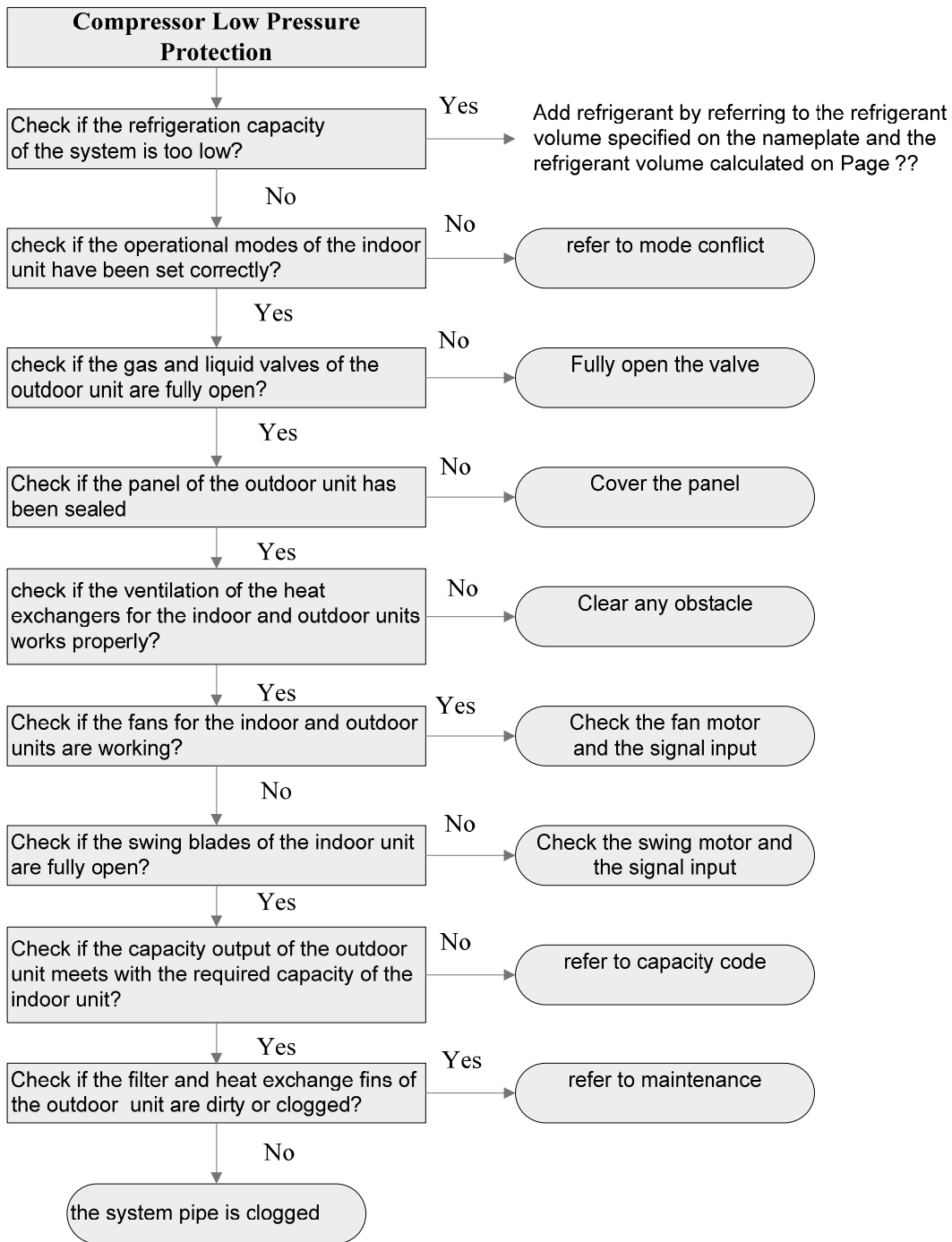
Service personnel shall collect the malfunction information as much as possible and research them thoroughly, list these electrical parts which may cause malfunction, service personnel shall be able to determine the specific reason and solve the faulted parts.

- Observe the status of the complete device and do not observe the partial
- It is advised to start from the simple operation during analyzing ,judging and confirming malfunction reason, then conduct the complicated operations such removal of device, part replacement and refrigerant filling.
- Find the malfunction reason carefully as unit may occur several malfunction at the same time and one malfunction may develop into several malfunction, so entire system analysis shall be established to make the judged result exact and credible .

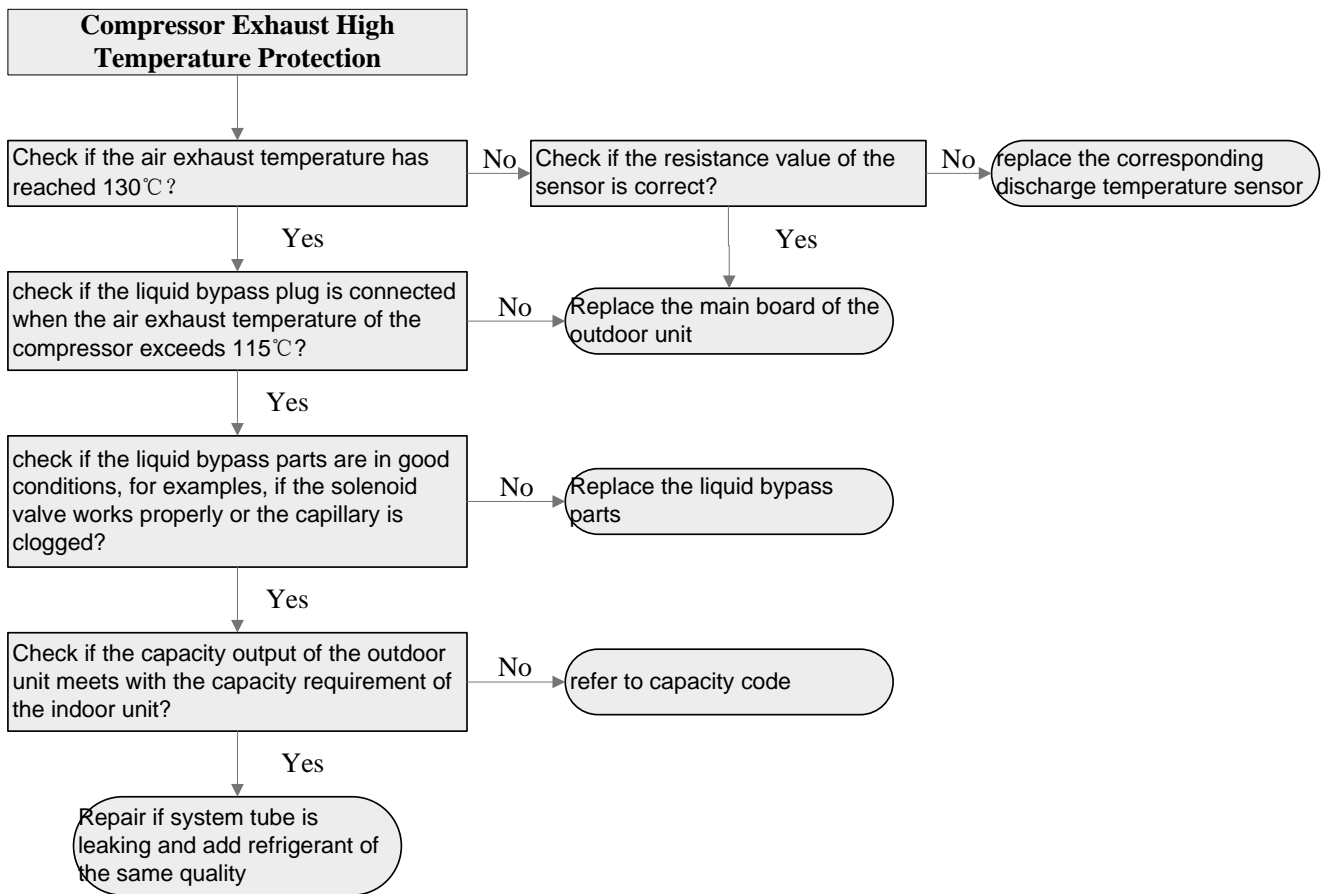
◆ Malfunction display: E1 Compressor High Pressure Protection



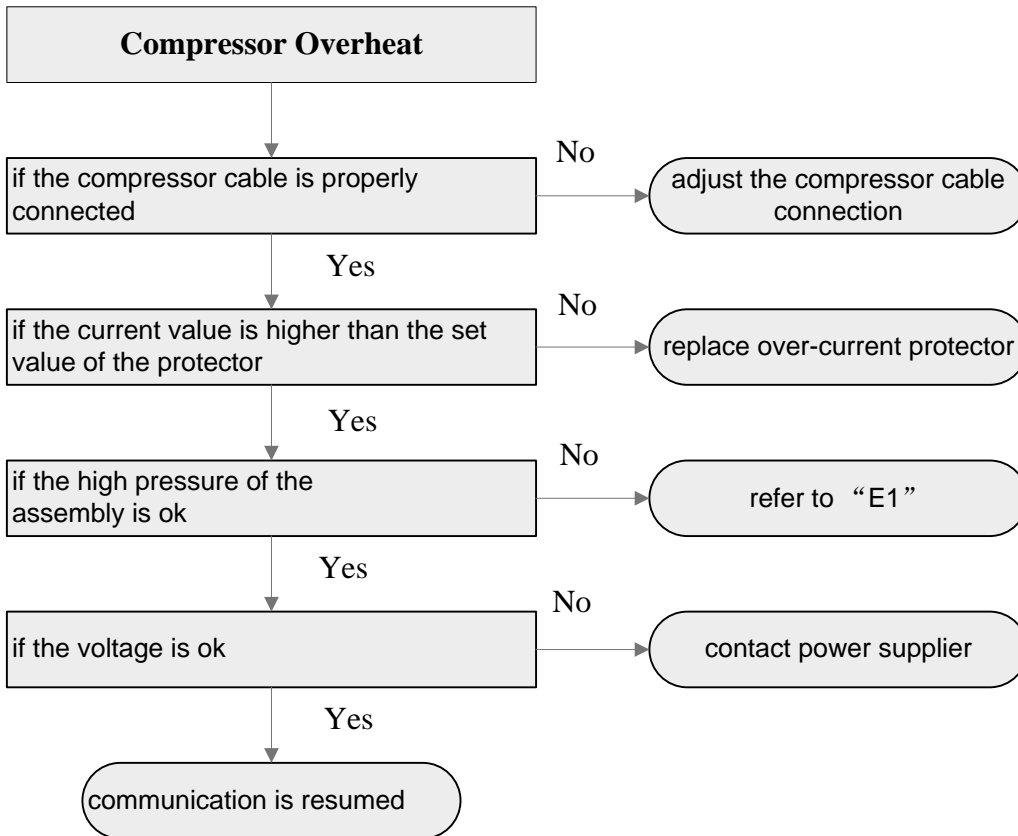
◆ Malfunction display: E3 Compressor Low Pressure Protection



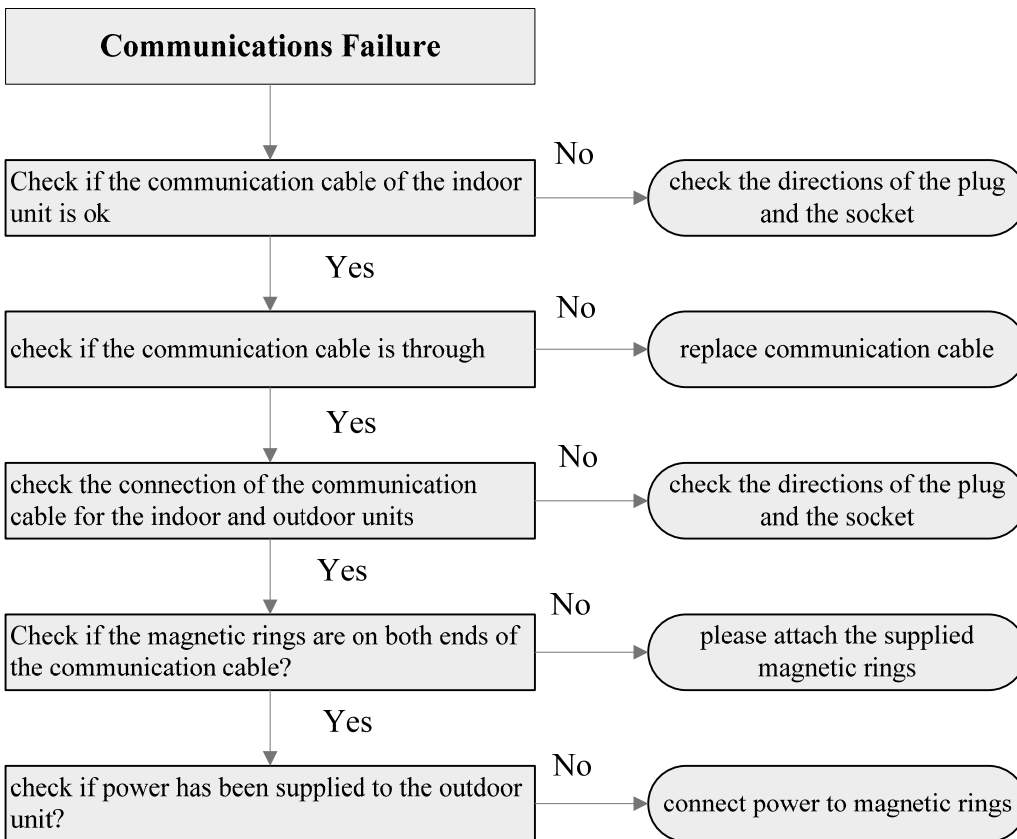
◆ Malfunction display: E4 Compressor Exhaust High Temperature(CTT) Protection



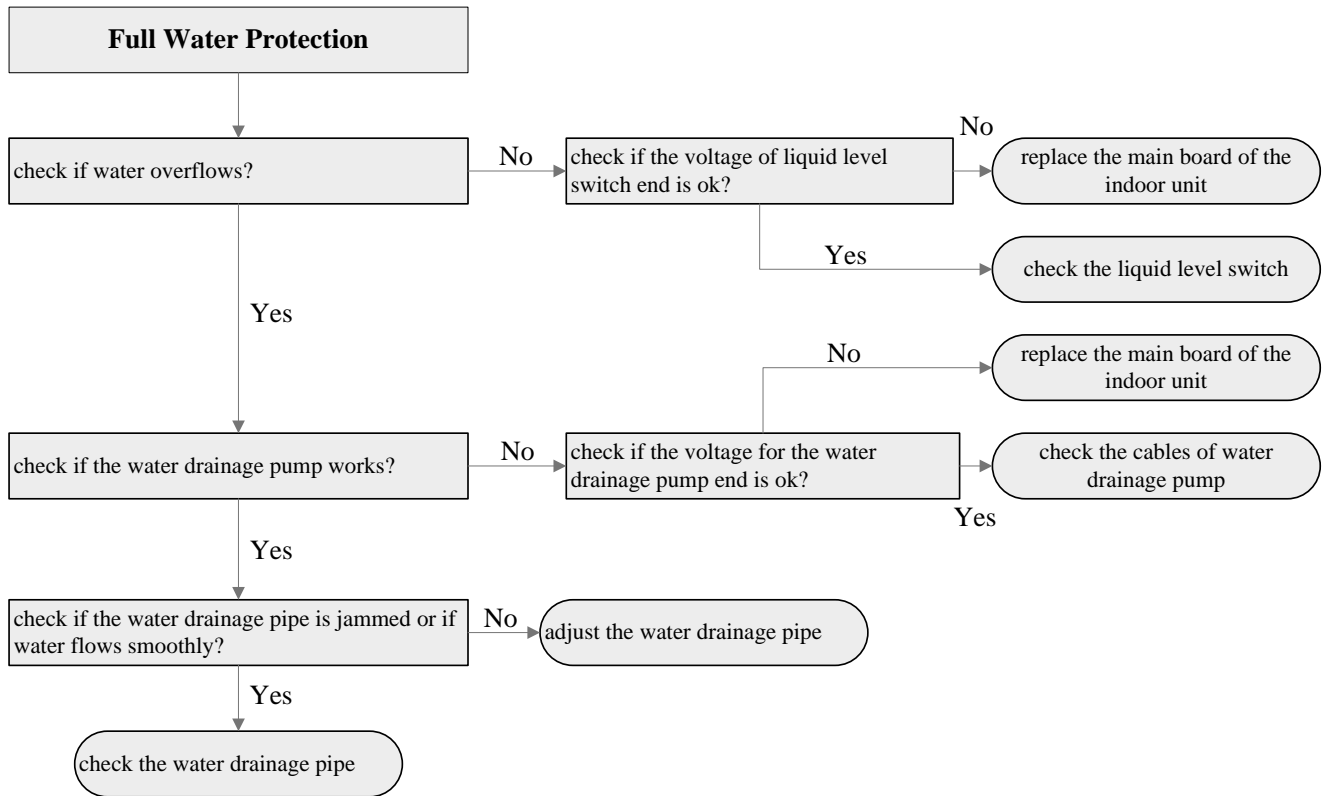
◆ Malfunction display: E5 Compressor Overload



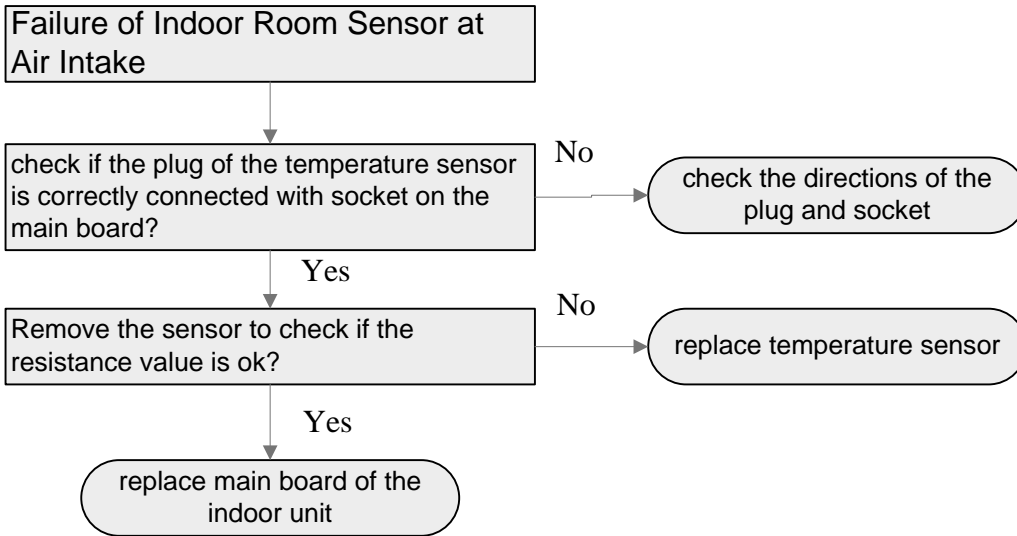
◆ Malfunction display: E6 Communications Failure



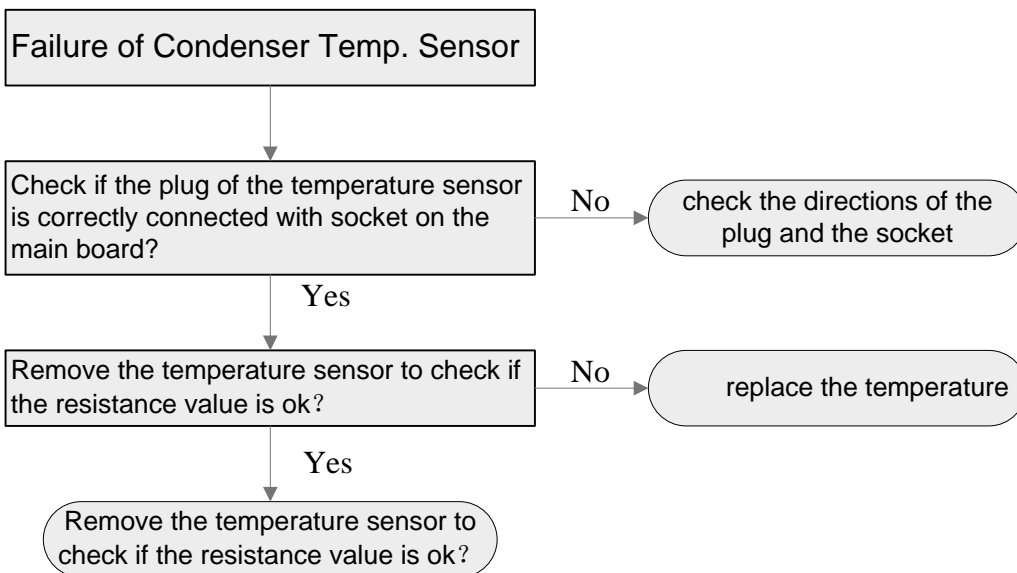
◆ Malfunction display: E9 Water Full Protection



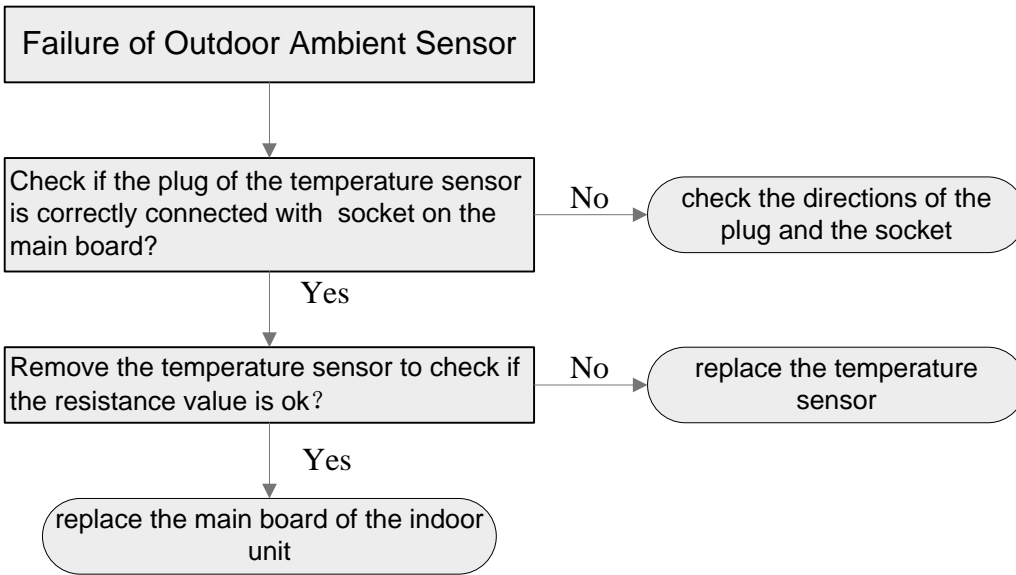
◆ Malfunction display: F0 Failure of RAT



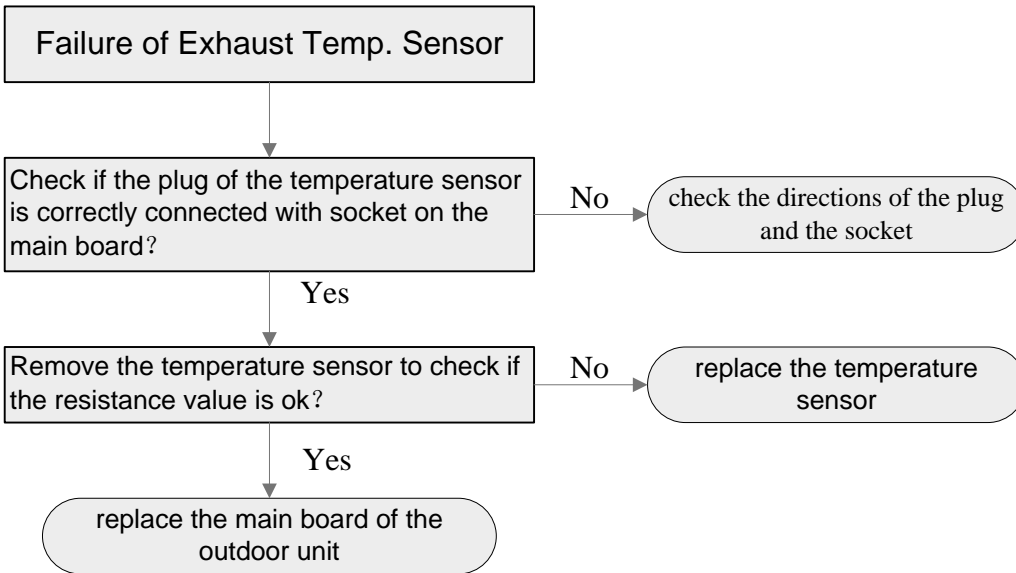
◆ Malfunction display: F1 Failure of ICT



◆ Malfunction display: F3 Failure of OAT



◆ Malfunction display: F4 Failure of Exhaust Temp. Sensor(CTT)



◆ Malfunction display: F5 Failure of RAT at RCW

Failure of Indoor Room Sensor at Wire Controller

Check if the plug of the temperature sensor is correctly connected with socket on the main board?

No

check the directions of the plug and the socket

Yes

Remove the temperature sensor to check if the resistance value is ok?

No

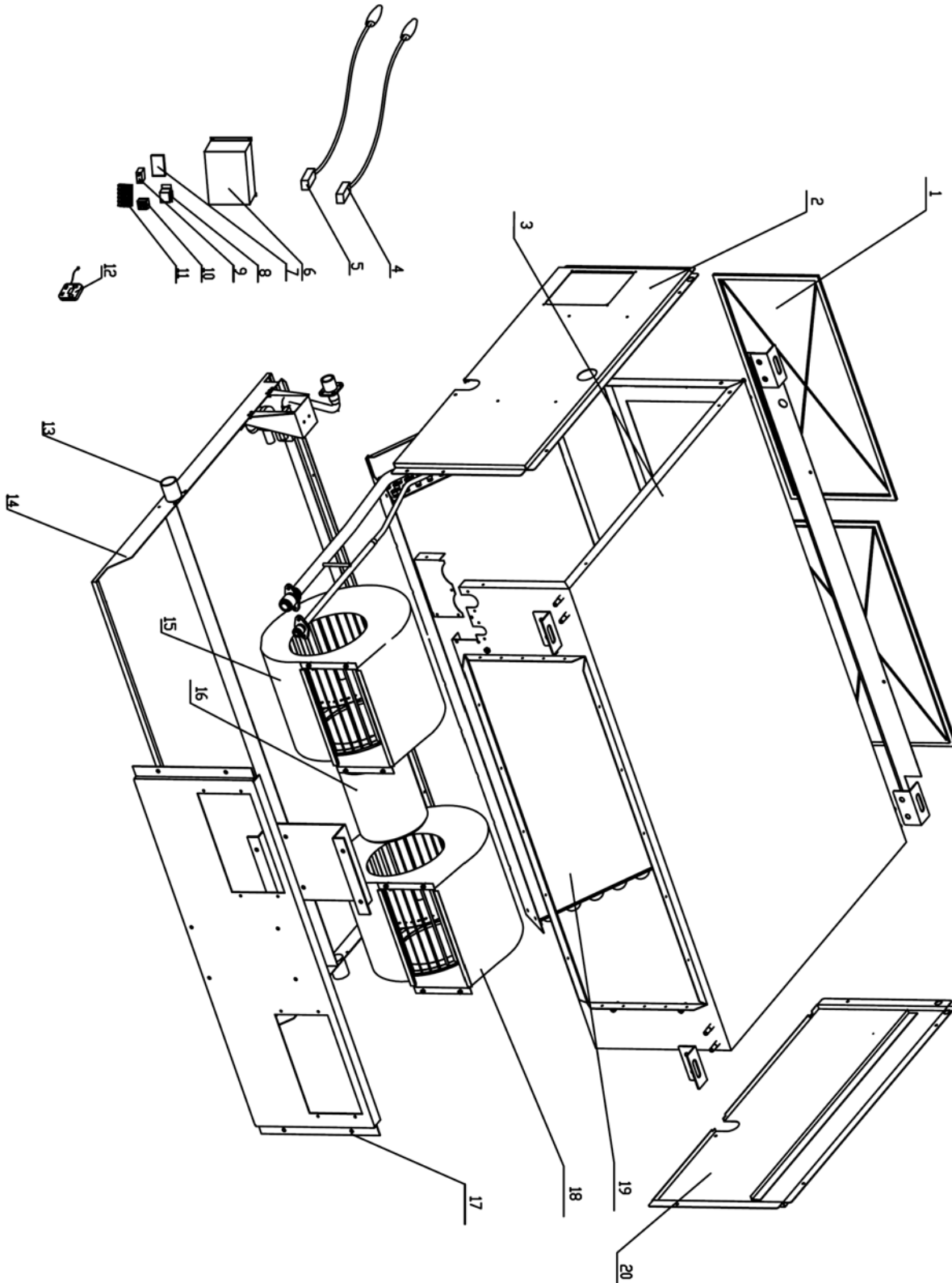
replace the temperature sensor

Yes

replace the main board of the outdoor unit

14. EXPLODED VIEW & SPARE PART LIST

14.1 Exploded view of Indoor unit: for DAF all models



14.2 Spare part list of Indoor Unit DAF009

NO.	Part Code	Part Description	qty
1	11725201	Filter Sub-Assy	1
2	01499051	Seal of Left Side Plate	1
3	01259051	Top Cover Plate	1
4	3900012123G	Temperature Sensor	1
5	390001921G	Tube Sensor	1
6	01395768	Electric Box Assy	1
7	30228205	Main PCB2 Z8235	1
8	43110239	Transformer	1
9	33010020	Capacitor	1
10	420101851	Terminal Board	1
11	42010194	Terminal Board	1
12	30294219_K38101	Display Board	1
13	01279051	Water Tray Assy	1
14	01259054	Lower Cover Plate Sub-Assy	1
15	10319051	Centrifugal Fan	1
16	1570520102	Fan Motor	1
17	01339095	Fan Fixed Plate	1
18	150024011	Motor Sub-Assy	2
19	010087043	Evaporator Assy	1
20	01309054	Right Side Plate Assy	1
	06320020	Pipe Connection Nut accessories	1
	02112446	Hook	4
	70819522	Bar Clasp	4
	70819521	Hoop	1
	01719521	Motor Support	1
	01425269	Electric Box Cover	1
	01498783	Side Plate of Air outlet	1
	01499053	Seal of Connection Pipe	1
	01078770	Upper Cover Plate of Evaporator	1
	42020063	Sensor Insert	1
	11120011	Filter Sub-Assy	1
	11120012	Filter Sub-Assy	1
	22202029	Rear Snail Shell	1
	22202030	Front Volute Casing	1
	01079055	Left Evaporator Support	1
	01079056	Evaporator Support	1
	76712455	Choke Plug of Drain Pipe	1
	30510460	Remote controller YX1F1	1

14.3 Spare part list of Indoor Unit DAF012

NO.	Part Code	Part Description	qty
1	11725201	Filter Sub-Assy	1
2	01499051	Seal of Left Side Plate	1
3	01259051	Top Cover Plate	1
4	3900012123G	Temperature Sensor	1
5	390001921G	Tube Sensor	1
6	01395767	Electric Box Assy	1
7	30228205	Main PCB2 Z8235	1
8	43110239	Transformer	1
9	33010027	Capacitor CBB61 1A(3uF/450V)	1
10	420101851	Terminal Board	1
11	42010194	Terminal Board	1
12	30294219_K38101	Display Board	1
13	01279051	Water Tray Assy	1
14	01259054	Lower Cover Plate Sub-Assy	1
15	10319051	Centrifugal Fan	1
16	1570520103	Fan Motor	1
17	01339095	Fan Fixed Plate	1
18	10319051	Centrifugal Fan	1
19	010090583	Evaporator Assy	1
20	01309054	Right Side Plate Assy	1
	70819521	Hoop	1
	01719521	Motor Support	1
	01845221	Electrical Retaining Plate	1
	01498783	Side Plate of Air outlet	1
	22202029	Rear Snail Shell	2
	22202030	Front Volute Casing	2
	01499053	Seal of Connection Pipe	1
	01078770	Upper Cover Plate of Evaporator	1
	42020063	Sensor Insert	1
	76515202	Cable-Cross Loop	1
	01079055	Left Evaporator Support	1
	01079056	Evaporator Support	1
	30510460	Remote controller YX1F1	1
	76712455	Choke Plug of Drain Pipe	1
	01425269	Electric Box Cover	1
	70819522	Bar Clasp	4
	02112446	Hook	4
	06320020	Pipe Connection Nut accessories	1

14.4 Spare part list of Indoor Unit DAF018

NO.	Part Code	Part Description	qty
1	11725202	Filter sub-assy	1
2	01315295	Left Side Plate Assy	1
3	01259064	Upper Cover Plate Assy	1
4	3900012123G	Temperature Sensor	1
5	390001921G	Tube Sensor	1
6	01395766	Electric Box Assy	1
7	30228205	Main PCB2 Z8235	1
8	43110239	Transformer	1
9	33010027	Capacitor CBB611A(3uF/450V)	1
10	420101851	Terminal Board	1
11	42010194	Terminal Board	1
12	30294219_K38101	Display Board	1
13	01278633	Water Tray Sub-Assy	1
14	01265296	Bottom Cover	1
15	15002401	Motor Sub-Assy	2
16	1570520201	Fan Motor	1
17	01339058	Fan Fixed Plate	1
18	10319051	Centrifugal Fan	1
19	01025312	Evaporator Assy	1
20	01308670	Right Side Plate Assy	1
	22202029	Rear Snail Shell	1
	22202030	Front Volute Casing	1
	01425269	Electric Box Cover	1
	01258650	Cover of Air Intake	1
	01498641	Air Intake Assy	1
	02118504	Hook	4
	76712454	Choke Plug of Water Pipe	1
	01498640	Seal of Connection Pipe 1	1
	01498644	Seal of Connection Pipe 2	1
	30510460	Remote controller YX1F1	1
	01845221	Electrical Retaining Plate	1
	02225234	Side Plate of Air intake	1

14.5 Spare part list of Indoor Unit DAF024

NO.	Part Code	Part Description	qty
1	11125303	Filter Sub-assy	2
2	01315343	Left Side Plate Sub-Assy	1
3	01265301	Top Cover	1
4	3900012123G	Temperature Sensor	1
5	3900012121G	Temperature Sensor	1
6	01395765	Electric Box Assy	1
7	30228205	Main PCB2 Z8235	1
8	43110239	Transformer	1
9	33010014	Capacitor	1
10	420101851	Terminal Board	1
11	42010194	Terminal Board	1
12	30294219_K38101	Display Board	1
13	01285317	Water Tray Foam	1
14	01265304	Bottom Cover	1
15	15012458	Fan (right) SYP-160/200J	1
16	15705304	Fan motor	1
17	01325301	Fan Fixed Plate	1
18	15012454	Fan (left) SYP-160/200J	1
19	01025366	Evaporator Assy	1
20	01315304	Right Side Plate	1
	01495304	Seal of Connection Pipe	1
	76712455	Choke Plug of Drain Pipe	1
	43138220	Water Pump	1
	15405302	Water Pump Assy	1
	01425269	Electric Box Cover	1
	02112446	Hook	4
	450127011	Water Level Switch	1
	30510460	Remote controller YX1F1	1
	01495302	Seal of Connection Pipe	1

14.6 Spare part list of Indoor Unit DAF030

NO.	Part Code	Part Description	qty
1	11125303	Filter Sub-assy	2
2	01315343	Left Side Plate Sub-Assy	1
3	01265301	Top Cover	1
4	3900012123G	Temperature Sensor	1
5	3900012121G	Temperature Sensor	1
6	01395765	Electric Box Assy	1
7	30228205	Main PCB2 Z8235	1
8	43110239	Transformer	1
9	33010014	Capacitor	1
10	420101851	Terminal Board	1
11	42010194	Terminal Board	1
12	30294219_K38101	Display Board	1
13	01285317	Water Tray Foam	1
14	01265304	Bottom Cover	1
15	15012458	Fan (right) SYP-160/200J	1
16	15705304	Fan motor	1
17	01325301	Fan Fixed Plate	1
18	15012454	Fan (left) SYP-160/200J	1
19	01025297	Evaporator Assy	1
20	01315304	Right Side Plate	1
	01495304	Seal of Connection Pipe	1
	76712455	Choke Plug of Drain Pipe	1
	43138220	Water Pump	1
	15405302	Water Pump Assy	1
	01425269	Electric Box Cover	1
	02112446	Hook	4
	30510460	Remote controller YX1F1	1
	450127011	Water Level Switch	1
	01495302	Seal of Connection Pipe	1

14.7 Spare part list of Indoor Unit DAF036

NO.	Part Code	Part Description	qty
1	111253031	air filter	1
2	01315306	Left Side Plate	1
3	01265306	Top Cover	1
4	3900012123G	Temperature Sensor	1
5	390001921G	Tube Sensor	1
6	01395764	Electric Box Assy	1
7	30228205	Main PCB2 Z8235	1
8	43110239	Transformer	1
9	33010734	Capacitor	1
10	420101851	Terminal Board	1
11	42010194	Terminal Board	1
12	30294219_K38101	Display Board	1
13	01285323	Water Tray Components	1
14	15265301	Bottom Cover	1
15	15018603	Fan	1
16	15705305	Fan Motor	1
17	01325220	Fixing Plate Sub-assy	1
18	15018604	Fan	1
19	01025249	Evaporator Assy	1
20	01315341	Right Side Plate Sub-Assy	1
	01495306	Seal of Connection Pipe	1
	01495304	Seal of Connection Pipe	1
	01375301	Side Plate of Air intake	1
	76712455	Choke Plug of Drain Pipe	1
	43138220	Water Pump	1
	15405302	Water Pump Assy	1
	450127011	Water Level Switch	1
	018953022	Evaporator Support Plate	1
	30510460	Remote controller YX1F1	1
	02112466	Hook	4
	01845221	Electrical Retaining Plate	1
	01425269	Electric Box Cover	1

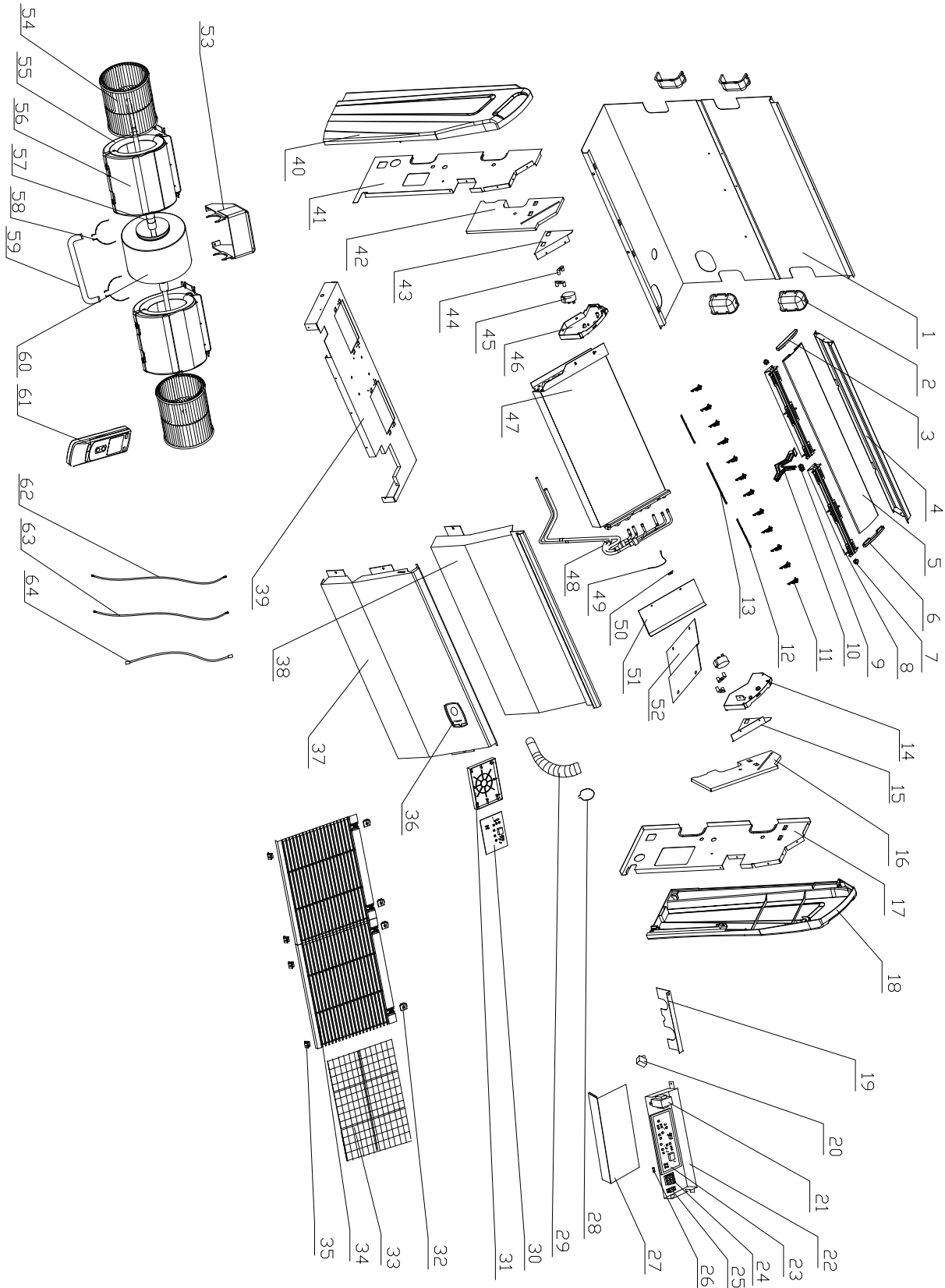
14.8 Spare part list of Indoor Unit DAF042

NO.	Part Code	Part Description	qty
1	111253031	air filter	1
2	01315306	Left Side Plate	1
3	01265306	Top Cover	1
4	3900012123G	Temperature Sensor	1
5	390001921G	Tube Sensor	1
6	01395764	Electric Box Assy	1
7	30228205	Main PCB2 Z8235	1
8	43110239	Transformer	1
9	33010734	Capacitor	1
10	420101851	Terminal Board	1
11	42010194	Terminal Board	1
12	30294219_K38101	Display Board	1
13	01285323	Water Tray Components	1
14	15265301	Bottom Cover	1
15	15018604	Fan	1
16	15705305	Fan Motor	1
17	01325220	Fixing Plate Sub-assy	1
18	15018603	Fan	1
19	0102524901	Evaporator Assy	1
20	01315341	Right Side Plate Sub-Assy	1
	15405302	Water Pump Assy	1
	450127011	Water Level Switch	1
	0102525001	Evaporator Assy	1
	01425269	Electric Box Cover	1
	01495304	Seal of Connection Pipe	1
	01375301	Side Plate of Air intake	1
	76712455	Choke Plug of Drain Pipe	1
	30510460	Remote controller YX1F1	1
	02112466	Hook	4
	01495306	Seal of Connection Pipe	1
	01845221	Electrical Retaining Plate	1
	43138220	Water Pump	1

14.9 Spare part list of Indoor Unit DAF060

NO.	Part Code	Part Description	qty
1	111253032	Filter Sub-assy	2
2	01309108	Left Side Plate	1
3	01259111	Top Cover	1
4	3900012123G	Temperature Sensor	1
5	3900012121G	Temperature Sensor	1
6	01395764	Electric Box Assy	1
7	30228205	Main PCB2 Z8235	1
8	43110239	Transformer	1
9	33010734	Capacitor	1
10	420101851	Terminal Board	1
11	42010194	Terminal Board	1
12	30294219_K38101	Display Board	1
13	01279114	Water Tray Assy	1
14	01259114	Bottom Cover	1
15	15019066	Fan (right) SYP-200/190J-3	1
16	15705305	Fan Motor	1
17	01339110	Fan Fixed Plate	1
18	15019065	Fan (left) SYP-200/190J-3	1
19	01025331	Evaporator Assy	1
20	01315339	Right Side Plate Sub-Assy	1
	450127011	Water Level Switch	1
	76712707	Pump Gasket 1	1
	76712708	Pump Gasket 2	1
	43138220	Water Pump	1
	01845221	Electrical Retaining Plate	1
	15405302	Water Pump Assy	1
	01709070	Motor Support Sub-Assy	1
	01425269	Electric Box Cover	1
	01495304	Seal of Connection Pipe	1
	76712454	Choke Plug of Water Pipe	1
	30510460	Remote controller YX1F1	2
	02112466	Hook	4

14.10 Exploded view of Indoor unit: FAF012, FAF018



14.11 Spare part list of Indoor Unit FAF012

NO.	Part Code	Part Description	qty
1	01302013	Rear Side Plate	1
2	26232001	Handle	4
3	261124151	Decorative Board	1
4	01302015	Rear Side Plate Component(air-outlet)	1
5	1051953101	Guide Louver	1
6	261124161	Decorative Board	1
7	10512026	Shaft of Guide Louver II	2
8	24212019	Guide Louver Support	2
9	10512025	Shaft of Guide Louver I	1
10	24212018	Louver Fixer	1
11	10512027	Air Louver	12
12	10582009	Swing Lever	1
13	10582008	Swing Lever	2
14	26152406	Right Swing Motor Fixer	1
15	01072411	Right Fixing Plate of Evaporator	1
16	12312404	Foam Of Right Side Plate Assy	1
17	01332404	Mounting Plate	1
18	26112027	Right Decorative Board	1
19	0107243701	Pipe Clamp Plate	1
20	33010020	Capacitor CBB61	1
21	43110237	Transformer	1
22	01399618	Electric Box Assy	1
23	30227021	Main Board	1
24	42011159	Terminal Board	1
25	24253001	Wire Base	1
26	46010013	Fuse	1
27	01412408	Electric Box Cover	1
28	70812001	Pipe Hoop	1
29	none	Drainage Pipe Sub-assy	0
30	30545654	Display Board	1
31	20102138	Display Box	1
32	26252002	Front Grill Clip1	2
33	11122013	Filter Sub-Assy	1
34	22412010	Front Grill	1
35	26252003	Front Grill Clip	2
36	201620041	Button Panel Sub-Assy	1
37	20002888	Front Panel Assy	1
38	01272204	Water Tray Assy	1
39	01709532	Motor Support	1
40	26112028	Left Decorative Board	1
41	01332405	Mounting Plate	1
42	12312403	Foam Sub-assy	1
43	01072410	Left Fixing Plate of Evaporator	1
44	26112026	Motor Clamp	1
45	15212402	Step Motor	1
46	26152405	Left Swing Motor Fixer	1
47	0100253501	Evaporator Assy	1
48	03222519	Liquid-intake Pipe Components	1

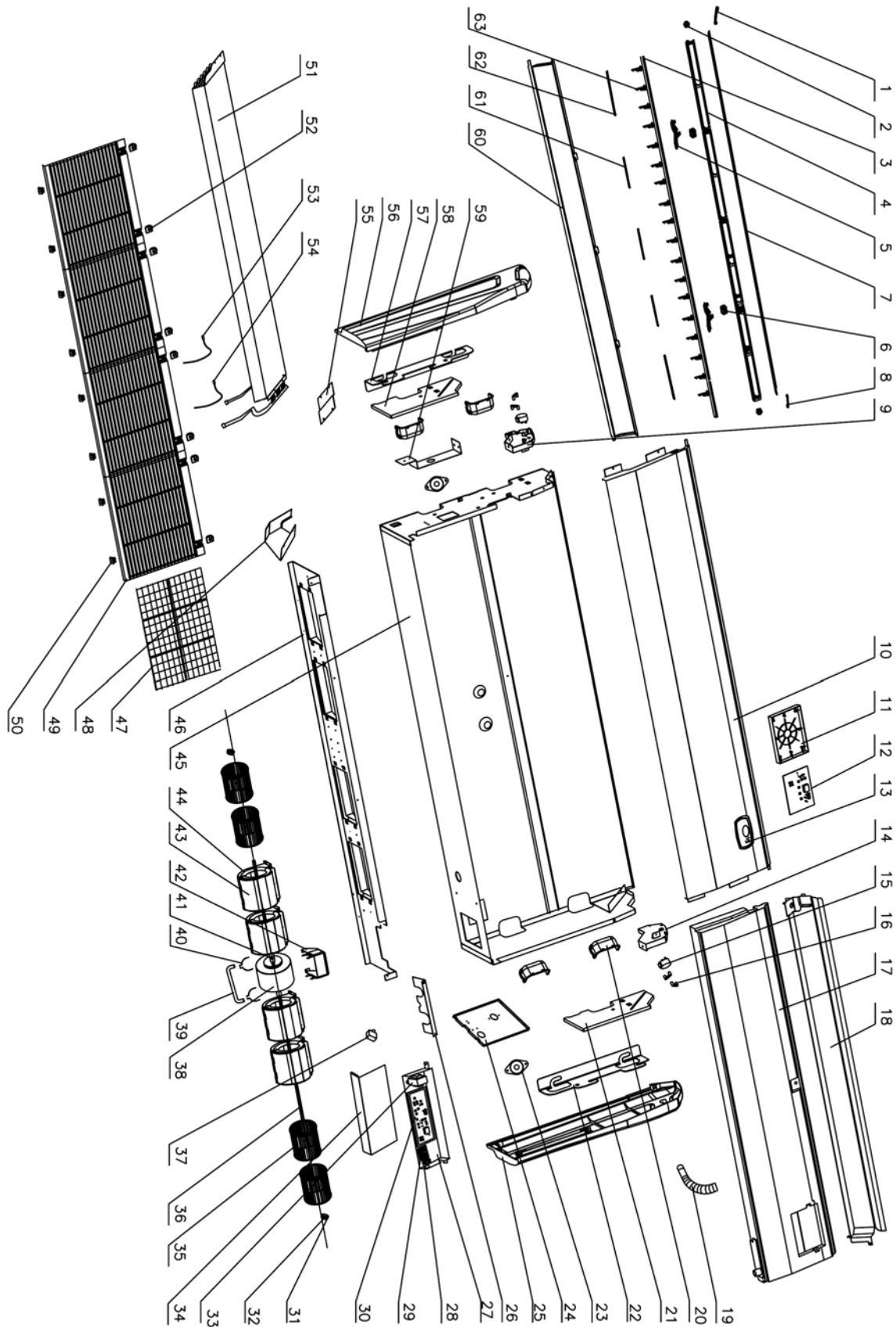
49	39000194G	Outdoor Tube Sensor	1
50	42020063	Sensor Insert	1
51	01362001	Water Lead Panel	1
52	01072409	Cover Of Evaporator	1
53	01708763	Fixed Mount	1
54	10312401	Centrifugal Fan	2
55	22202032	Propeller Housing	2
56	22202031	Front Volute Casing	2
57	none	Axes Connector	0
58	70819522	Bar Clasp	4
59	70819521	Hoop	1
60	15707302	Fan Motor	1
61	30510460	Remote Controller	1
62	none	Connecting Cable	0
63	none	Connecting Cable	0
64	40010232	Signal Wire	1
	39000186	Temperature Sensor	1
	30294219	Display Board	1
	420101851	Terminal Board	1

14.12 Spare part list of Indoor Unit FAF018

NO.	Part Code	Part Description	qty
1	01302013	Rear Side Plate	1
2	26232001	Handle	4
3	261124151	Decorative Board	1
4	01302015	Rear Side Plate Component(air-outlet)	1
5	1051953101	Guide Louver	1
6	261124161	Decorative Board	1
7	10512026	Shaft of Guide Louver II	2
8	24212019	Guide Louver Support	2
9	10512025	Shaft of Guide Louver I	1
10	24212018	Louver Fixer	1
11	10512027	Air Louver	12
12	10582009	Swing Lever	1
13	10582008	Swing Lever	2
14	26152406	Right Swing Motor Fixer	1
15	01072411	Right Fixing Plate of Evaporator	1
16	12312404	Foam Of Right Side Plate Assy	1
17	01332404	Mounting Plate	1
18	26112027	Right Decorative Board	1
19	0107243701	Pipe Clamp Plate	1
20	33010027	Capacitor CBB61	1
21	43110237	Transformer	1
22	01399407	Electric Box Assy	1
23	30227021	Main Board	1
24	42011159	Terminal Board	1
25	24253001	Wire Base	1
26	46010013	Fuse	1
27	01412408	Electric Box Cover	1
28	70812001	Pipe Hoop	1
29	none	Drainage Pipe Sub-assy	0
30	30545654	Display Board	1
31	20102138	Display Box	1
32	26252002	Front Grill Clip1	2
33	11122013	Filter Sub-Assy	1
34	22412010	Front Grill	1
35	26252003	Front Grill Clip	2
36	201620041	Button Panel Sub-Assy	1
37	20002888	Front Panel Assy	1
38	01272204	Water Tray Assy	1
39	01709532	Motor Support	1
40	26112028	Left Decorative Board	1
41	01332405	Mounting Plate	1
42	12312403	Foam Sub-assy	1
43	01072410	Left Fixing Plate of Evaporator	1
44	26112026	Motor Clamp	1
45	15212402	Step Motor	1
46	26152405	Left Swing Motor Fixer	1
47	01029410	Evaporator Assy	1
48	04329541	Liquid-intake Pipe Components	1

49	39000194G	Outdoor Tube Sensor	1
50	42020063	Sensor Insert	1
51	01362001	Water Lead Panel	1
52	01072409	Cover Of Evaporator	1
53	01708763	Fixed Mount	1
54	10312401	Centrifugal Fan	2
55	22202032	Propeller Housing	2
56	22202031	Front Volute Casing	2
57	none	Axes Connector	0
58	70819522	Bar Clasp	4
59	70819521	Hoop	1
60	157073024	Fan Motor	1
61	30510460	Remote Controller	1
62	none	Connecting Cable	0
63	none	Connecting Cable	0
64	40010232	Signal Wire	1
	1540750201	Motor Sub-Assy	1
	420101851	Terminal Board	1
	30294219	Display Board	1
	39000186	Temperature Sensor	1

14.13 Exploded view of Indoor unit: FAF024



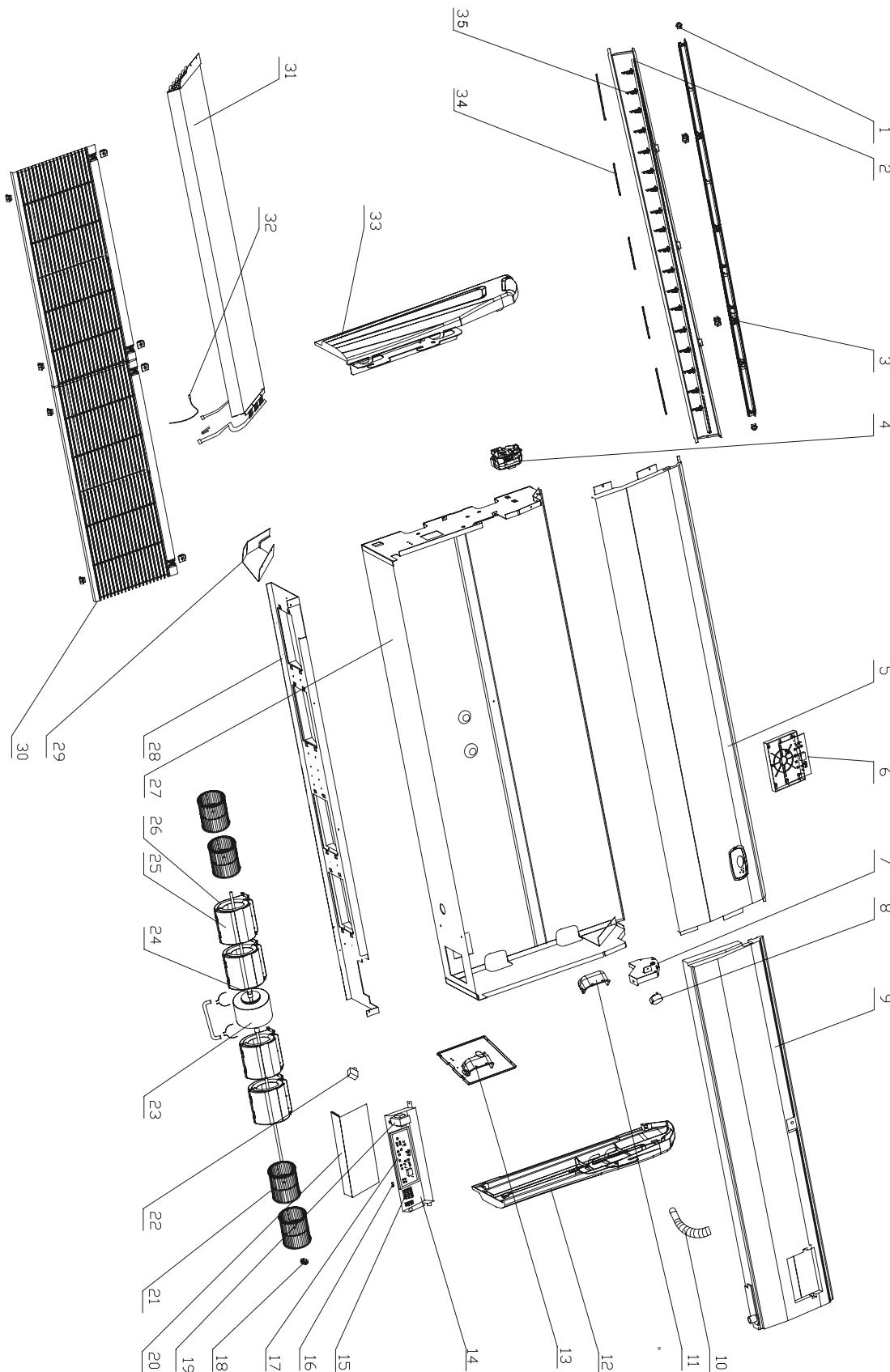
14.14 Spare part list of Indoor Unit FAF024

NO.	Part Code	Part Description	qty
1	261124172	Decorative Board	1
2	10512025	Shaft of Louver	2
3	0133242202	Mounting Plate Sub-Assy of Swing Vane	1
4	24212020	Louver Support	3
5	24222016	Louver Fixer	2
6	1051241001	Air Guider Assy	1
7	10512026	Shaft of Louver	2
8	261124212	Decorative Board	1
9	26152407	Left mounting plate(Louver Motor)	1
10	015324104	Front Panel Assy	1
11	20102138	Display Box	1
12	30545654	Display Board	1
13	20162004	Button Panel Sub-Assy	1
14	26152408	Right mounting plate(Louver Motor)	1
15	15212402	Stepping Motor	1
16	26112026	Motor Clamp	1
17	0127241401	Water Tray Assy	1
18	01272403	Auxiliary Water Tray	1
19	05235433	Drain Pipe Sub-Assy	1
20	26232001	Handle	4
21	12312407	Right side board foam sub-assy	1
22	01332404	Mounting Plate	1
23	01792408	Support Of Motor Bearing	2
24	01792409	Fixer of Motor Support	1
25	26112033	Right Decoration Panel	1
26	01072438	Outlet pipe press board sub-assy (evaporator)	1
27	01399620	Electric Box Assy	1
28	420101851	Terminal Board	1
29	42011159	Terminal Board	1
30	30227021	Main PCB Z7A251B	1
32	76512210	Fan Bearing	2
33	43110237	Transformer 57X25C	1
34	01412408	Electric Box Cover	1
35	10312401	Centrifugal Fan	4
36	73012401	Rotary Axis Assy	2
37	33010027	Capacitor CBB611A(3uF/450V)	1
38	1501240601	Motor FN100B	1
39	01722409	Motor Clip	1
40	01702405	Motor Press Plate	2
41	73012403	Joint Slack	2
42	01332426	Motor Mounting Plate Sub-Assy	1
43	22202031	Front Volute Casing	4
44	22202032	Rear Volute Casing	4
45	01302429	Rear Side Plate	1
46	01702410	Motor Support Sub-Assy	1
47	11122012	Filter	1
48	01362401	Water Lead Plate	1
49	22412401	Front Grill Assy	2
50	26252003	Front Grill Clip	2
51	010024052	Evaporator Assy	1
52	26252002	Front Grill Clip	2

EXPLODED VIEW & SPARE PART LIST*Airwell*

53	39000186	Temperature Sensor(15K black)	1
54	390001215G	Temperature Sensor	1
55	01072417	Evaporator Cover	1
56	26112032	Left Decoration Panel	1
57	01332405	Mounting Plate	1
58	12312406	Left side board foam sub-assy	1
59	01332428	Bearing Mounting Plate Sub-Assy	1
60	01302418	Rear Side Plate assy of Air Outlet	1
61	10582008	Swing Lever	3
62	10582009	Swing Link Lever	2
63	10512028	Air Louver	22
	30294219	Display Board	1
	30510460	Remote controller YX1F1	1

14.15 Exploded view of Indoor unit: FAF030

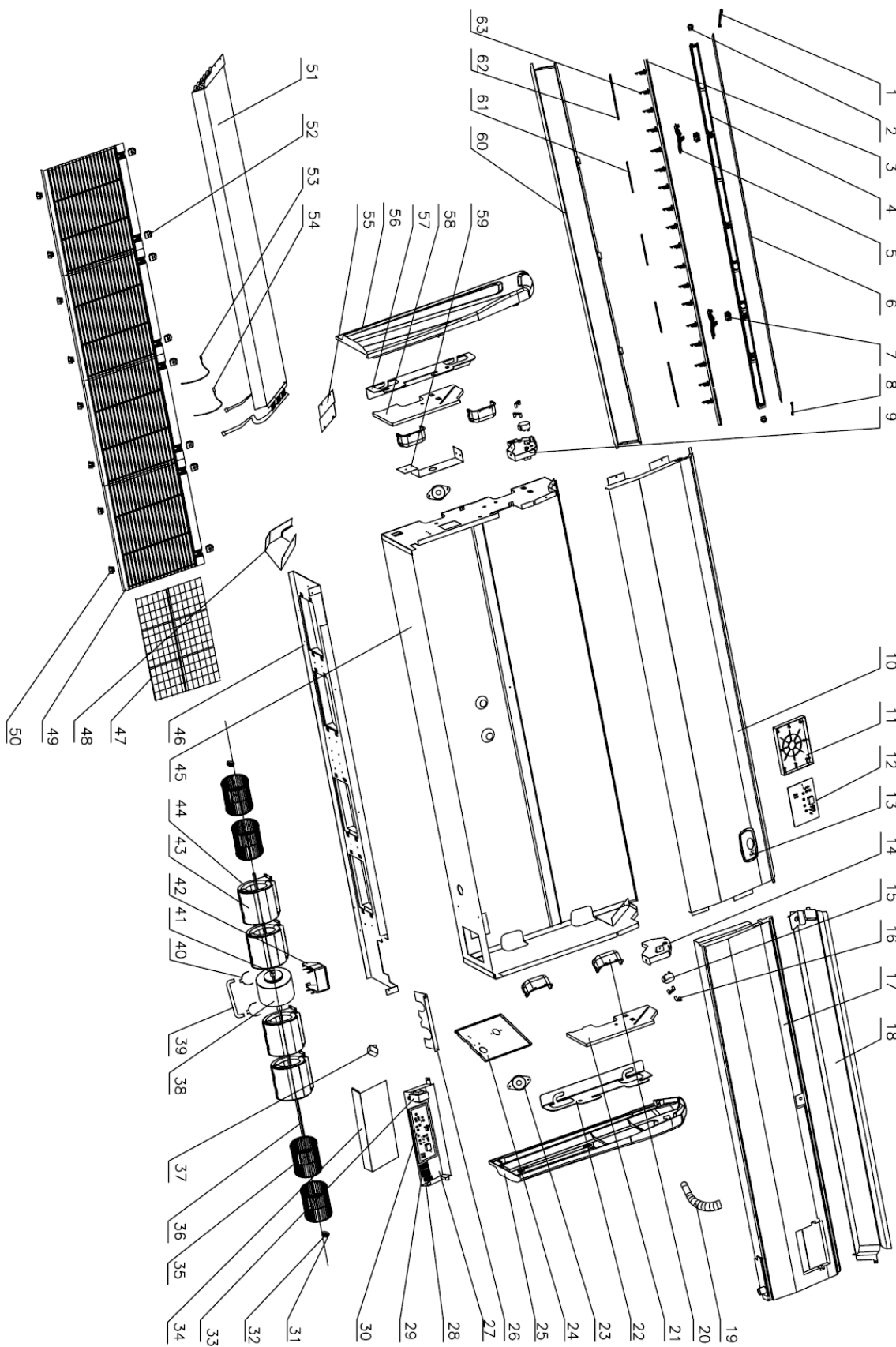


14.16 Spare part list of Indoor Unit FAF030

NO.	Part Code	Part Description	qty
1	10512025	Shaft of Louver	2
2	0133242202	Mounting Plate Sub-Assy of Swing Vane	1
3	1051241001	Air Guider Assy	1
4	26152407	Left mounting plate(Louver Motor)	1
5	015324104	Front Panel Assy	1
6	30545654	Display Board	1
7	26152408	Right mounting plate(Louver Motor)	1
8	15212402	Stepping Motor	1
9	0127241401	Water Tray Assy	1
10	05235433	Drain Pipe Sub-Assy	1
11	26232001	Handle	4
12	26112033	Right Decoration Panel	1
13	01332428	Bearing Mounting Plate Sub-Assy	1
14	01399620	Electric Box Assy	1
15	42011159	Terminal Board	1
16	46010013	Fuse 5A/250V	1
17	30227021	Main PCB Z7A251B	1
18	76512210	Fan Bearing	2
19	43110237	Transformer 57X25C	1
20	01412408	Electric Box Cover	1
21	10312401	Centrifugal Fan	4
22	33010027	Capacitor CBB611A(3uF/450V)	1
23	1501240601	Motor FN100B	1
24	73012403	Joint Slack	2
25	22202031	Front Volute Casing	4
26	22202032	Rear Volute Casing	4
27	01302429	Rear Side Plate	1
28	01702410	Motor Support Sub-Assy	1
29	01362401	Water Lead Plate	1
30	22412401	Front Grill Assy	2
31	01029414	Evaporator Assy	1
32	390001215G	Temperature Sensor	1
33	26112032	Left Decoration Panel	1
34	10582008	Swing Lever	3
35	10512028	Air Louver	22
	15212402	Stepping Motor	1
	01792408	Support Of Motor Bearing	2
	10512026	Shaft of Louver	2
	420101851	Terminal Board	1
	01072417	Evaporator Cover	1
	30294219	Display Board	1
	01332405	Mounting Plate	1
	24222016	Louver Fixer	2
	01722409	Motor Clip	1
	01702405	Motor Press Plate	2
	01072438	Outlet pipe press board sub-assy (evaporator)	1
	30510460	Remote controller YX1F1	1
	01332404	Mounting Plate	1
	73012401	Rotary Axis Assy	2

	42020063	Sensor Insert	1
	01792409	Fixer of Motor Support	1
	76512404	O-Gasket of Bearing	2
	01702405	Motor Press Plate	1
	24222016	Louver Fixer	2
	22412011	Grille	1
	11122012	Filter	1
	39000186	Temperature Sensor(15K black)	1
	10582009	Swing Link Lever	2

14.17 Exploded view of Indoor unit: FAF036/042



14.18 Spare part list of Indoor Unit FAF036

NO.	Part Code	Part Description	qty
1	261124152	Left Decoration Plate	1
2	10512025	Shaft of Louver	3
3	0133241802	Swing Louver Fixer sub-assy	1
4	24212019	Guide Louver Holder	4
5	24212018	Louver Fixer	3
6	1051240602	Guide Louver	1
7	10512026	Shaft of Louver	2
8	261124162	Right Decoration Plate	1
9	26152405	Left Swing Motor Fixer	1
10	015324091	Front Panel Assy	1
11	20102138	Display Box	1
12	30545654	Display Board	1
13	201620041	Button Panel Sub-Assy	1
14	26152406	Right Swing Motor Fixer	1
15	15212402	Stepping Motor	1
16	26112026	Motor Clamp	1
17	0127240802	Water Tray Sub-Assy	1
18	01272409	Water Tray	1
19	05235433	Drain Pipe Sub-Assy	1
20	26232001	Handle	4
21	12312404	Foam of Right Side Plate	1
22	01332404	Mounting Plate	1
23	01792408	Support Of Motor Bearing	1
24	01792407	Shoe Plate of Motor Support	1
25	26112027	Decorative Board	1
26	01072437	Evaporator outlet tube press plate sub-assy	1
27	01399619	Electric Box Assy	1
28	420101851	Terminal Board	1
29	42011159	Terminal Board	1
30	30227021	Main PCB Z7A251B	1
32	76512210	Fan Bearing	1
33	43110237	Transformer 57X25C	1
34	01412408	Electric Box Cover	1
35	10319051	Centrifugal Fan	4
36	73012402	Rotary Axis Sub-Assy	2
37	33010037	Capacitor	1
38	15012405	Fan Motor	1
39	01722410	Motor Fixer	1
40	01702405	Motor Press Plate	2
41	73012403	Joint Slack	2
42	01332425	Motor Mounting Plate Sub-Assy	1
43	22202030	Front Volute Casing	4
44	22202029	Rear Snail Shell	4
45	01302431	Rear Side Plate Assy	1
46	01702411	Motor Support Sub-Assy	1
47	11122013	Filter	1
48	01362407	Water Lead Plate Sub-Assy	1
49	22412010	Grille	1
49	22412012	Front Grill	4
50	26252003	Front Grill Clip	1
51	01029610	Evaporator Assy	1

EXPLODED VIEW & SPARE PART LIST*Airwell*

52	26252002	Front Grill Clip	1
53	39000194G	Temp Sensor (20K)	1
54	39000186	Temperature Sensor(15K black)	1
55	01072409	Cover Of Evaporator	1
56	26112028	Decorative Board	1
57	01332405	Mounting Plate	1
58	12312403	Left Side Foam	1
59	01332417	Bearing Mounting Plate Assy	1
60	01302417	Rear Side Plate Sub-Assy	1
61	10582008	Swing Lever	2
62	10582009	Swing Link Lever	4
63	10512027	Air Louver	26
	45020051	Dial Switch of Three-way	1
	01722405	Retaining Plate of Capacitor	1
	30294219	Display Board	1
	30510460	Remote controller YX1F1	1

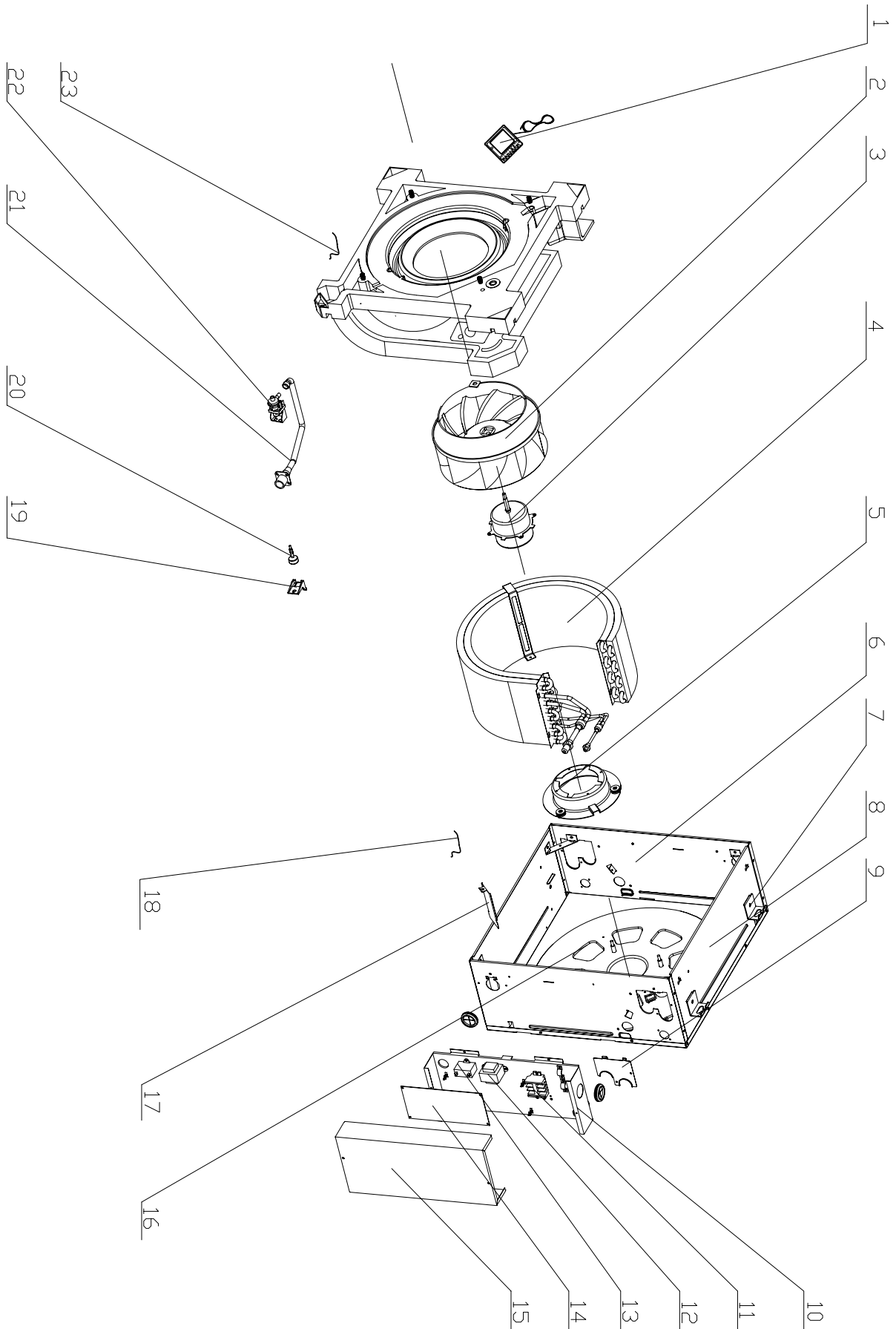
14.19 Spare part list of Indoor Unit FAF042

NO.	Part Code	Part Description	qty
1	261124152	Left Decoration Plate	1
2	10512025	Shaft of Louver	3
3	0133241802	Swing Louver Fixer sub-assy	1
4	24212019	Guide Louver Holder	4
5	24212018	Louver Fixer	3
6	1051240602	Guide Louver	1
7	10512026	Shaft of Louver	2
8	261124162	Right Decoration Plate	1
9	26152405	Left Swing Motor Fixer	1
10	015324091	Front Panel Assy	1
11	20102138	Display Box	1
12	30545654	Display Board	1
13	201620041	Button Panel Sub-Assy	1
14	26152406	Right Swing Motor Fixer	1
15	15212402	Stepping Motor	1
16	26112026	Motor Clamp	1
17	0127240802	Water Tray Sub-Assy	1
18	01272409	Water Tray	1
19	05235433	Drain Pipe Sub-Assy	1
20	26232001	Handle	4
21	12312404	Foam of Right Side Plate	1
22	01332404	Mounting Plate	1
23	01792408	Support Of Motor Bearing	1
24	01792407	Shoe Plate of Motor Support	1
25	26112027	Decorative Board	1
26	01072437	Evaporator outlet tube press plate sub-assy	1
27	01399619	Electric Box Assy	1
28	420101851	Terminal Board	1
29	42011159	Terminal Board	1
30	30227021	Main PCB Z7A251B	1
32	76512210	Fan Bearing	1
33	43110237	Transformer 57X25C	1
34	01412408	Electric Box Cover	1
35	10319051	Centrifugal Fan	4
36	73012402	Rotary Axis Sub-Assy	2
37	33010037	Capacitor	1
38	15012405	Fan Motor	1
39	01722410	Motor Fixer	1
40	01702405	Motor Press Plate	2
41	73012403	Joint Slack	2
42	01332425	Motor Mounting Plate Sub-Assy	1
43	22202030	Front Volute Casing	4
44	22202029	Rear Snail Shell	4
45	01302431	Rear Side Plate Assy	1
46	01702411	Motor Support Sub-Assy	1
47	11122013	Filter	1
48	01362407	Water Lead Plate Sub-Assy	1
49	22412010	Grille	1
49	22412012	Front Grill	4

EXPLODED VIEW & SPARE PART LIST*Airwell*

50	26252003	Front Grill Clip	1
51	01029612	Evaporator Assy	1
52	26252002	Front Grill Clip	1
53	39000194G	Temp Sensor (20K)	1
54	39000186	Temperature Sensor(15K black)	1
55	01072409	Cover Of Evaporator	1
56	26112028	Decorative Board	1
57	01332405	Mounting Plate	1
58	12312403	Left Side Foam	1
59	01332417	Bearing Mounting Plate Assy	1
60	01302417	Rear Side Plate Sub-Assy	1
61	10582008	Swing Lever	2
62	10582009	Swing Link Lever	4
63	10512027	Air Louver	26
	45020051	Dial Switch of Three-way	1
	01722405	Retaining Plate of Capacitor	1
	30294219	Display Board	1
	30510460	Remote controller YX1F1	1

14.20 Exploded view of Indoor unit: CAF012/018



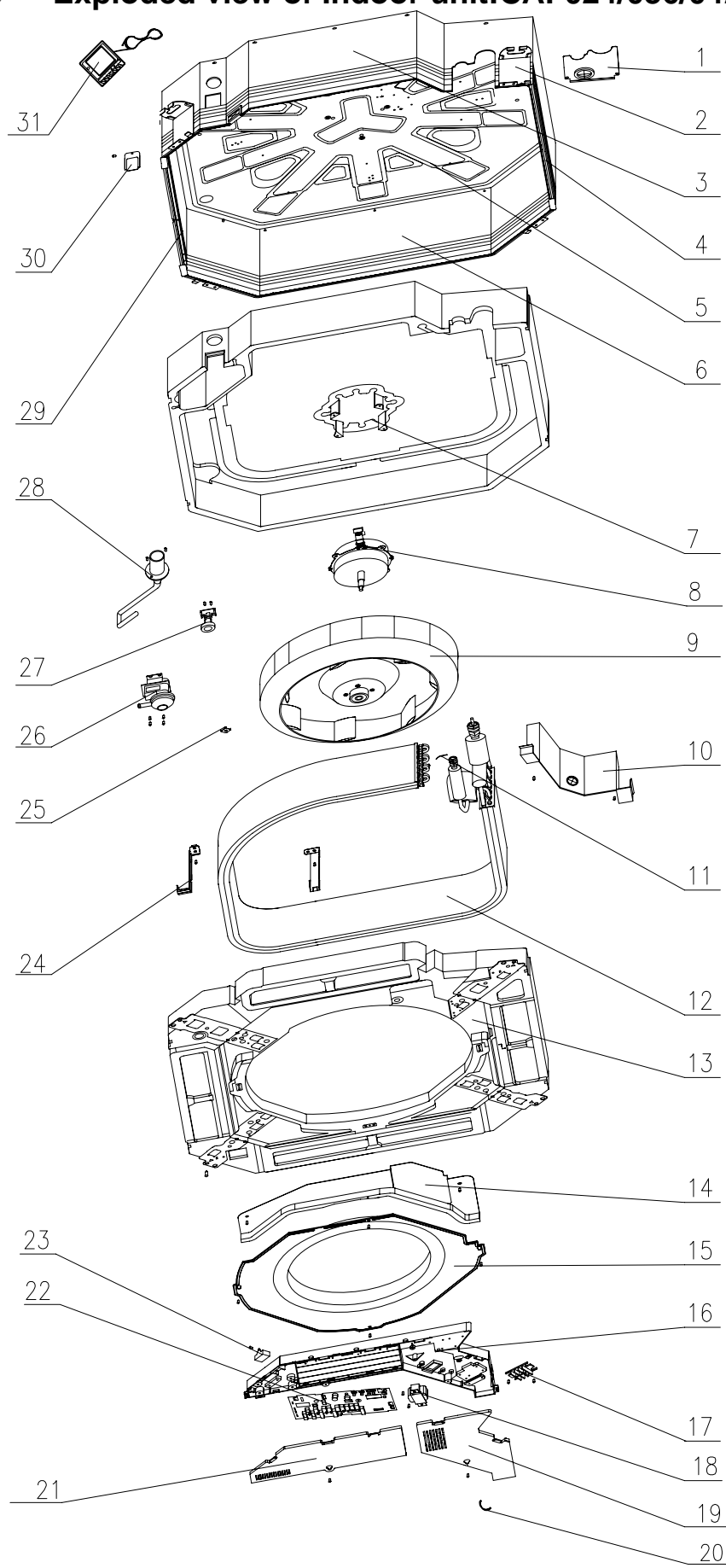
14.21 Spare part list of Indoor Unit CAF012

NO.	Part Code	Part Description	qty
1	30297301	Display Board Z7A351	1
2	10312702	Centrifugal Fan	1
3	15012707	Fan Motor	1
4	01029608	Evaporator Assy	1
5	01702702	Motor Mounting Rack	1
9	01382719	Tube Exit Plate Assy	1
10	01399418	Electric Box Assy	1
11	42010258	Terminal Board	1
12	43110233	Transformer 48X26G	1
13	33010026	Capacitor CBB61	1
14	30227110	Main PCB Z71351D	1
15	01412723	Electric Box Cover	1
18	390000592	Tube Sensor	1
20	450127011	Water Level Switch	1
21	05232722	Drain Pipe for Water Pump	1
22	43130320	Water Pump	1
23	39000191	Ambient Temperature Sensor	1
	01362704	Right baffle Assy	1
	01332708	Pump Support Assy	1
	20182704	Water Tray Assy	1
	20182703	Water Tray	1
	45020051	Dial Switch of Three-way	1
	49010252	Radiator	1
	40030079	Connecting Wire	1
	420101851	Terminal Board	1
	40010232	4-core Cable	1

14.22 Spare part list of Indoor Unit CAF018

NO.	Part Code	Part Description	qty
1	30297301	Display Board Z7A351	1
2	10312702	Centrifugal Fan	1
3	15012707	Fan Motor	1
4	01029408	Evaporator Assy	1
5	01702702	Motor Mounting Rack	1
9	01382719	Tube Exit Plate Assy	1
10	01399408	Electric Box Assy	1
11	42010258	Terminal Board	1
12	43110233	Transformer 48X26G	1
13	33010026	Capacitor CBB61	1
14	30227110	Main PCB Z71351D	1
15	01412723	Electric Box Cover	1
18	390000592	Tube Sensor	1
20	450127011	Water Level Switch	1
22	43130320	Water Pump	1
23	39000191	Ambient Temperature Sensor	1

14.23 Exploded view of Indoor unit:CAF024/036/042



14.24 Spare part list of Indoor Unit CAF024

NO.	Part Code	Part Description	qty
1	01382715	Tube Exit Plate Assy	1
2	01332701	Major Mounting Plate	4
3	01302718	Front Side Plate	1
4	01302715	Left Side Plate Assy	1
5	01222701	Base Plate Assy	1
6	01302714	Rear Side Plate	1
7	01702701	Motor Mounting Rack	1
8	15012703	Fan Motor	1
9	10312705	Centrifugal Fan	1
10	01074042	Connection Sheet Assy	1
11	390001921G	Tube Sensor	1
12	010027101	Evaporator Assy	1
13	20182701	Water Tray Assy	1
14	01412721	Electric Box Base Plate	1
15	10372701	Flow Guide Loop	1
16	01399533	Electric Box Assy	1
17	42010258	Terminal Board	1
18	43110226	Transformer	1
19	20122054	Electric Box Cover Sub-Assy1	1
20	390001911	Ambient Temperature Sensor	1
21	20122055	Electric Box Cover Sub-Assy2	1
22	30227111	Main PCB Z71351E	1
23	33010010	Capacitor CBB61 3.5kuF/450V	1
24	01072703	Evaporator of Fixed Mount	2
25	10312701	Fan Fixer	1
26	43130324	Water Pump	1
27	45010201	Water Level Switch	1
28	05230026	Drain Pipe for Water Pump	1
29	01302716	Right Side Plate	1
30	01252713	Pump Backup Cover Plate Assy	1
31	30294219	Display Board	1
	420101851	Terminal Board	1
	05232702	Drain Hose Assy	1
	30510460	Remote Controller	1

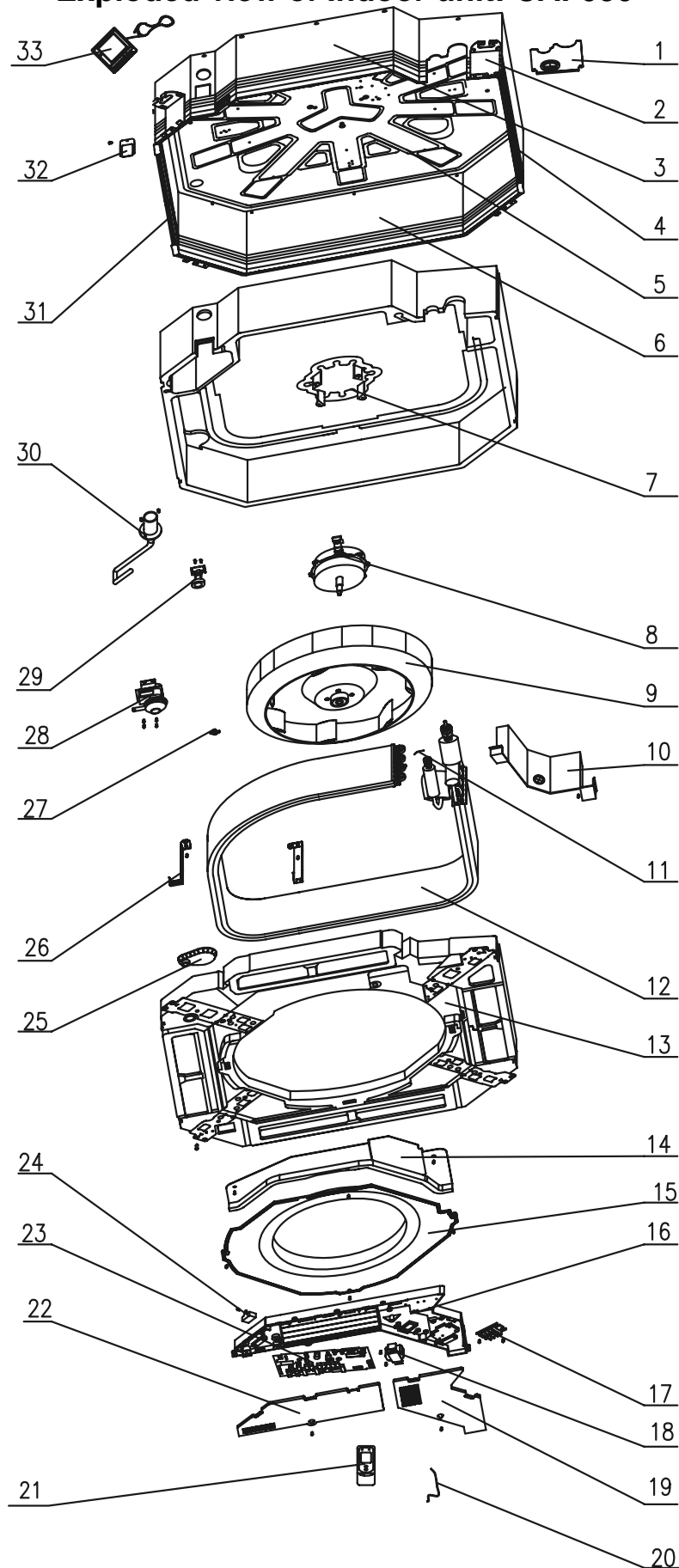
14.25 Spare part list of Indoor Unit CAF036

NO.	Part Code	Part Description	qty
1	01382715	Tube Exit Plate Assy	1
2	01332701	Major Mounting Plate	4
3	01302713	Front Side Plate	1
4	01302711	Left Side Plate Assy	1
5	01222701	Base Plate Assy	1
6	01302709	Rear Side Plate	1
7	01702701	Motor Mounting Rack	1
8	15012706	Fan Motor	1
9	10310101	Centrifugal Fan	1
10	01072732	Evaporator Linkage	1
11	390001921G	Tube Sensor	1
12	01029402	Evaporator Assy	1
13	20182701	Water Tray Assy	1
14	01412721	Electric Box Base Plate	1
15	10372722	Flow Guide Loop	1
16	01399531	Electric Box Assy	1
17	42010258	Terminal Board	1
18	43110226	Transformer	1
19	20122054	Electric Box Cover Sub-Assy1	1
20	390001911	Ambient Temperature Sensor	1
21	20122055	Electric Box Cover Sub-Assy2	1
22	30227111	Main PCB Z71351E	1
23	33010012	Capacitor	1
24	01072707	Evaporator of Fixed Mount	2
25	10312701	Fan Fixer	1
26	43130324	Water Pump	1
27	45010201	Water Level Switch	1
28	05230026	Drain Pipe for Water Pump	1
29	01302712	Right Side Plate Assy	1
30	01252713	Pump Backup Cover Plate Assy	1
31	30294219	Display Board	1
	420101851	Terminal Board	1
	01332751	Water Pump Assy	1
	05232702	Drain Hose Assy	1
	30510460	Remote controller YX1F1	1

14.26 Spare part list of Indoor Unit CAF042

NO.	Part Code	Part Description	qty
1	01382715	Tube Exit Plate Assy	1
2	01332701	Major Mounting Plate	4
3	01302713	Front Side Plate	1
4	01302711	Left Side Plate Assy	1
5	01222701	Base Plate Assy	1
6	01302709	Rear Side Plate	1
7	01702701	Motor Mounting Rack	1
8	15012706	Fan Motor	1
9	10310101	Centrifugal Fan	1
10	01072732	Evaporator Linkage	1
11	390001921G	Tube Sensor	1
12	01029405	Evaporator Assy	1
13	20182701	Water Tray Assy	1
14	01412721	Electric Box Base Plate	1
15	10372722	Flow Guide Loop	1
16	01399530	Electric Box Assy	1
17	42010258	Terminal Board	1
18	43110226	Transformer	1
19	20122054	Electric Box Cover Sub-Assy1	1
20	390001911	Ambient Temperature Sensor	1
21	20122055	Electric Box Cover Sub-Assy2	1
22	30227111	Main PCB Z71351E	1
23	33010012	Capacitor	1
24	01072707	Evaporator of Fixed Mount	2
25	10312701	Fan Fixer	1
26	01332751	Water Pump Assy	1
27	45010201	Water Level Switch	1
28	05230026	Drain Pipe for Water Pump	1
29	01302712	Right Side Plate Assy	1
30	01252713	Pump Backup Cover Plate Assy	1
31	30294219	Display Board	1
	420101851	Terminal Board	1
	05232702	Drain Hose Assy	1
	05232044	Drain Hose	1
	43130324	Water Pump	1
	30510460	Remote controller YX1F1	1

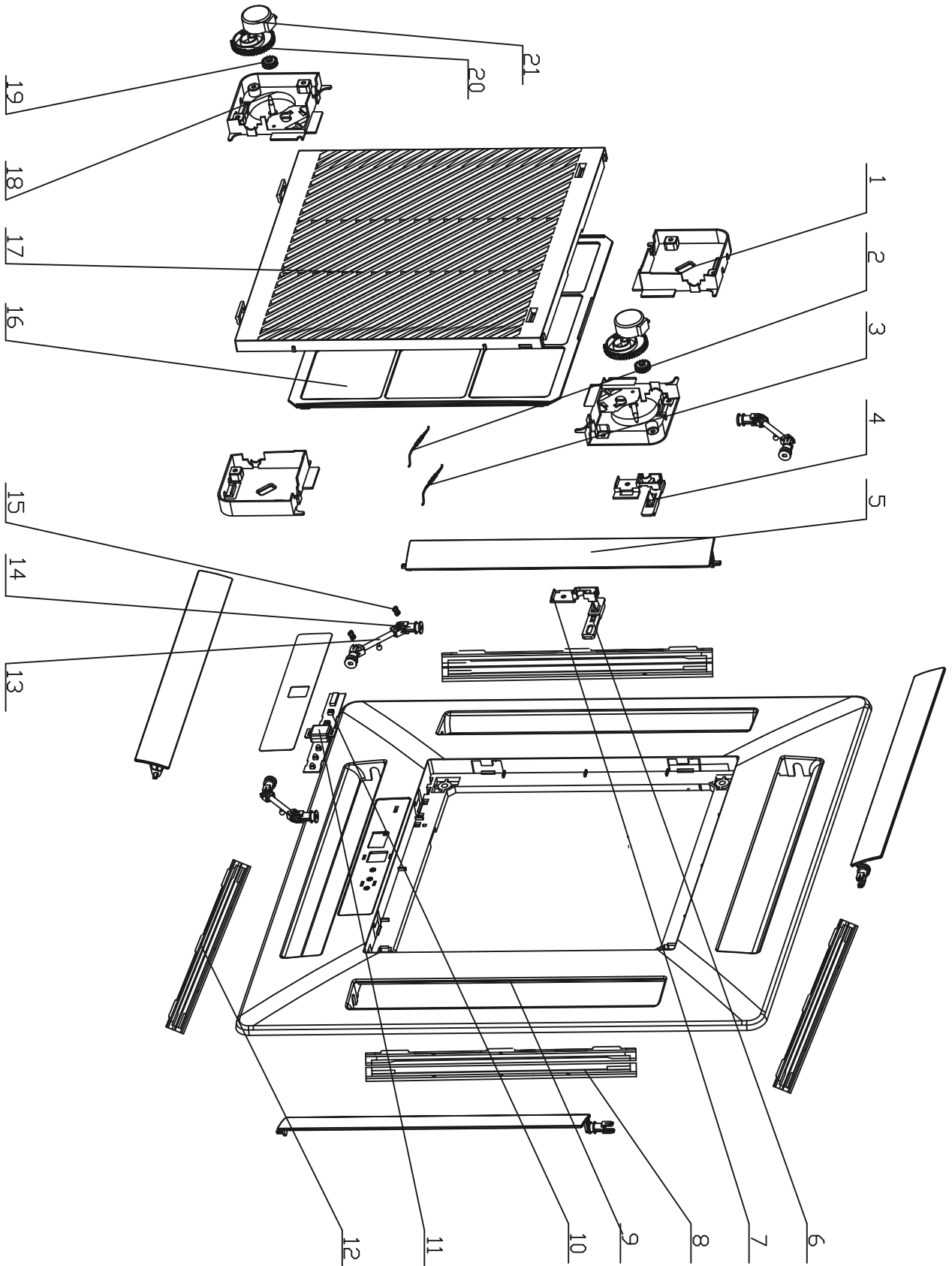
14.27 Exploded view of Indoor unit: CAF030



14.28 Spare part list of Indoor Unit CAF030

NO.	Part Code	Part Description	qty
1	01382715	Tube Exit Plate Assy	1
2	01332701	Major Mounting Plate	4
3	01302718	Front Side Plate	1
4	01302715	Left Side Plate Assy	1
5	01222701	Base Plate Assy	1
6	01302714	Rear Side Plate	1
7	01702701	Motor Mounting Rack	1
8	15709404	Fan Motor	1
9	10312705	Centrifugal Fan	1
10	01074042	Connection Sheet Assy	
11	390001921G	Tube Sensor	1
12	01029415	Evaporator Assy	1
13	20182701	Water Tray Assy	1
14	01412721	Electric Box Base Plate	
15	10372701	Flow Guide Loop	1
16	01399532	Electric Box Assy	1
17	42010258	Terminal Board	1
18	43110226	Transformer	1
19	20122054	Electric Box Cover Sub-Assy1	1
20	390001911	Ambient Temperature Sensor	1
21	30510460	Remote controller YX1F1	1
22	20122055	Electric Box Cover Sub-Assy2	1
23	30227111	Main PCB Z71351E	1
24	33010010	Capacitor CBB61 3.5kuF/450V	1
25	05232702	Drain Hose Assy	1
26	01072703	Evaporator of Fixed Mount	2
27	10312701	Fan Fixer	1
28	43130324	Water Pump	1
29	45010201	Water Level Switch	1
30	05230026	Drain Pipe for Water Pump	1
31	01302716	Right Side Plate	1
32	01252713	Pump Backup Cover Plate Assy	1
33	30294219	Display Board	1

14.29 Exploded view of Cassette Panel: AWAC-PC60X60



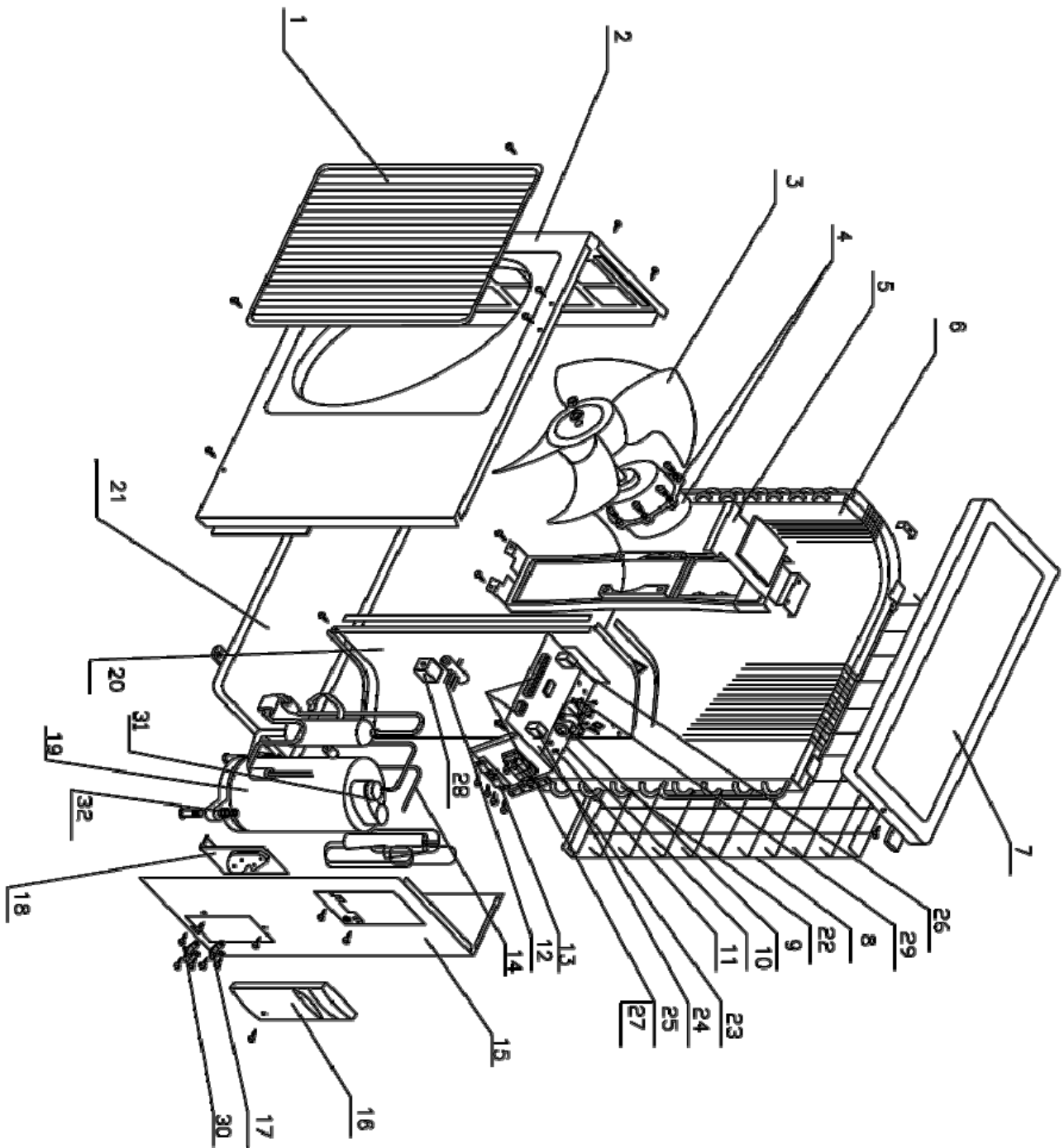
14.30 Spare part list of Cassette Panel: AWAC-PC60X60

NO.	Part Code	Part Description	qty
5	10512702	Guide Louver	4
6	26252705	Left Net Buckle	1
8	12312704	Air Outlet Foam 1	4
9	20002704	Front Panel	1
10	30261001	Receiver Board	1
12	12312705	Air Outlet Foam 2	4
13	10582704	Connecting Rod	2
14	10562704	Gimbal	4
15	10562703	Universal Joint	8
16	11122703	Filter Sub-Assy	1
17	22412706	Front grill assy	1
18	22242715	Inner Conner Cover 1	2
19	73012701	Little Gear	2
20	73012702	Big Gear	2
21	15210104	Step Motor	2
	22412704	Air Intake Grill	1

14.32 Spare part list of Cassette Panel: AWAC-PC80X80

NO.	Part Code	Part Description	qty
1	22242701	Motor Cover	1
2	22242705	Inner Conner Cover 4	1
3	15212701	Synchronizing Motor SM008	1
4	26152702	Motor Holder	1
5	70410603	Pin	1
6	12312701	Foam	1
7	20002701	Front Panel	1
8	10582701	Connecting Rod	3
9	22242704	Inner Conner Cover 3	1
10	70810101	Hanging Ring	4
11	11122701	Filter	1
12	01722721	Hook Fixer	1
13	26252703	Net Hook	1
14	26252702	Right Clamp	1
15	2241270203	Front Grill	1
16	22432702	Receiving Window	1
17	30041001	Receiver Board KJ	1
18	22242707	Outer Conner Cover 2	1
19	22242708	Cover of Receiver	1
20	22242706	Outer Conner Cover 1	1
21	26252701	Left Clip	1
22	73010011	Spring 6.3x62	2
23	22242703	Inner Conner Cover 2	1
24	12122820	Air Guide Mechanism	1
25	10542701	Crank	1
26	26152701	Position Holder	1
27	10562702	Universal Joint	1
28	10562701	Gimbal	1
29	22242702	Inner Conner Cover 1	1
	45010054	Inching Switch	1
	2241270501	Front Grill Assy	1
	20002702	Front Panel Assy	1
	11012701	Filter of Air Cleaner	3
	49010104	Magnetic Ring	1
	22242714	Outer Corner Cover	1

14.33 Exploded view of Outdoor unit: YIF009/012



14.34 Spare part list of Outdoor Unit YIF009

NO.	Part Code	Part Description	qty
1	22413007	Grille	1
2	200020153	Front Panel Sub-Assy	1
3	10333413	Axial-flow Fan	1
4	15013067	Fan Motor	1
5	01703068	Motor Support	1
6	01125241	Condenser Assy	1
7	01253443	Top Cover Plate	1
8	01473014	Rear Grill	1
9	33010743	Capacitor CBB65	1
10	01395761	Electric Box Assy	1
11	70410523	Isolation Washer	1
12	430004022	4-Way Valve	1
13	71010103	Fixed Clamp	1
14	04635715	discharge pipe	1
15	0130200404	Right Side Plate Assy	1
16	26233433	Big Handle	1
17	07100003	Cut-off Valve (1/4)	1
18	01713041	Valve Support	1
19	00120145	Compressor and Fittings	1
20	01239052	Clapboard	1
21	01195701P	Chassis sub-assy	1
22	3900012128G	Tube sensor	1
23	30224058	Main Board	1
24	43110233	Transformer 48X26G	1
25	42011103	Terminal Board 2-8	1
26	none	AC Contactor	0
27	420111531	Connection Board	1
28	430004002	4-way Valve Accessory	1
29	33010026	Capacitor CBB61 2.5uF/450V	1
30	07100005	Cut-off Valve (3/8)	1
31	00180084	Overload Protector	1
32	76710205	Compressor Gasket 4CYC00188	3
	06123401	Drainage Connector	1
	420101851	Terminal Board	1

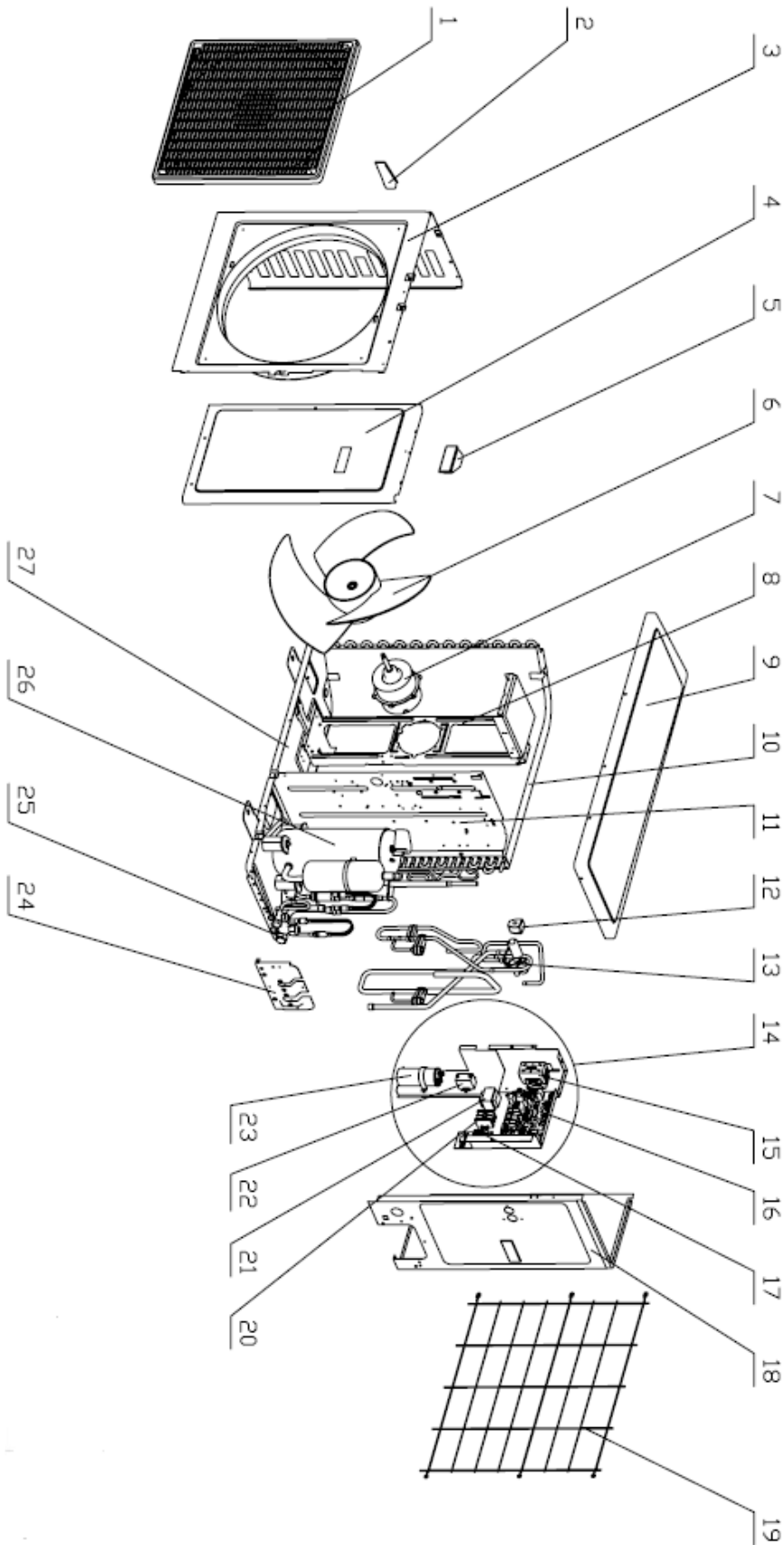
14.35 Spare part list of Outdoor Unit YIF012

NO.	Part Code	Part Description	qty
1	22413433	Front grill	1
2	200020153	Front Panel Sub-Assy	1
3	10333004	Axial Flow Fan	1
4	15013071	Motor FW48G	1
5	01703086	motor support	1
6	01125244	Condenser Assy	1
7	01253443	Top Cover Plate	1
8	01473014	Rear Grill	1
9	33010743	Capacitor CBB65	1
10	01395763	Electric Box Assy	1
11	70410523	Isolation Washer	1
12	430004032	4-way Valve	1
13	71010103	Fixed Clamp	1
14	04635715	discharge pipe	1
15	0130200404	Right Side Plate Assy	1
16	26233433	Big Handle	1
17	07100003	Cut-off Valve (1/4)	1
18	01713041	Valve Support	1
19	00120139	Compressor and Fittings	1
20	01239052	Clapboard	1
21	01195702P	Metal Base	1
22	3900012128G	Tube sensor	1
23	30224058	Main Board	1
24	43110233	Transformer 48X26G	1
25	42011103	Terminal Board 2-8	1
26	none	AC Contactor	0
27	420111531	Connection Board	1
28	430004002	4-way Valve Accessory	1
29	33010027	Capacitor CBB611A(3uF/450V)	1
30	07100006	Cut-off Valve	1
31	00180255	Overload Protector	1
32	76710272	Compressor Gasket	3
	420101851	Terminal Board	1
	06123401	Drainage Connector	1

14.36 Spare part list of Outdoor Unit YIF018

NO.	Part Code	Part Description	qty
1	22413007	Grille	1
2	01533012	Front Panel	1
3	10333413	Axial-flow Fan	1
4	15013071	Motor FW48G	1
5	01703391	Motor Support	1
6	01125252	Condenser Assy	1
7	01253443	Top Cover Plate	1
8	01473014	Rear Grill	1
9	33000039	Capacitor	1
10	01395758	Electric Box Assy	1
11	70410523	Isolation Washer	1
12	430004032	4-way Valve	1
13	71010103	Fixed Clamp	1
14	04635331	discharge pipe	1
15	0130200401	Right Side Plate Assy	1
16	26233433	Big Handle	1
17	07100004	Cut-off Valve	1
18	01713041	Valve Support	1
19	00103702	Compressor and Fittings	1
20	01245244	Clapboard	1
21	01203144	Underpan Sub-Assy	1
22	3900012128G	Tube sensor	1
23	30224058	Main Board	1
24	43110233	Transformer 48X26G	1
25	42011103	Terminal Board 2-8	1
26	none	AC Contactor	0
27	420111531	Connection Board	1
28	430004002	4-way Valve Accessory	1
29	33010027	Capacitor CBB611A(3uF/450V)	1
30	07100006	Cut-off Valve	1
31	00180157	Overload Protector	1
32	76710202	Compressor Gasket 4CYC00008	3
	420101851	Terminal Board	1
	06123401	Drainage Connector	1

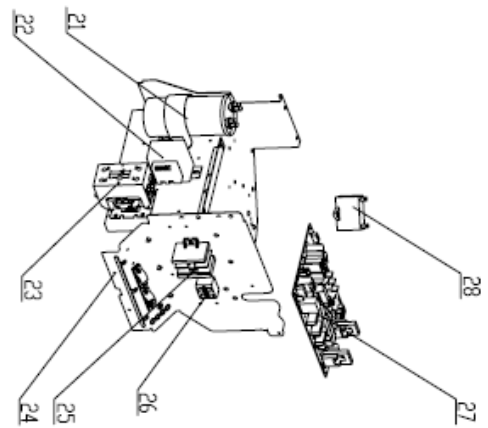
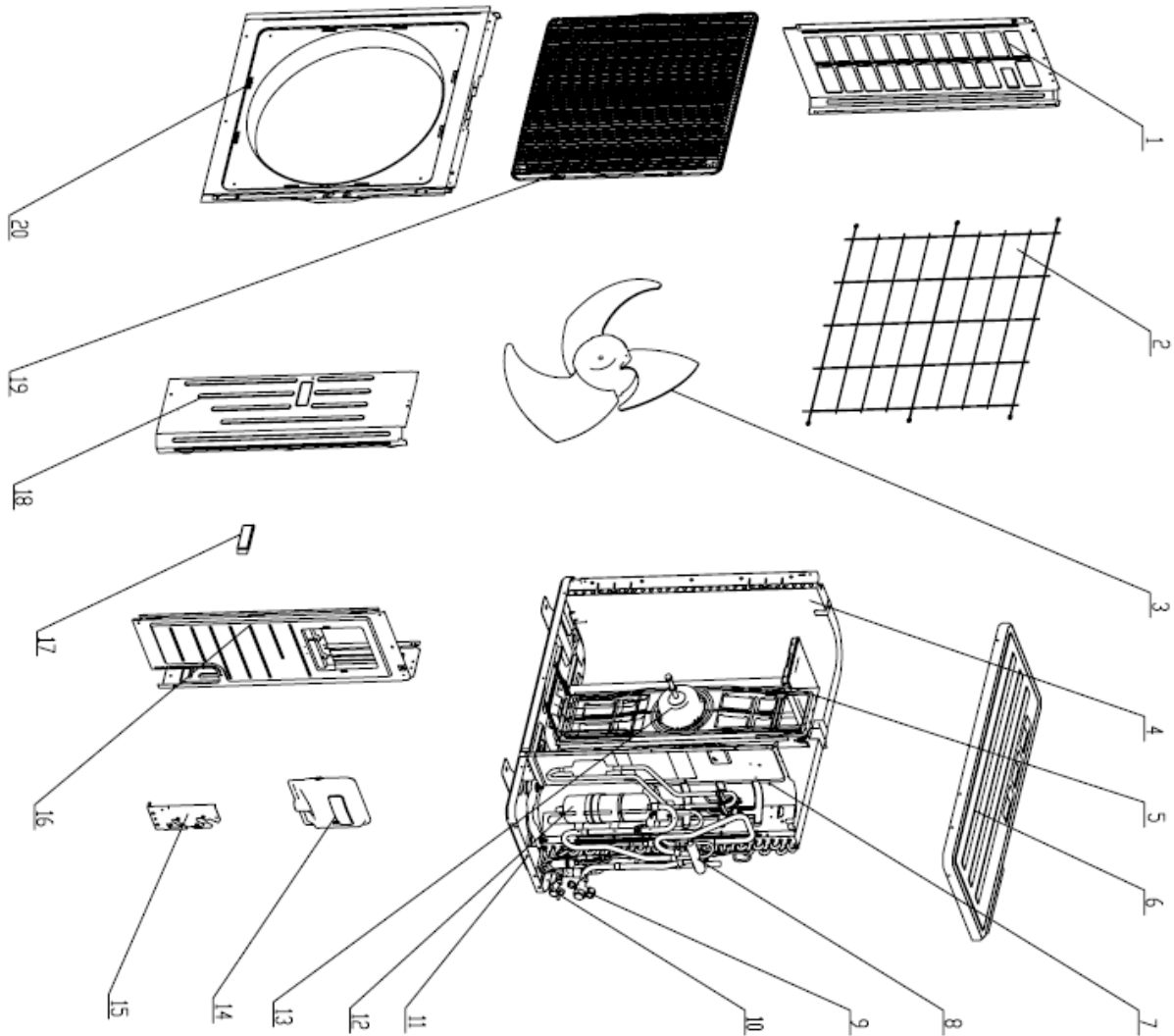
14.37 Exploded view of Outdoor unit: YIF024



14.38 Spare part list of Outdoor Unit YIF024

NO.	Part Code	Part Description	qty
1	22414102	Panel Grille	1
2	26235401	Small Handle	1
3	01433017P	Front Plate	1
4	01303251P	Front Side Plate	1
5	26235253	Handle	1
6	10335253	Axial-flow Fan	1
7	150154512	Motor LW92H	1
8	01705103	Motor Support	1
9	01255013P	Top Cover	1
10	01125262	Condenser Assy	1
11	01233024	Mid Clapboard Sub-Assy	1
12	430004002	4-way Valve Accessory	1
13	04145220	4-way Valve Assy	1
14	01395744	Electric Box Assy	1
15	44010222	Double Pole AC Contactor	1
16	30224058	Main Board	1
17	420111451	Terminal Board	1
18	01303115	Rear Side Plate Sub-Assy	1
19	01473028	Mesh Enclosure	1
20	420101851	Terminal Board	1
21	43110233	Transformer 48X26G	1
22	33010013	Capacitor CBB61	1
23	33000039	Capacitor	1
24	01715001	Valve Support Sub-Assy	1
25	07103030	Gas Valve Sub-Assy	1
26	00103709	Compressor ATH290CV-C9LU	1
27	01205201	Underpan Sub-Assy	1
	06813401	Choke Plug	3
	06123401	Drainage Connector	1
	430004032	4-way Valve	1
	46020007	Low Pressure Switch	1
	460200061	Pressure Switch	1
	00180253	Overload Protector	1
	76710238	Compressor Gasket	3
	01703027	Motor Support	1
	04324001	One-way Valve	1
	01173021	Condenser support plate	1
	07130209	Cut-off Valve	1
	42011103	Terminal Board 2-8	1
	3900012121G	Temperature Sensor	1
	765152121	Electric Heating Strip	1
	01413047	Electric Box Cover Plate	1
	3900012132G	Ambient Temperature Sensor	1

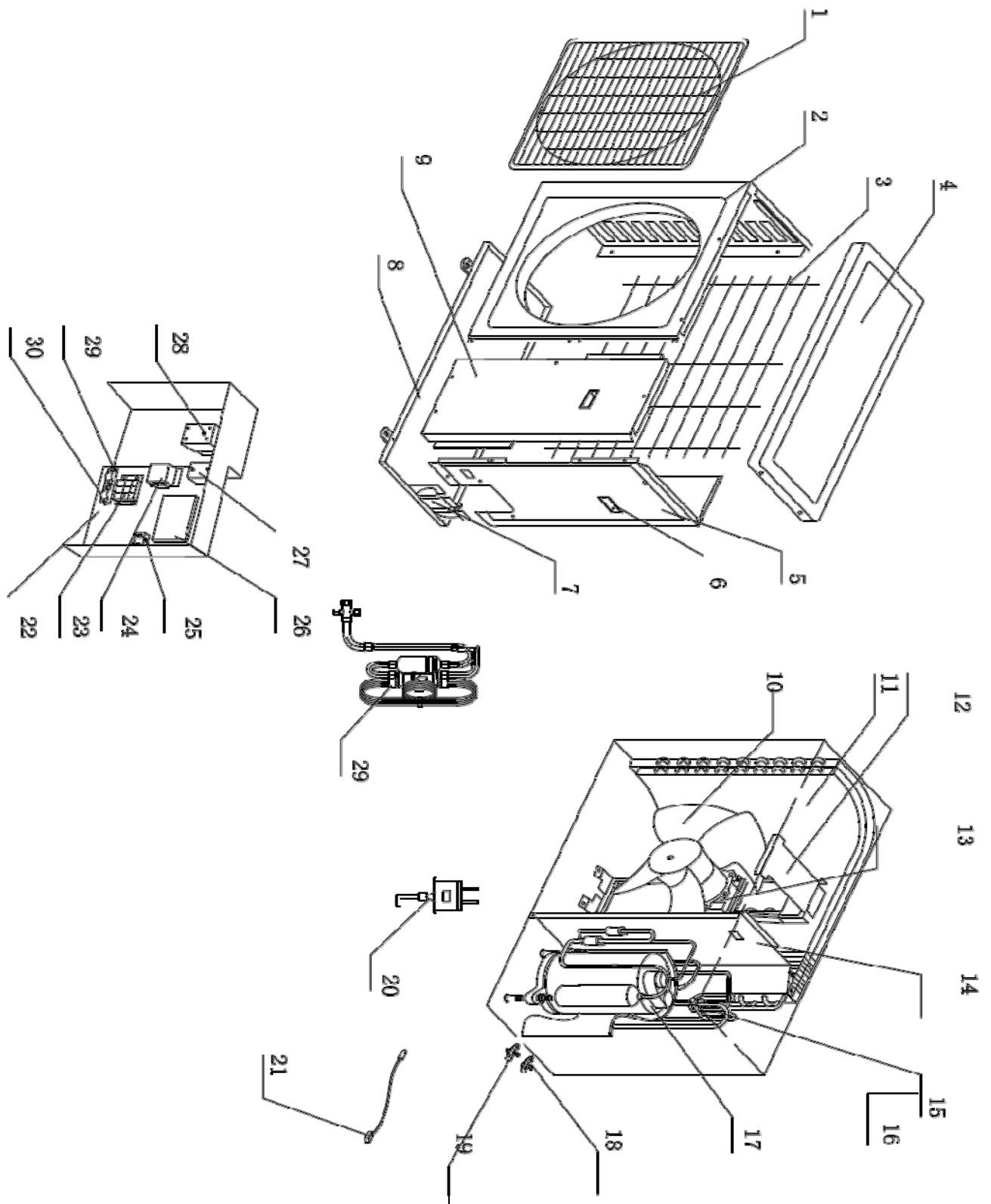
14.39 Exploded view of Outdoor unit: YIF030



14.40 Spare part list of Outdoor Unit YIF030

NO.	Part Code	Part Description	qty
1	01305043P	Left Side Plate	1
2	01475008	Rear Grill	1
3	10335005	Axial Flow Fan	1
4	01125339	Condenser Assy	1
5	01705016	Motor Support Sub-Assy	1
6	01255007	Top Cover Sub-Assy	1
7	01235061	Clapboard	1
8	04145321	4-way Valve Assy	1
9	07133157	Cut-off Valve	1
10	071302391	Cut-off Valve	1
11	01195236P	Chassis Sub-assy	1
12	00103105	Compressor	1
13	1501506207	Fan Motor	1
14	26235001	Big Handle	1
15	01715012P	Valve Support Sub-Assy	1
16	01305044P	Right Side Plate	1
17	26235401	Small Handle	2
18	01305072P	Front Side Plate	1
19	22415003	Front Grill	1
20	01435004P	Cabinet	1
21	33000039	Capacitor	1
22	43110233	Transformer 48X26G	1
23	44010222	Double Pole AC Contactor	1
24	01395631	Electric Box Assy	1
25	420111451	Terminal Board	1
26	420101851	Terminal Board	1
27	30224058	Main Board	1
28	33010009	Capacitor CBB61 7uF/450V	1
	06123401	Drainage Connector	1
	01175037	Condenser support plate	1
	42011147	Terminal Board	1
	00180270	Overload Protector	1
	76812206	Compressor Gasket	3
	02141375	Capacitor Clamp	1
	4300008201	4-way Valve	1
	460200061	Pressure Switch	1
	46020007	Low Pressure Switch	1
	06813401	Choke Plug	3
	765152123	electrical heater	1
	390001921G	Tube Sensor	1
	42010157	Terminal	2
	390002062G	Temperature Sensor	1
	20113003	Insulating Plate of Electric box Cover	1
	430004002	4-way Valve Accessory	1
	39000017G	Temperature Sensor	1

14.41 Exploded view of Outdoor unit: YIF036



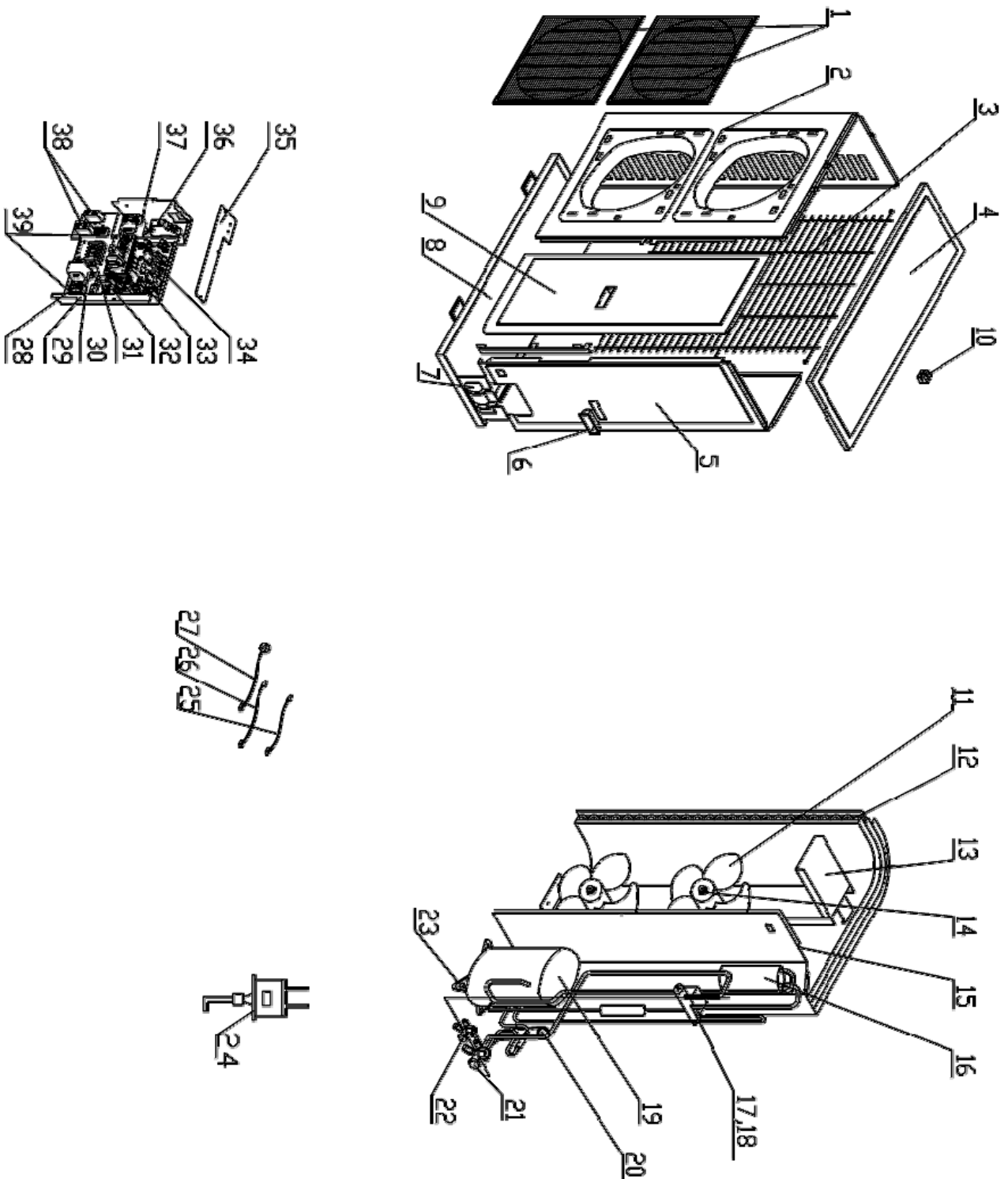
14.42 Spare part list of Outdoor Unit YIF036

NO.	Part Code	Part Description	qty
1	22265401	Front Grill	1
2	01435103P	Housing	1
3	01475401	Rear Grill	1
4	01255012P	Top Cover	1
5	01305402	Rear Side Plate Sub-Assy	1
6	26235253	Handle	2
7	01715402	Valve Support Sub-Assy	1
8	01205402	Underpan Sub-Assy	1
9	01305406	Front Side Plate Sub-Assy	1
10	10335401	Axial-flow Fan	1
11	01125245	Condenser Assy	1
12	01705402	Motor Support Sub-Assy	1
13	150154011	Motor LW92D	1
14	01235403	Clapboard Sub-Assy	1
15	43000338	4-way Valve	1
16	430004002	4-way Valve Accessory	1
17	00205226	Compressor	1
18	07130212	Cut-off Valve	1
19	07130210	Cut-off Valve	1
20	460200061	Pressure Switch	1
21	3900012128G	Tube sensor	1
22	01395757	Electric Box Assy	1
23	420101851	Terminal Board	1
24	4311023302	Transformer	1
25	420111451	Terminal Board	1
26	30224058	Main Board	1
27	33010013	Capacitor CBB61	1
28	44010254	AC Contactor	1
	42011147	Terminal Board	1
	33000039	Capacitor	1
	39000017G	Temperature Sensor	1
	26235401	Small Handle	1
	06123401	Drainage Connector	1
	46020007	Low Pressure Switch	1
	04675735	Inhalation Tube Sub-Assy	1
	07255403	Vapor Liquid Separator Components	1
	42020063	Sensor Insert	1
	06813401	Choke Plug	2
	76515404	Electric Heater Band	1
	76710209	Compressor Gasket M-0101-DSB	3
	01175402	Condenser support assy	1

14.43 Spare part list of Outdoor Unit YIF036T

NO.	Part Code	Part Description	qty
1	22265401	Front Grill	1
2	01435103P	Housing	1
3	01475401	Rear Grill	1
4	01255012P	Top Cover	1
5	01305402	Rear Side Plate Sub-Assy	1
6	26235253	Handle	2
7	01715402	Valve Support Sub-Assy	1
8	01205403	Underpan Assy	1
9	01305403	Front Side Plate	1
10	10335401	Axial-flow Fan	1
11	01125245	Condenser Assy	1
12	01705402	Motor Support Sub-Assy	1
13	150154011	Motor LW92D	1
14	01235403	Clapboard Sub-Assy	1
15	43000338	4-way Valve	1
16	430004002	4-way Valve Accessory	1
17	00129050	Compressor and Fittings	1
18	07130212	Cut-off Valve	1
19	07130210	Cut-off Valve	1
20	460200061	Pressure Switch	1
21	3900012128G	Tube sensor	1
22	01395511	Electric Box Assy	1
23	420101851	Terminal Board	1
24	4311023302	Transformer	1
25	42011103	Terminal Board 2-8	1
26	30224058	Main Board	1
27	33010013	Capacitor CBB61	1
28	44010226	AC Contactor	1
	76515202	Cable-Cross Loop	2
	42011147	Terminal Board	1
	42011043	Terminal Board	1
	46020052	Anti-phase Protector	1
	07220016	Bidirection Strainer	1
	04675735	Inhalation Tube Sub-Assy	1
	76710209	Compressor Gasket M-0101-DSB	3
	76515404	Electric Heater Band	1
	3900012132G	Ambient Temperature Sensor	1
	39000017G	Temperature Sensor	1
	42010157	Terminal	2
	01175402	Condenser support assy	1
	06813401	Choke Plug	2
	07255403	Vapor Liquid Separator Components	1
	01305406	Front Side Plate Sub-Assy	1
	26235401	Small Handle	1
	06123401	Drainage Connector	1
	46020115	Over Current Protector	1
	05212423	Tube Sensor Bushing	1
	49010252	Radiator	1
	46020007	Low Pressure Switch	1

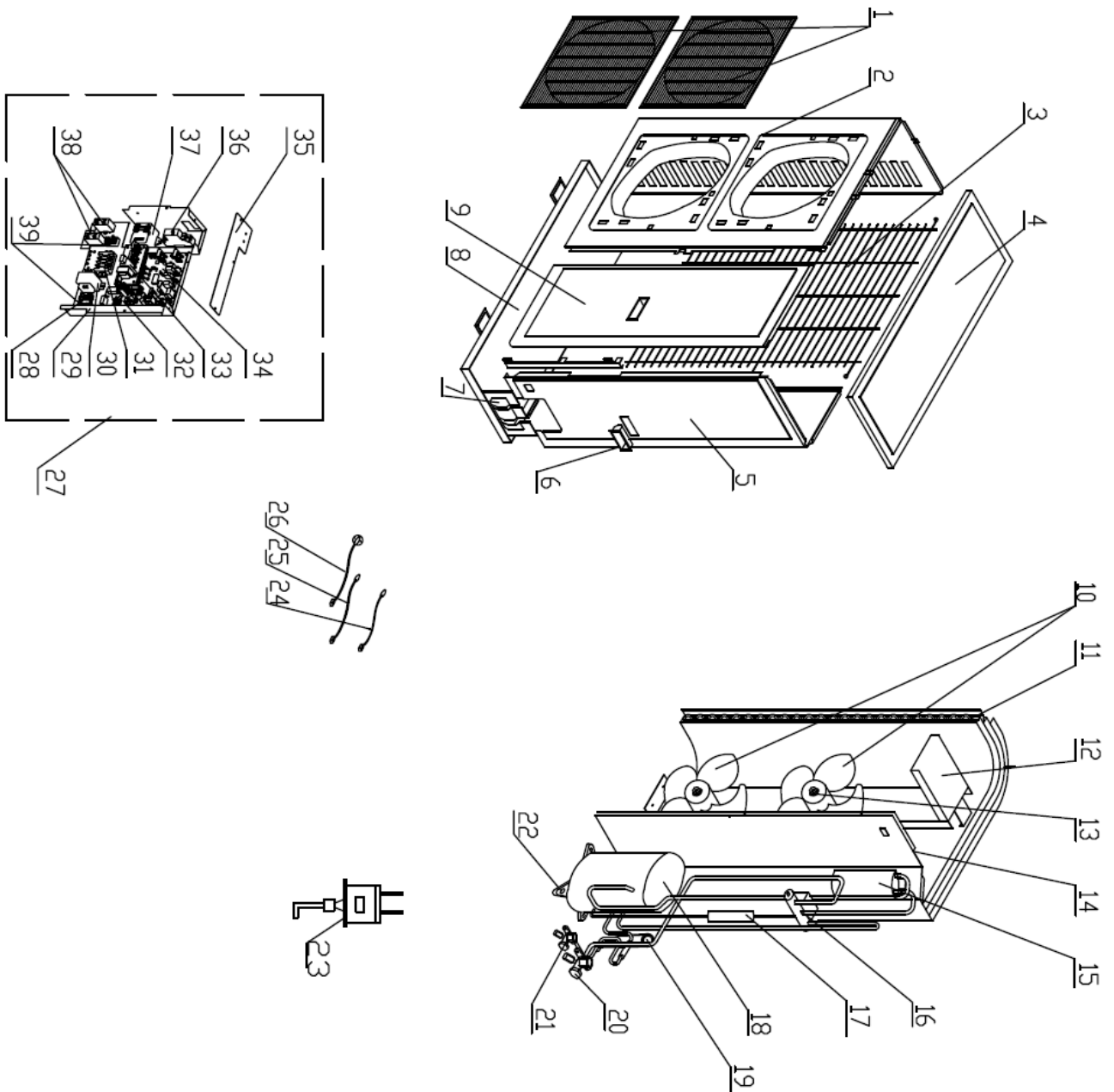
14.44 Exploded view of Outdoor unit: YIF042



14.45 Spare part list of Outdoor Unit YIF042

NO.	Part Code	Part Description	qty
1	22414102	Panel Grille	2
2	01435436	Front Plate	1
3	01475432	Rear Grill	1
4	01255013P	Top Cover	1
5	01303712	Rear Side Plate Sub-Assy	1
6	26235253	Handle	3
7	01715001	Valve Support Sub-Assy	1
8	01205433	Underpan Sub-Assy	1
9	01305430	Front Side Plate Sub-Assy	1
10	10338731	Axial Flow Fan ϕ 472X165	2
11	01125246	Condenser Assy	1
12	01705433	Motor Support Sub-Assy	1
13	15013110	Fan Motor	2
14	01235440	Clapboard Sub-Assy	1
15	07225018	Gas-liquid Separator Sub-Assy	1
16	43000338	4-way Valve	1
17	04145228	4-way Valve Sub-Assy	1
18	00129051	Compressor and Fittings	1
21	07130212	Cut-off Valve	1
22	76710209	Compressor Gasket M-0101-DSB	3
23	460200061	Pressure Switch	1
24	3900012129G	Discharge sensor	1
25	3900012121G	Temperature Sensor	1
26	39000285	Temperature Sensor	1
27	01395748	Electric Box Assy	1
28	420101851	Terminal Board	1
30	43110171	Transformer	1
31	42011043	Terminal Board	1
33	46020112	Over Current Protector	1
34	30224058	Main Board	1
36	44010226	AC Contactor	1
37	46020052	Anti-phase Protector	1
38	33010010	Capacitor CBB61 3.5kuF/450V	2
39	42011103	Terminal Board 2-8	2
	06123401	Drainage Connector	1
	06813401	Choke Plug	3
	43110242	Power Transformer	1
	46020007	Low Pressure Switch	1
	430004002	4-way Valve Accessory	1
	071302392	"Valve 1/2"'"	1
	01895203	Condenser support sub-assy	1
	04675319	Inhalation Tube Sub-Assy	1
	76515404	Electric Heater Band	1

14.46 Exploded view of Outdoor unit: YIF060



14.47 Spare part list of Outdoor Unit YIF060

NO.	Part Code	Part Description	qty
1	22414102	Panel Grille	2
2	01435436	Front Plate	1
3	01475432	Rear Grill	1
4	01255472	Top Cover	1
5	01303712	Rear Side Plate Sub-Assy	1
6	26235253	Handle	3
7	01715001	Valve Support Sub-Assy	1
8	01205472	Underpan Sub-Assy	1
9	01305431	Front Side Plate	1
10	10335253	Axial-flow Fan	2
11	01125292	Condenser Assy	1
12	01705471	Motor Support Sub-Assy	1
13	15701108	Motor LW92R	2
14	01235473	Mid Clapboard Sub-Assy	1
15	07225016	Gas-liquid Separator Assy	1
16	43000338	4-way Valve	1
17	04145277	4-way Valve Sub-Assy	1
18	00129052	Compressor and Fittings	1
21	07130212	Cut-off Valve	1
22	76710209	Compressor Gasket M-0101-DSB	3
23	460200061	Pressure Switch	1
24	3900012121G	Temperature Sensor	1
25	3900012129G	Discharge sensor	1
26	39000285	Temperature Sensor	1
27	01395746	Electric Box Assy	1
28	420101851	Terminal Board	1
30	43110171	Transformer	1
31	42011043	Terminal Board	1
33	46020103	Over Current Protector	1
34	30224058	Main Board	1
36	44010213	AC Contactor	1
37	46020052	Anti-phase Protector	1
38	33010037	Capacitor	2
39	42011103	Terminal Board 2-8	2
	06123401	Drainage Connector	1
	49010252	Radiator	1
	06813401	Choke Plug	3
	42010157	Terminal	2
	43110242	Power Transformer	1
	036390664	Inhalation Tube Sub-Assy	1
	430004002	4-way Valve Accessory	1
	07130210	Cut-off Valve	1
	49010104	Magnetic Ring	1
	02145435	Liquid Accumulator Clamp	1
	46020007	Low Pressure Switch	1
	76515404	Electric Heater Band	1

APPENDIX