

LOUISIANA XLS

Floor / wall mounted Split-System

R-407C



	Cooling capacity (W)	Heating Capacity (W)
XLS 7	1980	2240
XLS 9	2500	2720
XLS 12	3230	3500

Airwell

INDIVIDUAL COMFORT RANGE

TECHNICAL DATA
TM 03XLS1 E A
Cancels and replaces: -



LOUISIANA XLS

The LOUISIANA XLS symbolises the latest trends in interior aesthetics. Currently, the air conditioners in this range represent an alternative to other wall mounted air conditioners available on the market, by offering the very latest technology for optimising comfort and simplifying usage. These air conditioners harmonise perfectly with any decor, thanks to their "High Tech" control panels and their slim design. They provide levels of discretion and elegance matching the latest demands for domestic and tertiary sector interior design.

They provide new comfort levels in terms of:

- Size: they are only 14 cm deep.
- Air distribution quality, with treated air being blown in four directions. The user has the possibility of closing 1 or 2 flaps to optimise comfort in relation to the chosen mode:
 - **Cooling mode:** the air blown up towards the ceiling progressively falls for more balanced distribution for cooling the room.
 - **Heating mode:** the air blown down towards the floor progressively rises for better distribution throughout the room.
 - **Lateral blowing:** ensures even distribution of the remaining air without creating feelings of draughts.
- Air quality is optimised. In addition to the standard air filter, AS air conditioners have a "high efficiency" electrostatic filter. Particulates such as tobacco smoke, pollen etc. are absorbed, thus ensuring an irreproachable air quality. A warning light indicates when it is time to clean the filter.

The LOUISIANA XLS air conditioner offers exceptionally quiet air conditioning: 29 dBA.

REGULATION

A CHOICE OF MULTI FUNCTION REMOTE CONTROLS WITH LEADING EDGE ERGONOMIC DESIGN.

- INFRA RED REMOTE CONTROL with a range of 8 metres.
- WALL MOUNTED CONTROL available as an accessory: hardwired or infra red.
- PRINCIPAL FUNCTIONS
 - Automatic Cooling / Heating regulation
 - 3 fan speeds
 - Automatic ventilation
 - I FEEL function
 - Night time slow running
 - Dehumidification
 - 2 daily programming ranges
 - Backlit LCD display

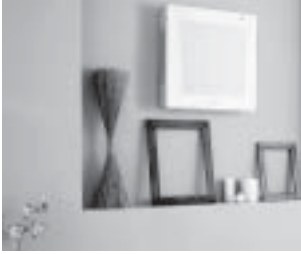
Thanks to its microprocessor, the air conditioner automatically manages user comfort. Programming enables deferred operation or system starting/stopping, thus optimising energy savings.

The user has access to 2 different daily programming ranges.

Night time slow running

This function adapts the temperature to obtain the ideal rest environment with optimised energy savings. In both Heating and Cooling mode it is possible to programme automatically 3 different set temperature levels. Energy savings represent 7% per degree, representing a significant reduction in energy consumption.

LOUISIANA XLS



ACCESSORIES

- Supplied with the air conditioner



- To be ordered:
 - Condensate drainage pump (71CVF0289)
 - Pipe connections in lengths of 2.5, 5 and 8 m.
 - RCW 2 wall mounted remote control
 - Wall bracket for outdoors unit



LOUISIANA XLS

TECHNICAL SPECIFICATIONS

UNIT TYPE		XLS 7	XLS 9	XLS 12
Refrigerant		R407C		
Power supply		~230V - 50Hz		
Voltage limits		198V - 254V		
Nominal cooling capacity	W	1980	2500	3230
Nominal power input	W	770	1050	1310
Nominal heating capacity	W	2240	2720	3500
Nominal power input	W	720	990	1360
Coefficient of Performance	W/W	3.1	4.3	5.9

INDOORS UNIT

AIRFLOW				
High speed	m ³ /h	340	420	460
VENTILATION		Centrifugal		
Fan capacity	W	7	9	12
NOISE LEVEL				
Low speed	dB(A)	29	35	35
Medium speed	dB(A)	32	37	38
High speed	dB(A)	35	39	42
DIMENSIONS AND WEIGHT				
Width x Depth x Height	mm	570 x 140 x 570		
Net weight	kg	14		
Packed dimensions	mm	710 x 255 x 710		

OUTDOORS UNIT

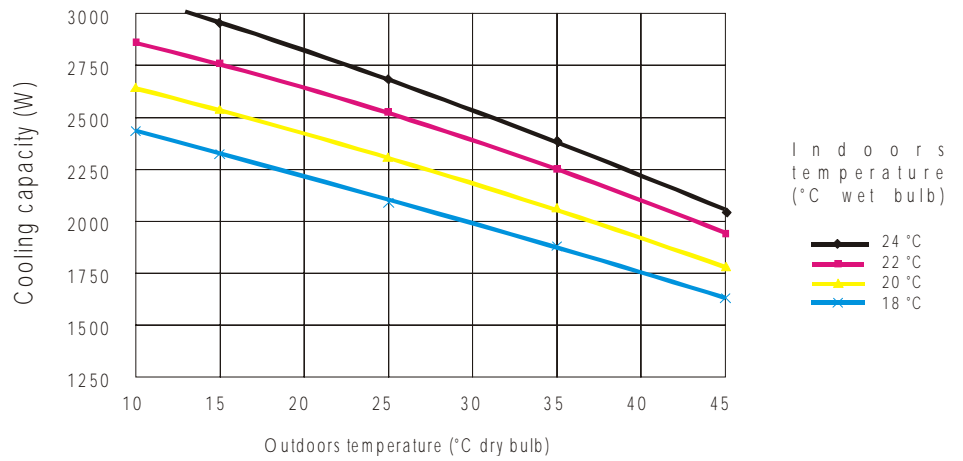
COMPRESSOR		Rotary		
VENTILATION		helicoïde		
Fan capacity	W	75	75	93
NOISE LEVEL	dB(A)	40	41	42
DIMENSIONS AND WEIGHT				
Width x Depth x Height	mm	770 x 245 x 545		
Net weight	kg	30	32	37
Packed dimensions	mm	880 x 310 x 610		



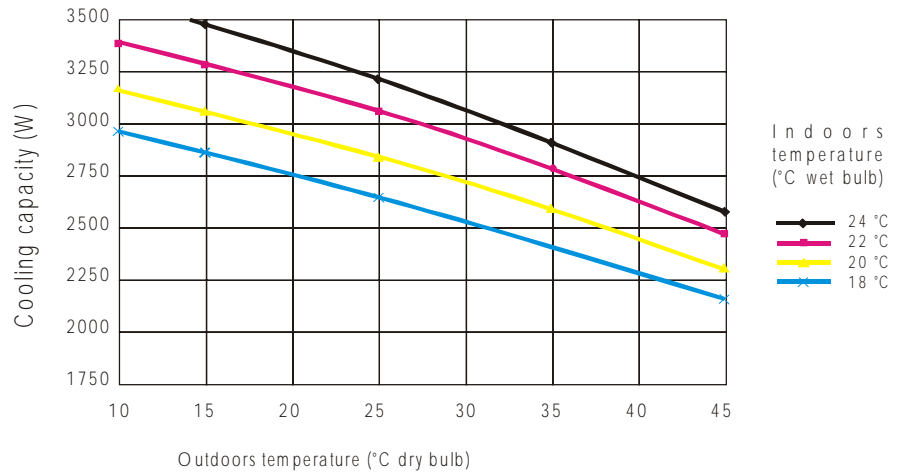
LOUISIANA XLS

COOLING CAPACITY

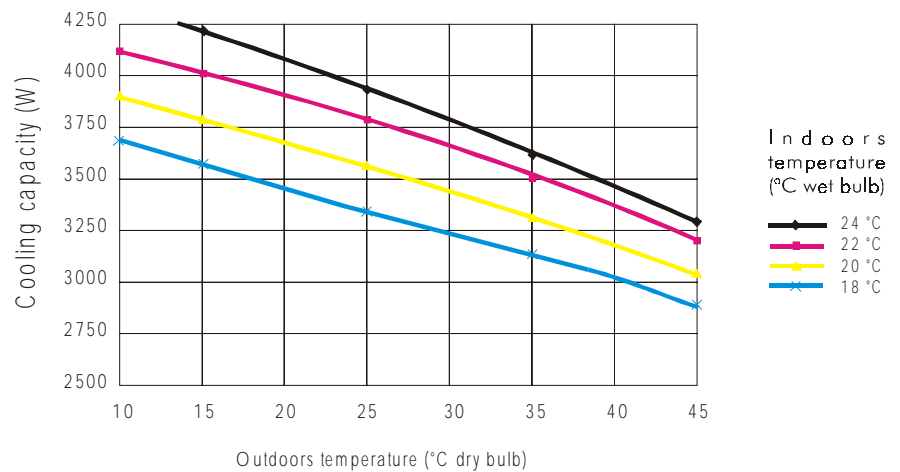
XLS 7



XLS 9



XLS 12

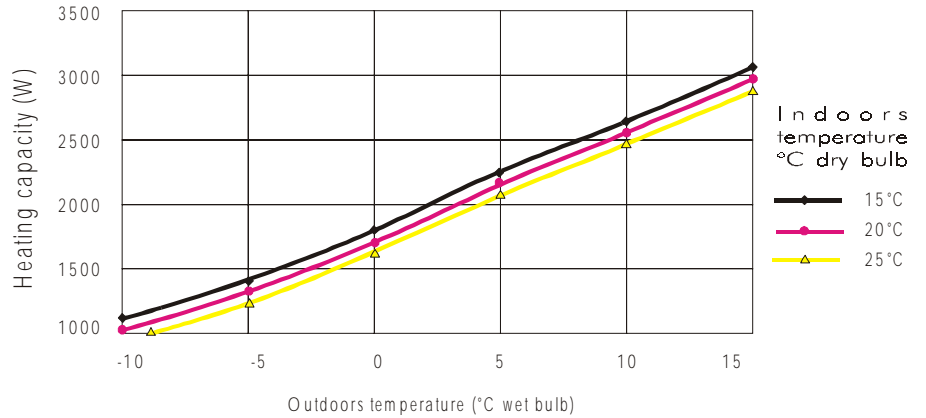




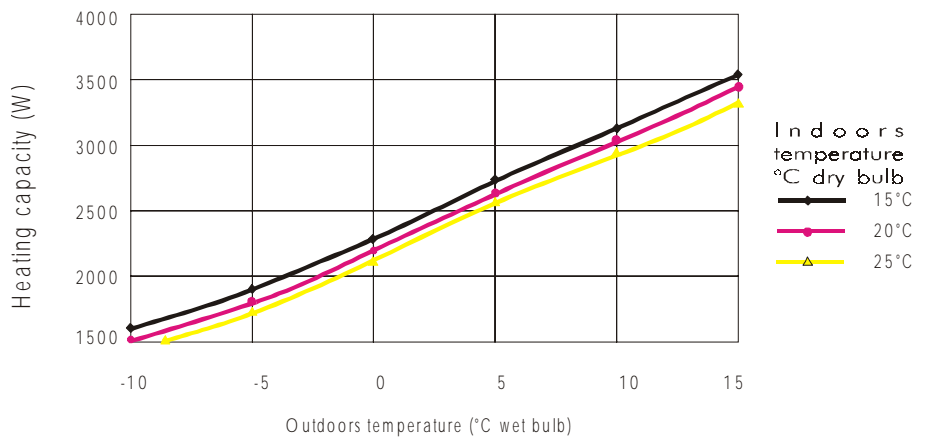
LOUISIANA XLS

HEATING CAPACITY

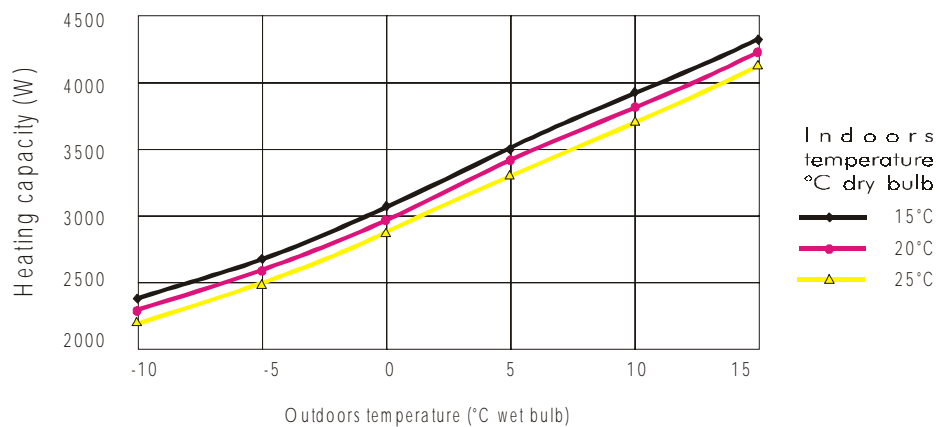
XLS 7



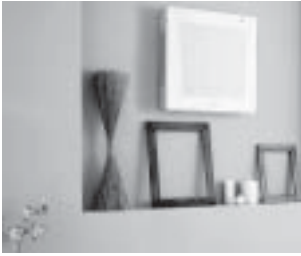
XLS 9



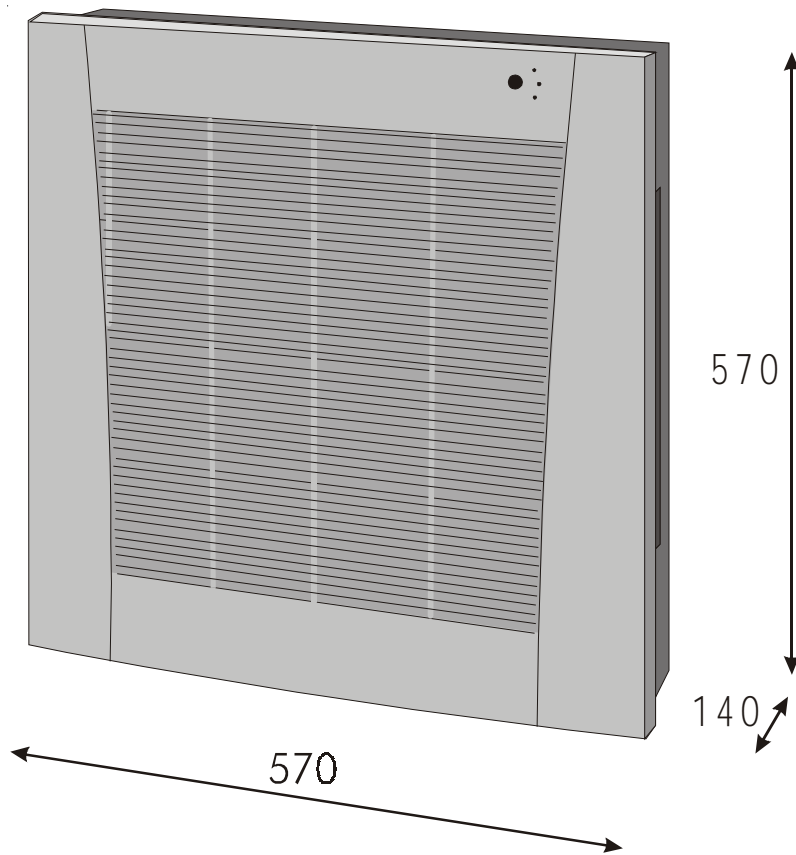
XLS 12



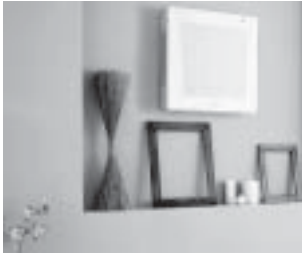
LOUISIANA XLS



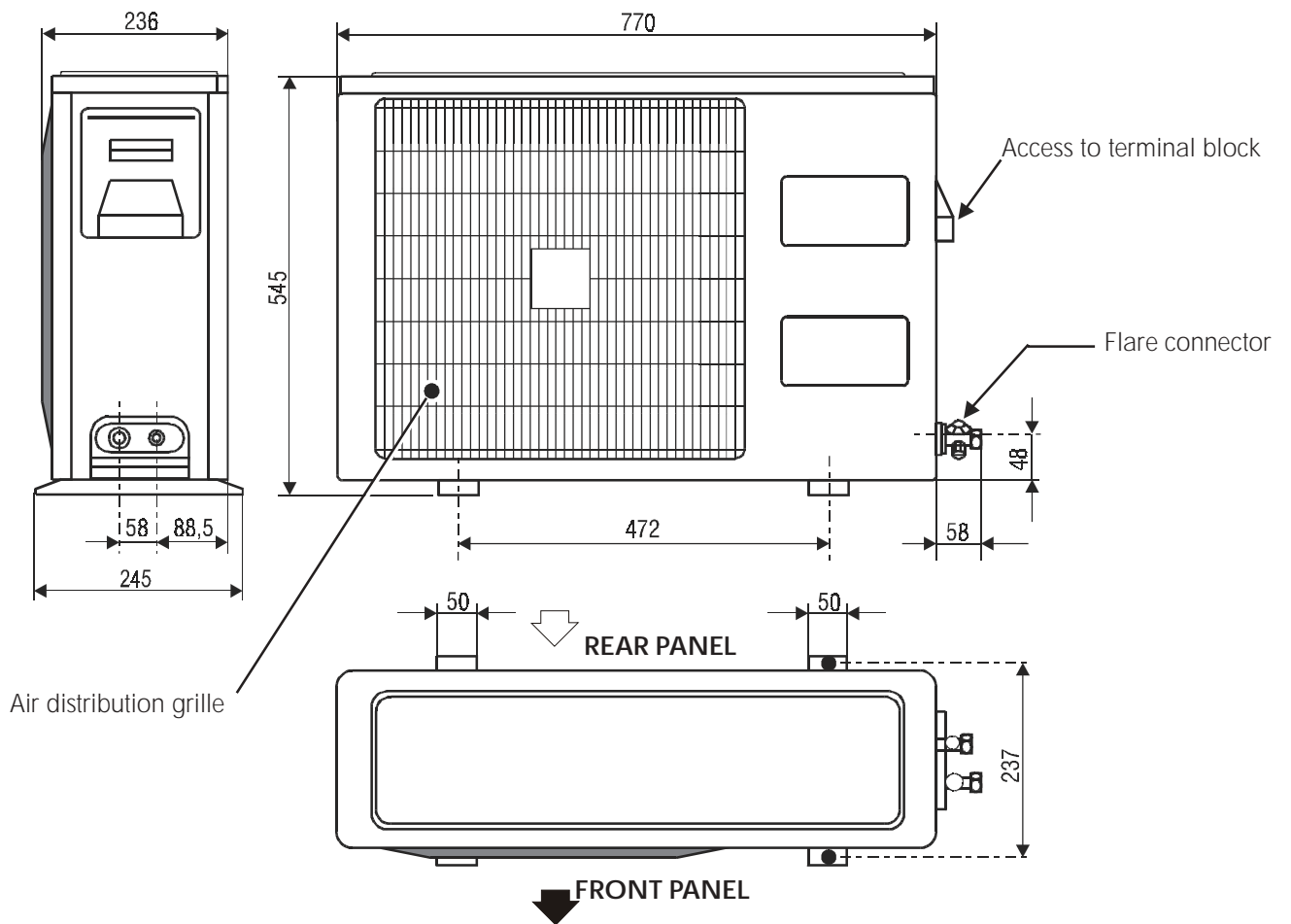
DIMENSIONS
Indoors unit

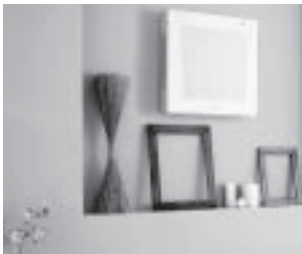


LOUISIANA XLS



DIMENSIONS Outdoors unit



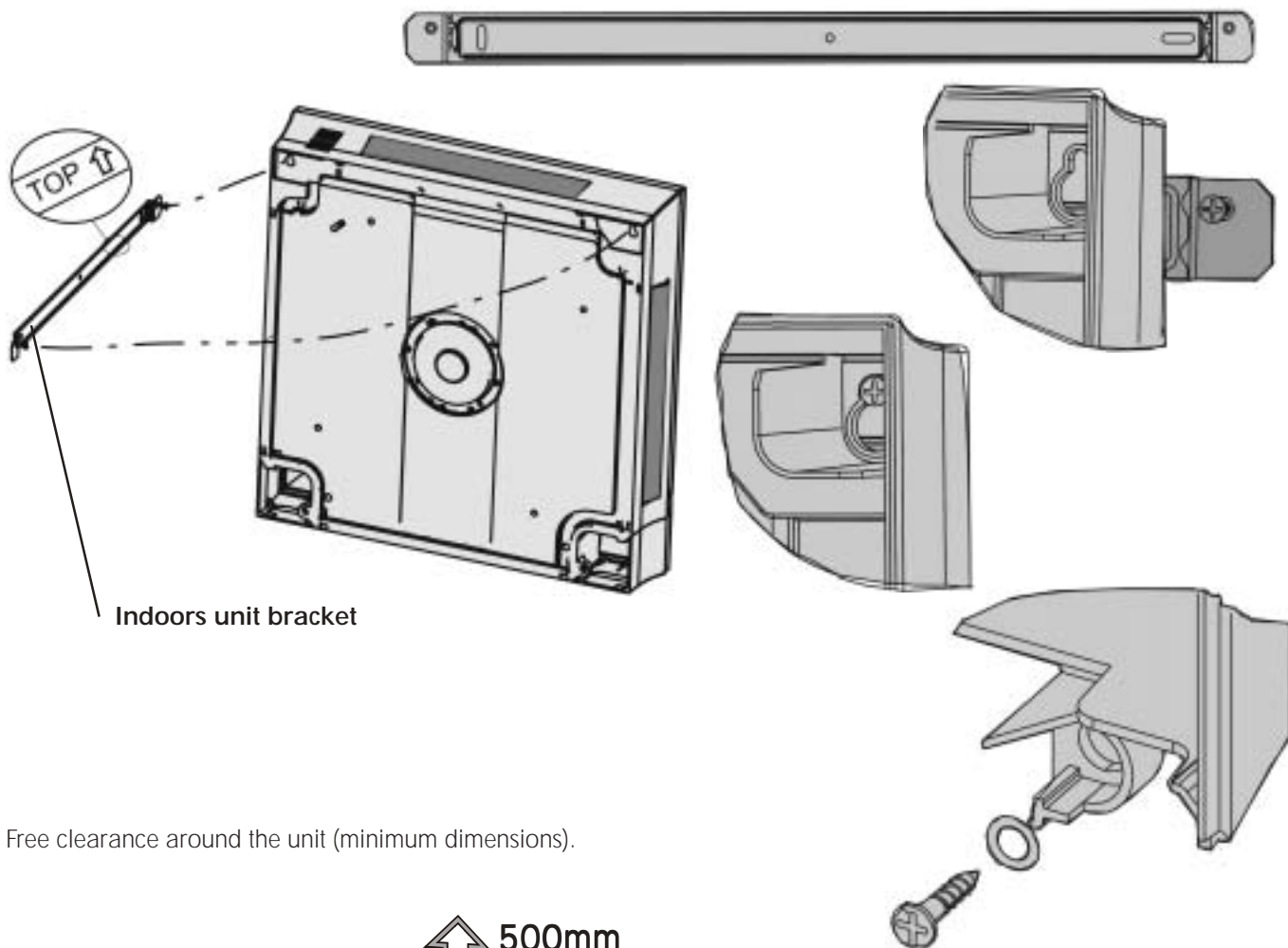


LOUISIANA XLS

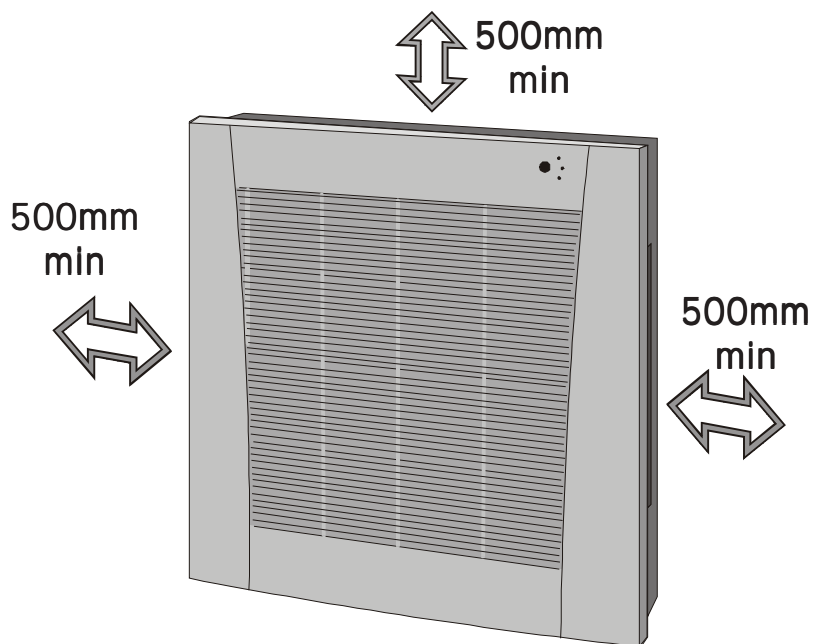
INSTALLATION

Bracket supplied with the unit.

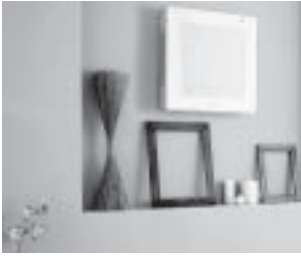
For detailed assembly instructions refer to the installation instructions manual supplied with the equipment.



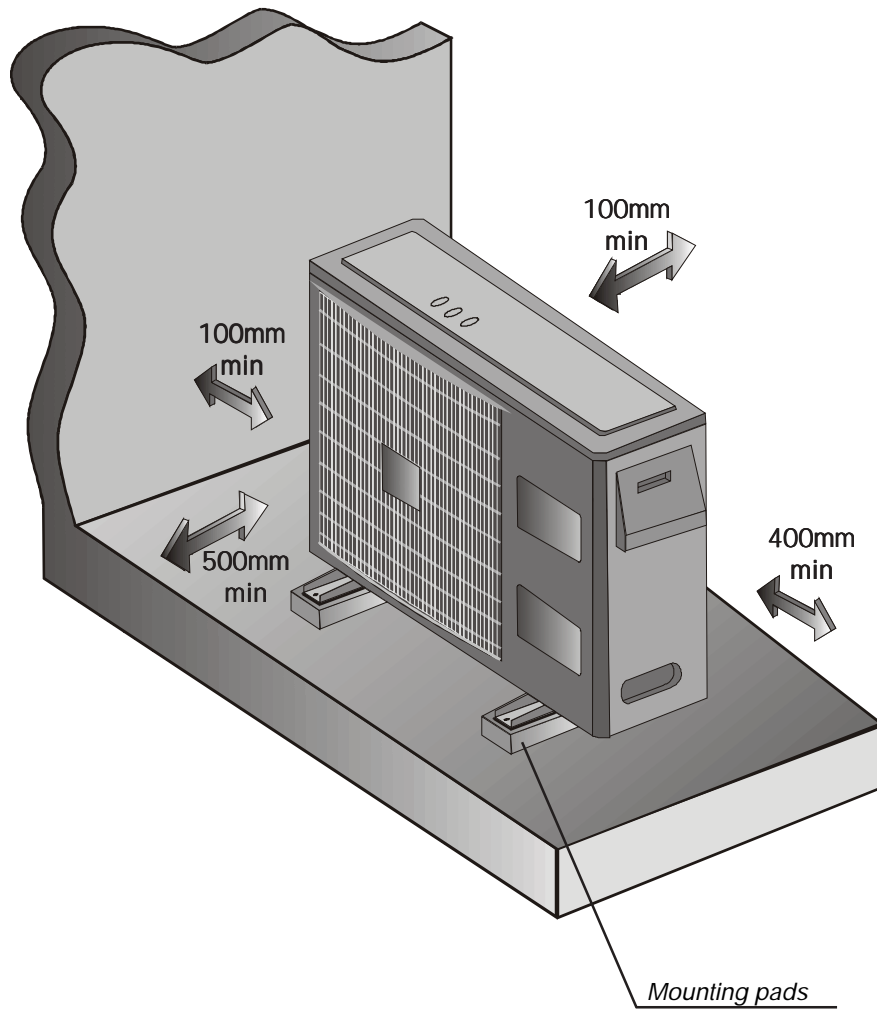
Free clearance around the unit (minimum dimensions).



LOUISIANA XLS

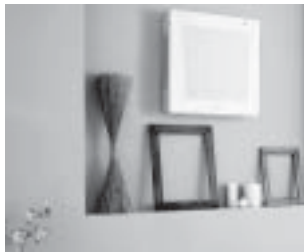


INSTALLATION



The indoors unit can be hung on the wall with the aid of a bracket (option), or it can be placed on the floor (raised off the ground).

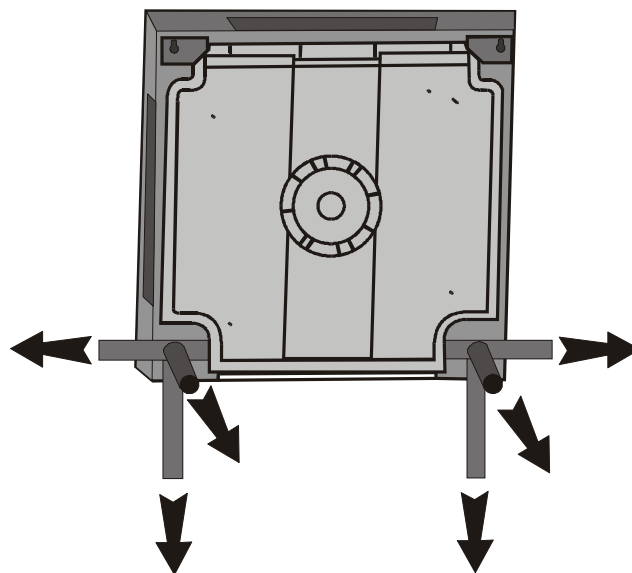
LOUISIANA XLS



P I P E CONNECTIONS

INDOORS UNIT

There are six different possibilities for connecting the indoors unit pipe work.

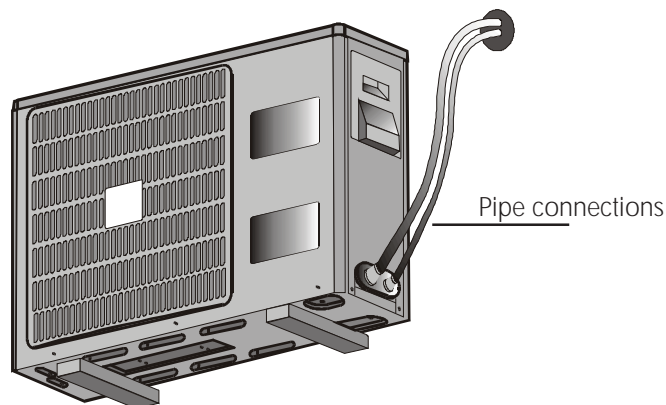


OUTDOORS UNIT

The R407C refrigerant charge is contained solely in the outdoors unit. The charge is sufficient **for pipe lengths up to 4 m**.

The indoors unit contains a small amount of neutral gas.

After having made the pipe connections, the links between the indoors and outdoors unit must be vacuum drained (Refer to the Installation Instructions Manual).

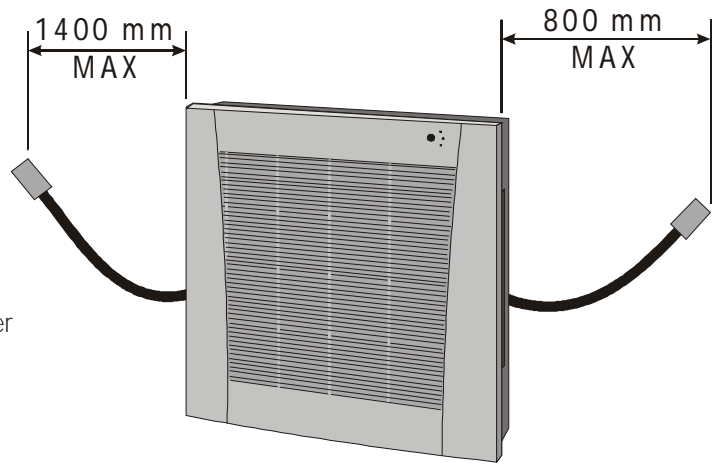


UNIT TYPE		XLS7	XLS9	XLS12
REFRIGERANT		R407C		
CHARGE (4 m)	g	590	810	1130
Additional charge 4 m < length < 8 m		+5 g/m		
Additional charge Length > 8 m		+9g/m		
Liquid pipe diameter	"	1/4		
"Gas" pipe diameter	"	3/8		1/2
Connectors		flare		
Max pipe lengths	m	10	10	12
Max. height difference	m	6		

LOUISIANA XLS



ELECTRICAL CONNECTIONS



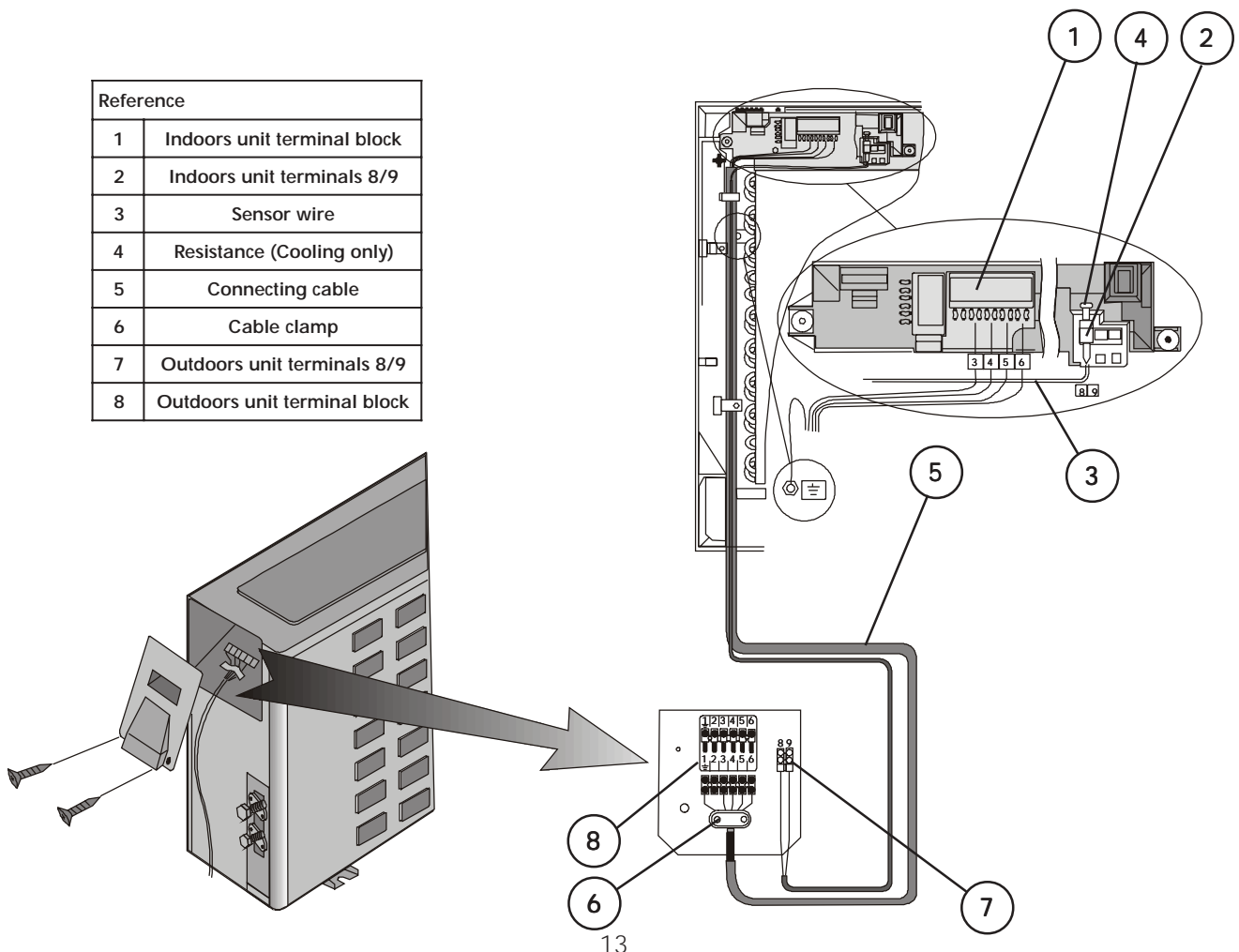
Power supply to XLS by lead with plug supplied or power cable: 3 x 1.5 mm².

Connection cables

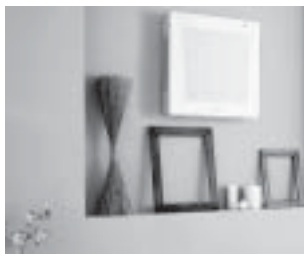
For Cooling only units:
4 x 1.5 mm²

For Heatpump units:
5 x 1.5 mm² and
2 x 0.5 mm² (to be connected in the place of the resistance, ref: 4)

Reference	
1	Indoors unit terminal block
2	Indoors unit terminals 8/9
3	Sensor wire
4	Resistance (Cooling only)
5	Connecting cable
6	Cable clamp
7	Outdoors unit terminals 8/9
8	Outdoors unit terminal block



LOUISIANA XLS



IN F R A R E D REMOTE CONTROL

RESET FUNCTION :

- 1) Remove the battery.
- 2) Simultaneously press these 4 keys until the symbols disappear.
- 3) Replace the battery.

The 4 keys concerned are:

HOUR	

Note :
Flip open the cover/flap to gain access to the controls.

- 1) START / STOP key
- 2) Operating mode selection key: COOLING, HEATING, AUTOMATIC COOLING/HEATING REGULATION, VENTILATION, DEHUMIDIFICATION
- 3) FEEL key: local temperature sensing
- 4) VENTILATION SPEED or AUTOMATIC VENTILATION selection key
- 5) Key for raising ambient temperature
- 6) Key for lowering ambient temperature
- 7) SLEEP key
- 8) Inactive key
- 9) Inactive key
- 10) PROGRAMMING mode selection key
- 11) "+" key for raising set temperature and increasing operating time
- 12) "-" key for lowering set temperature and decreasing
- 13) Liquid crystal display
- 14) I FEEL sensor
- 15) Infra red signal emitter
- 16) ROOM key: ambient temperature display
- 17) SET key for setting the PROGRAMMING STOP and/or START times
- 18) CLEAR key for erasing the timer parameters
- 19) LOCK key

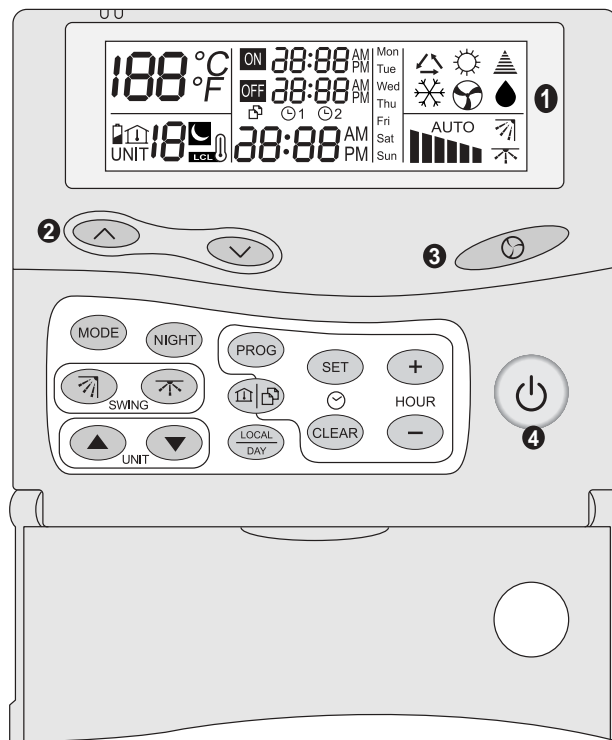
LOUISIANA XLS



RCW WALL MOUNTED REMOTE CONTROL (Accessory)

A wall mounted hardwired or infra red remote control is available as an accessory. It groups together all the air conditioning management functions of your air conditioner (refer to description below).

Being very simple to use, it enables precise management of from 1 to 15 different temperature zones and of up to 32 different indoors units



- ① Display screen.
- ② Keys for raising and lowering the set temperature.
- ③ Ventilation mode selection:
 - ▄ Low Speed
 - ▄▄ Medium Speed
 - ▄▄▄ High speed
 - AUTO** Automatic speed selection.
- ④ ON / Standby
- Ⓢ Accessing the time setting mode.
- Ⓡ Advancing the time setting.
- Ⓣ Retarding the time setting.
- Ⓢ CLEAR Clearing memory of programmed time settings in programming mode
- Ⓢ LOCAL DAY Day of the week selection key or sending "I feel" local temperature setting.
- Ⓢ PROG Programming mode key.
- Ⓢ COPY "Copy" key, enabling zone parameters to be duplicated for other zones.
- Ⓢ MODE Operating mode selection.
- Ⓢ NIGHT Day /Night key
- Ⓢ ▲ Current zone setting: zone above.
- Ⓢ ▼ Current zone setting: zone below.
- Ⓢ Ⓢ Inactive key.
- Ⓢ Ⓢ Inactive key.

A.C.E Marketing

FRANCE :

1 bis, Avenue du 8 Mai 1945
Saint-Quentin-en-Yvelines
78284 GUYANCOURT Cedex

Tél. 33 1 39 44 78 00

Fax 33 1 39 44 11 55

www.airwell.com

ACE Klimatechnik GmbH

DEUTSCHLAND :

Berner Straße 43
60437 FRANKFURT/MAIN

Tel. 0 69/507 02-0

Fax 0 69/507 02-250

www.airwell.de

Itelco-Clima Srl

ITALY :

Via XXV April, 29
20030 BARLASSINA

Tel. 00 39 03.62.6801

Fax 00 39 03.626.80238

www.itelco-clima.com

Iber elco s.a.

SPAIN :

Ciències 71-81
Mòdul 5
POLIGONO PEDROSA
08908 L'HOSPITALET DE LLOBREGAT

Tel. 34-93-264 66 00

Fax 34-93-335 95 38

www.iberelco.es

Airwell



*Dans un souci d'amélioration constante, nos produits peuvent être modifiés sans préavis. Photos non contractuelles.
As part of our ongoing product improvement programme, our products are subject to change without prior notice. Non contractual photos.
In dem Bemühen um ständige Verbesserung können unsere Erzeugnisse ohne vorherige Ankündigung geändert werden. Fotos nicht vertraglich bindend.
A causa della politica di continua miglioria posta in atto dal costruttore, questi prodotti sono soggetti a modifiche senza alcun obbligo di preavviso.
Le foto pubblicate non danno luogo ad alcun vincolo contrattuale.
Con objeto de mejorar constantemente, nuestros productos pueden ser modificados sin previo aviso. Fotos no contractuales.*



ACE

1 bis, Avenue du 8 Mai 1945
Saint-Quentin-en-Yvelines
78284 GUYANCOURT Cedex

